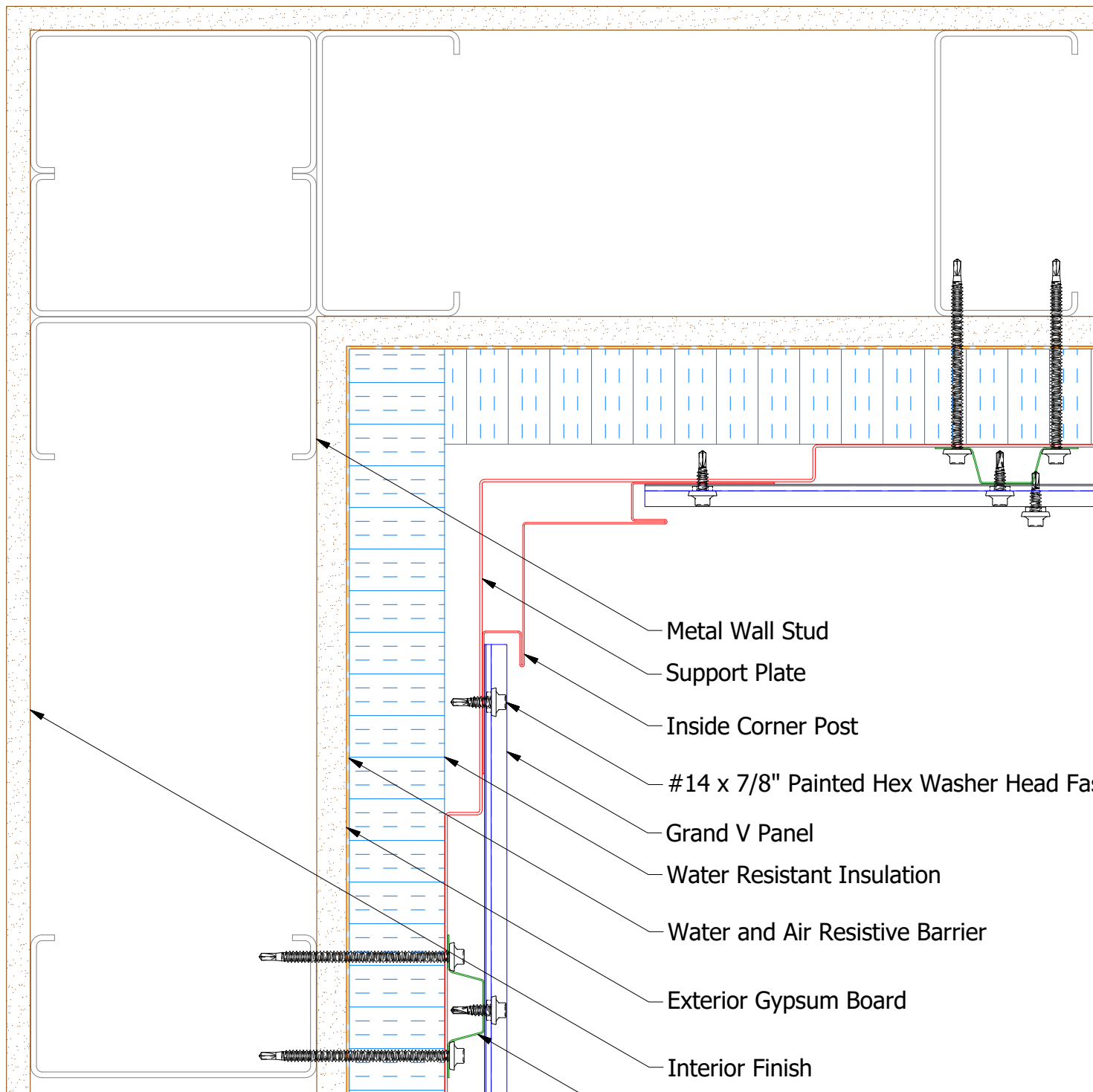
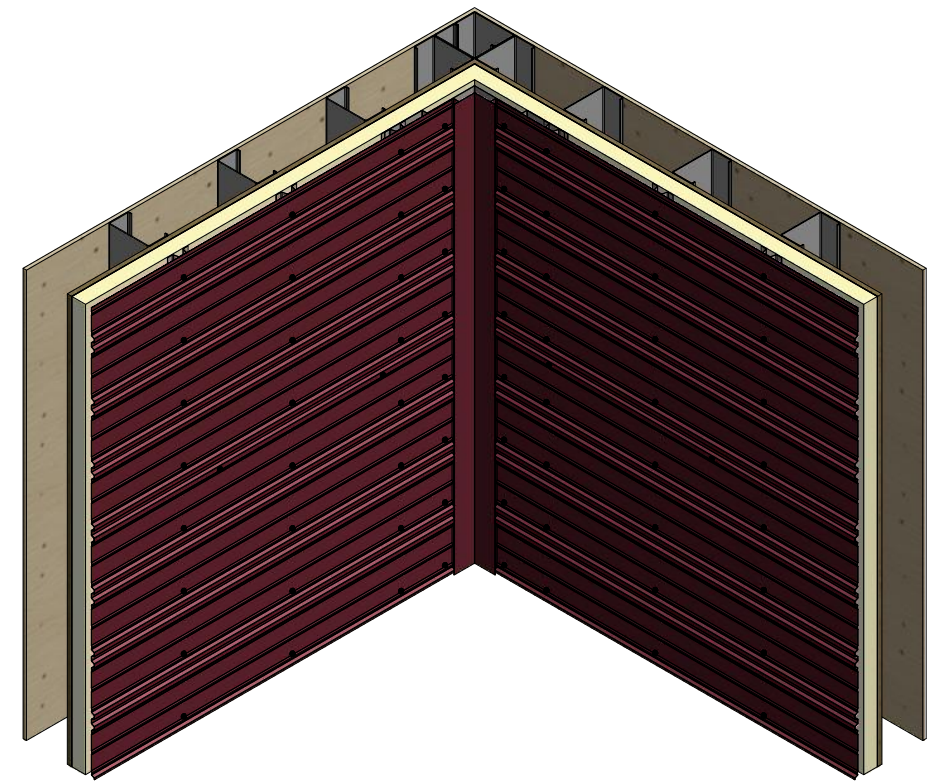
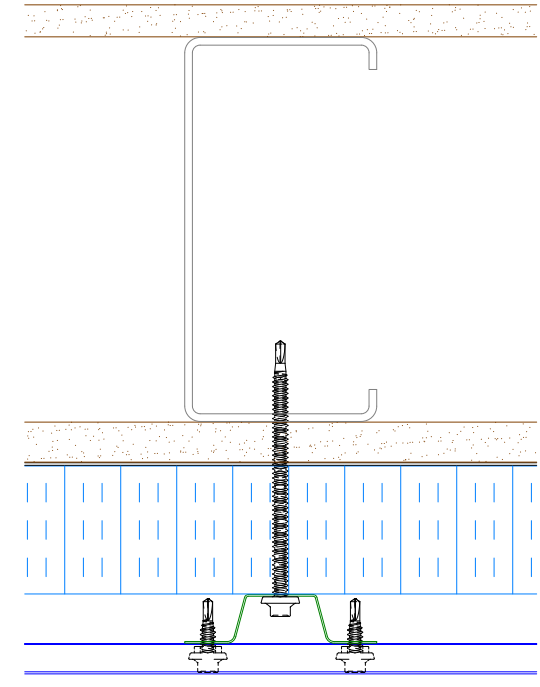


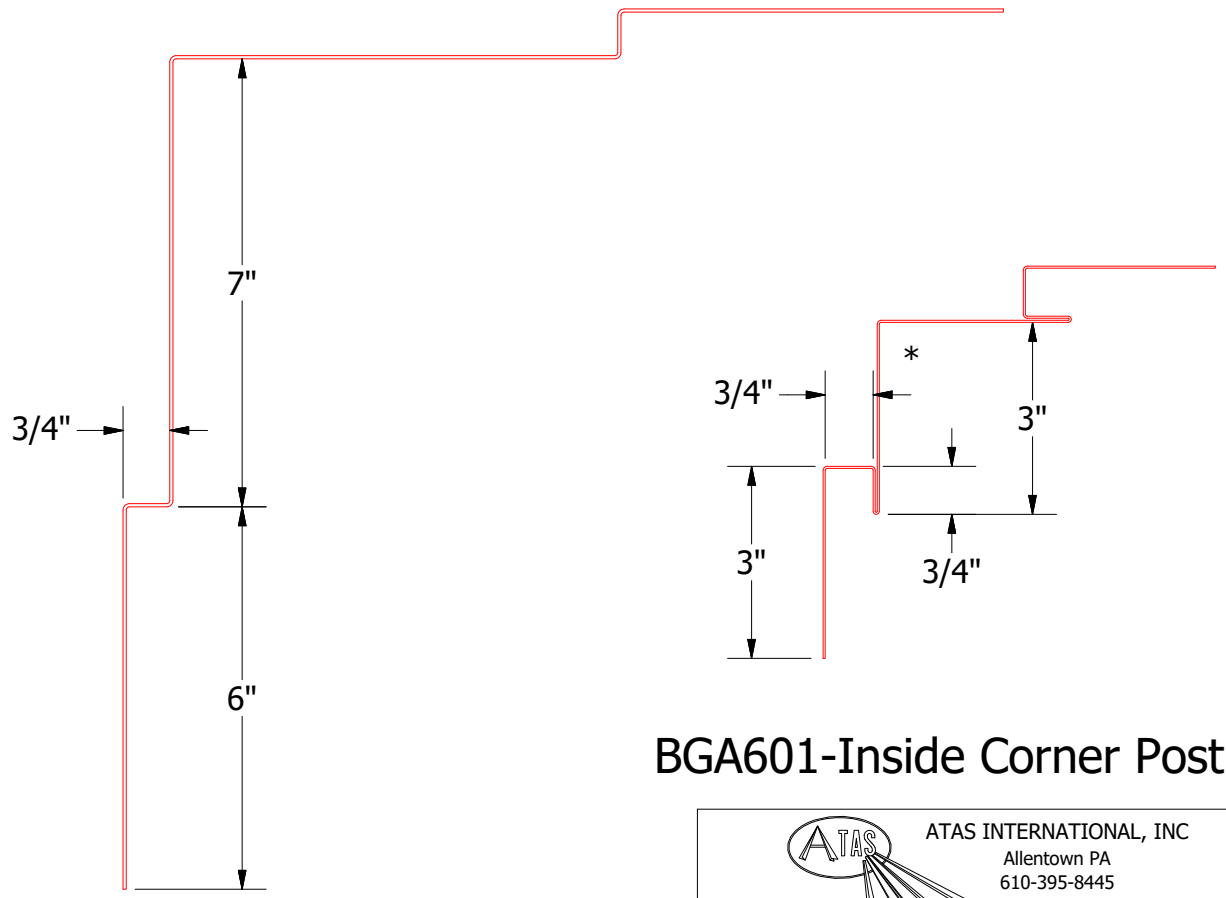
# Horizontal Panel



## Alternate Subgirt Orientation



- Metal Wall Stud
- Support Plate
- Inside Corner Post
- #14 x 7/8" Painted Hex Washer Head Fastener with Washer
- Grand V Panel
- Water Resistant Insulation
- Water and Air Resistive Barrier
- Exterior Gypsum Board
- Interior Finish
- Vertical Subgirt



**NOTE:** Optional 18 GA. Plate for Outside Corner Post is Available

REV. NO.		DATE		DESCRIPTION OF REVISION		BY	APP

DWG. NO.		DR	DMR	DATE
		APP		9/23/2016
MATERIAL		SH. SIZE	B	SCALE
				X:X

**ATAS** ATAS INTERNATIONAL, INC  
 Allentown PA  
 610-395-8445  
 Mesa AZ  
 480-558-7210

TITLE  
**Grand V Panel Inside Corner Detail**