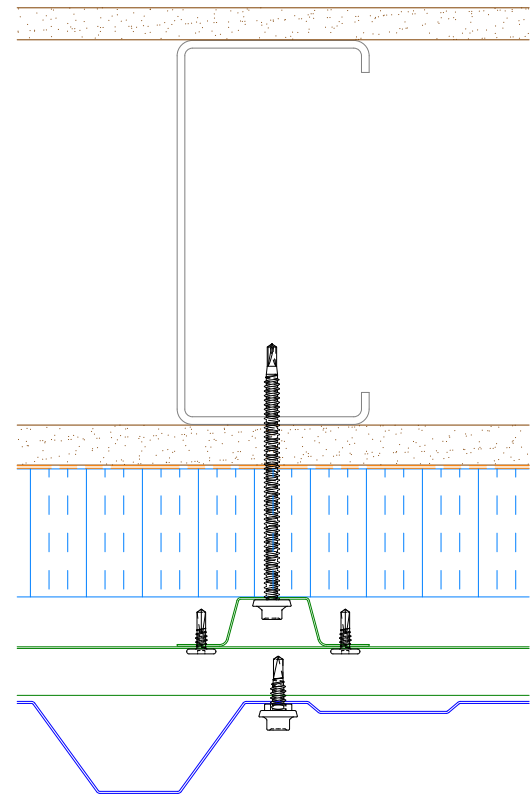
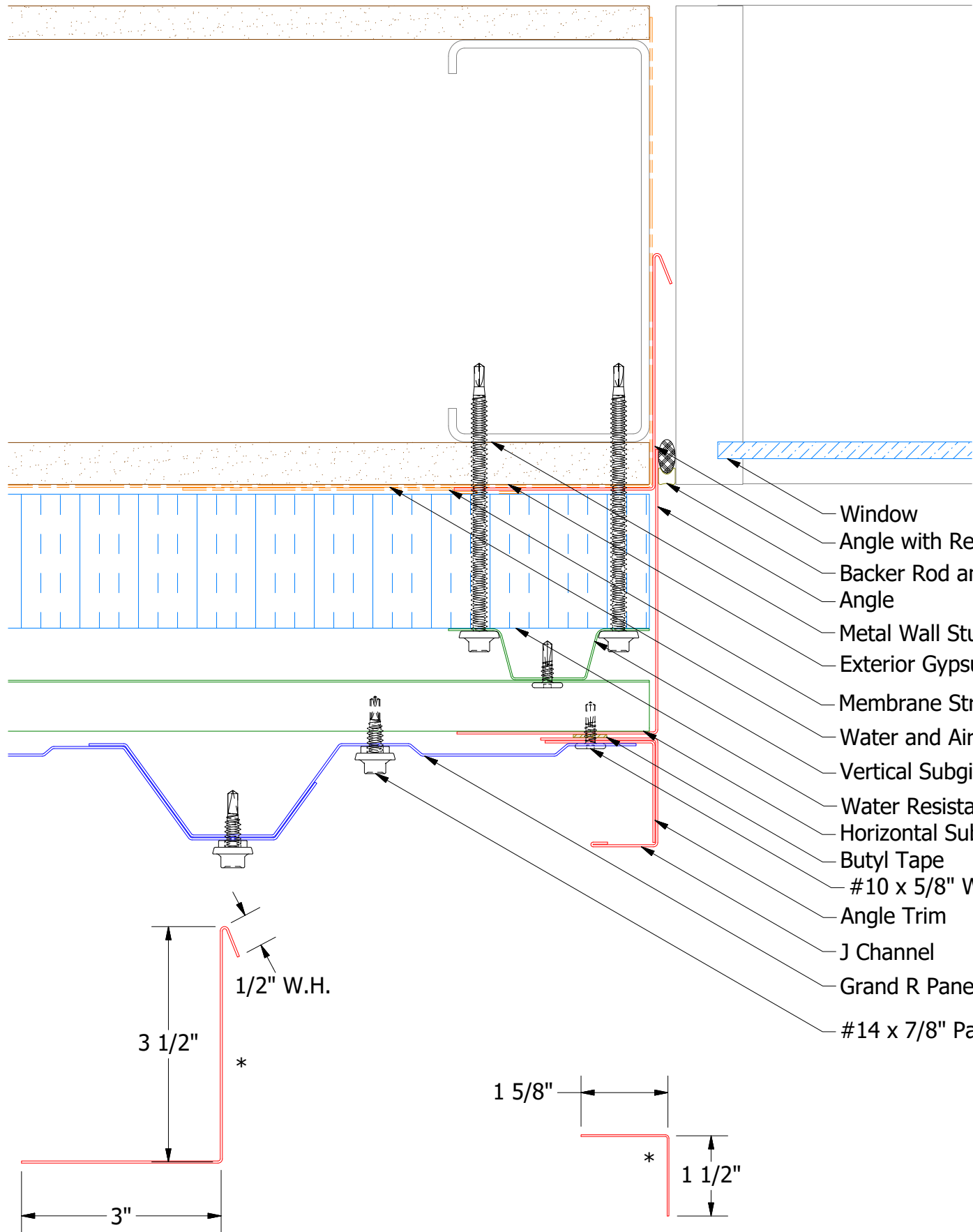
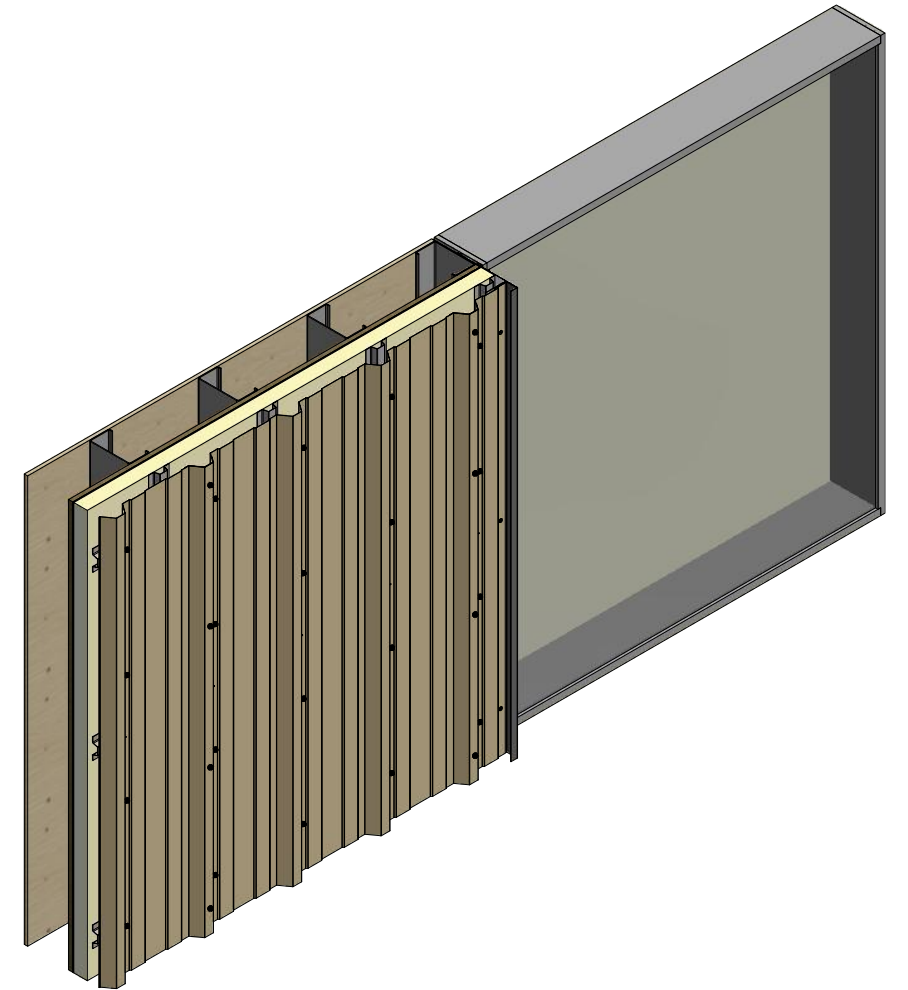


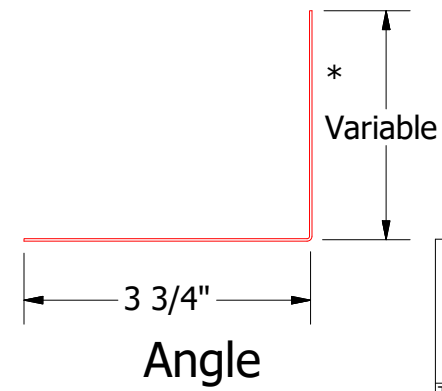
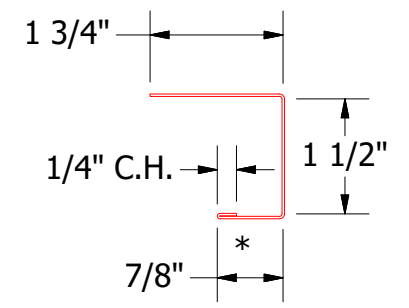
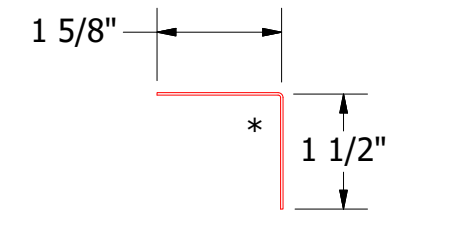
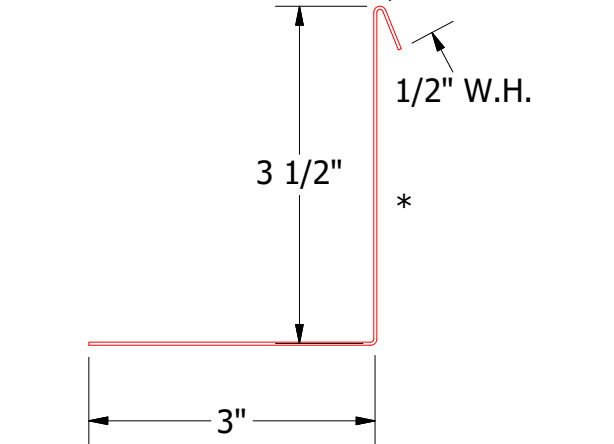
# Vertical Panel



Alternate Subgirt Orientation (NTS)



- Window
- Angle with Return
- Backer Rod and Sealant
- Angle
- Metal Wall Stud
- Exterior Gypsum Board
- Membrane Strip over J Channel and Angle Trim
- Water and Air Resistive Barrier
- Vertical Subgirt
- Water Resistant Insulation
- Horizontal Subgirt
- Butyl Tape
- #10 x 5/8" Wafer Head Fastener
- Angle Trim
- J Channel
- Grand R Panel
- #14 x 7/8" Painted Hex Washer Head Fastener with Washer



**ATAS** ATAS INTERNATIONAL, INC  
 Allentown PA  
 610-395-8445  
 Mesa AZ  
 480-558-7210

TITLE **Grand R Panel Open Jamb Detail**

DWG. NO.	DR	DATE
	DMR	8/15/2016
MATERIAL	APP	DATE
	SH. SIZE	B
	SCALE	X:X

REV. NO.	DATE	DESCRIPTION OF REVISION	BY	APP

BWA683 - Angle with Return

BWA680 - Angle Trim