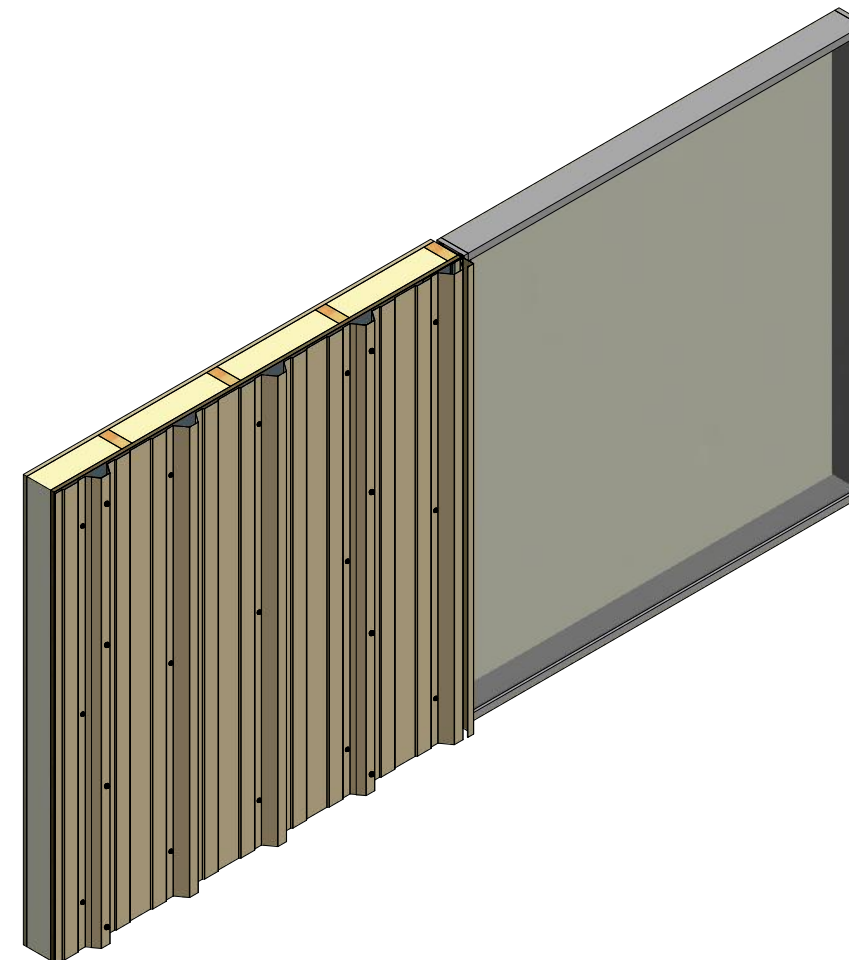
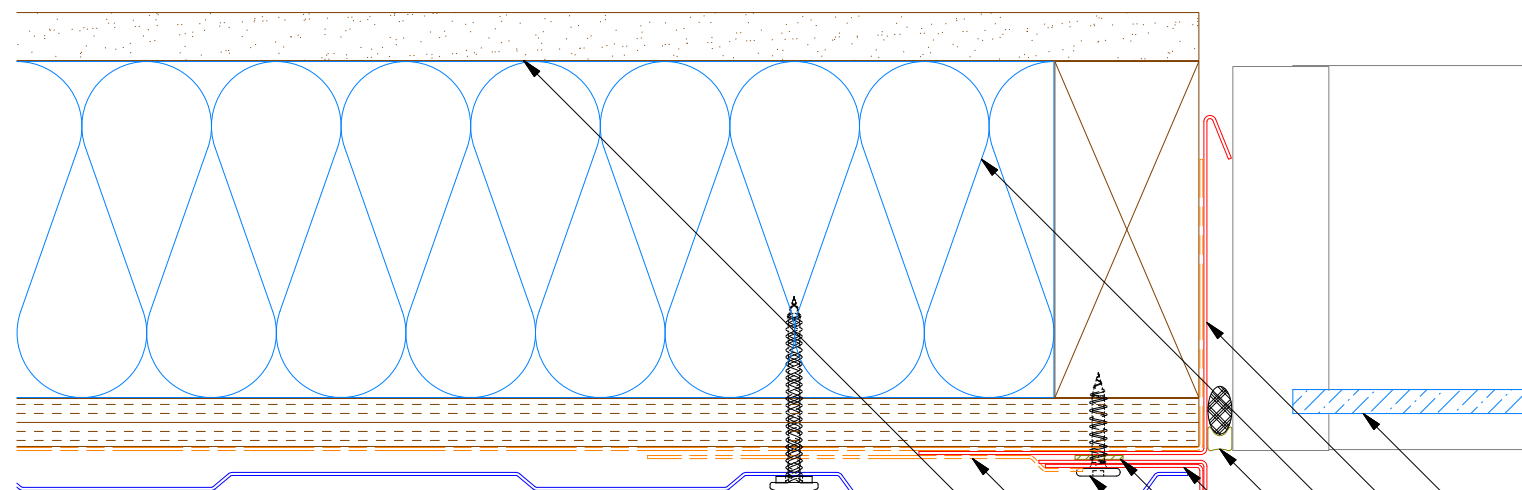
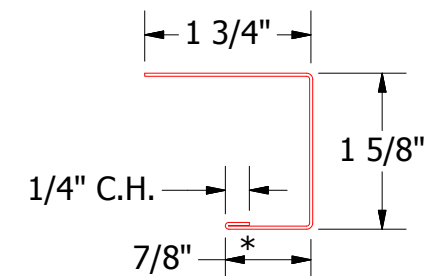


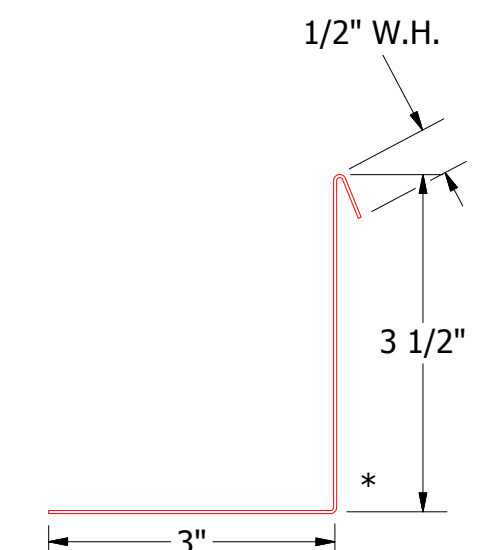
Vertical Panel



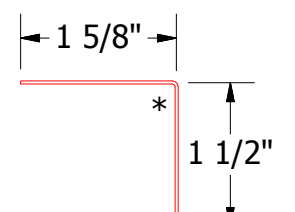
- Window
- Angle Trim with Return
- Insulation
- Backer Rod and Sealant
- Angle Trim
- Butyl Tape
- #10 x 1" Wafer Head Screw
- J Channel
- Membrane Strip over J Channel and Angle Trim
- Interior Finish
- #10 x 2" Painted Hex Washer Head Screw with Washer



BWA158 - J Channel



BWA683 - Angle Trim with Return



BWA680 - Angle Trim

| REV. NO. | DATE | DESCRIPTION OF REVISION | BY | APP |
|----------|------|-------------------------|----|-----|
| | | | | |
| | | | | |
| | | | | |

| | | | |
|----------|-----|---------------------|---------------|
| TITLE | | Grand R Jamb Detail | |
| DWG. NO. | DR | KRK | DATE 2/4/2016 |
| MATERIAL | APP | DAS | DATE 7/20/16 |
| SH. SIZE | B | SCALE | X:X |

ATAS INTERNATIONAL, INC
 Allentown PA
 610-395-8445
 Mesa AZ
 480-558-7210