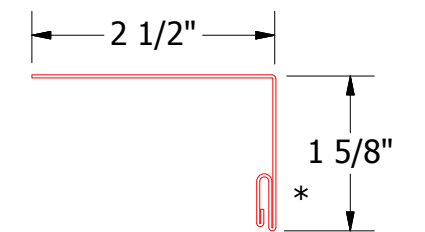
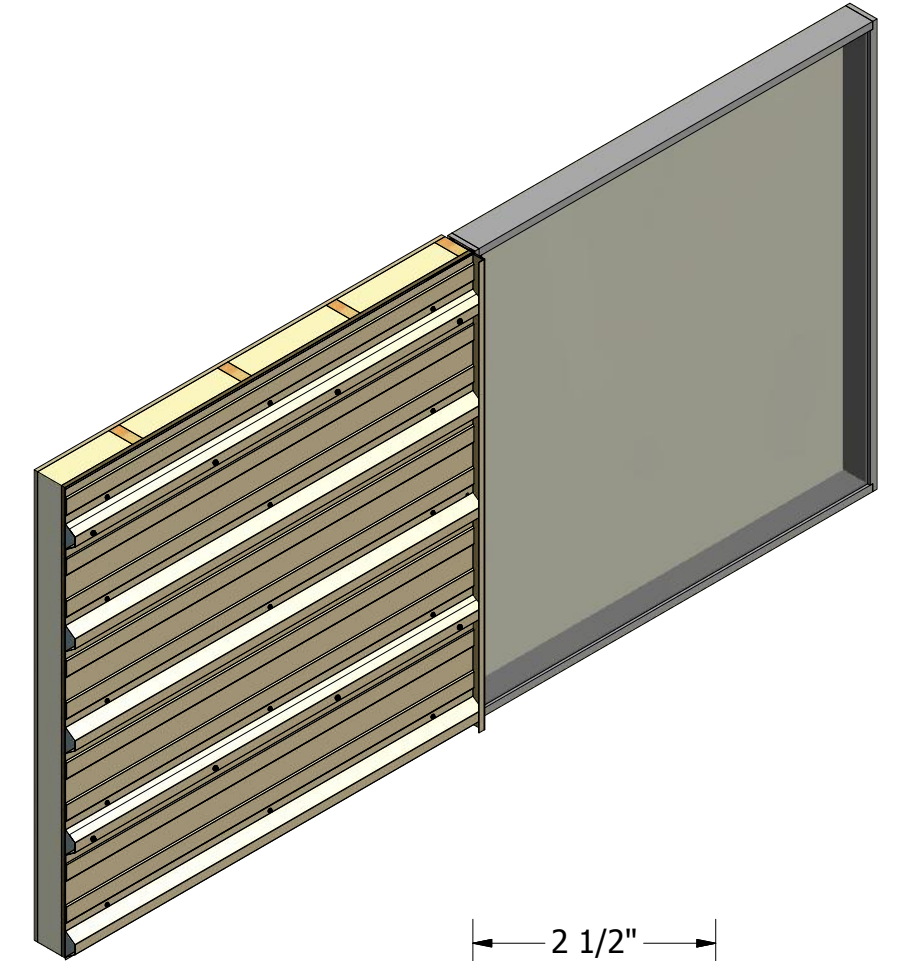
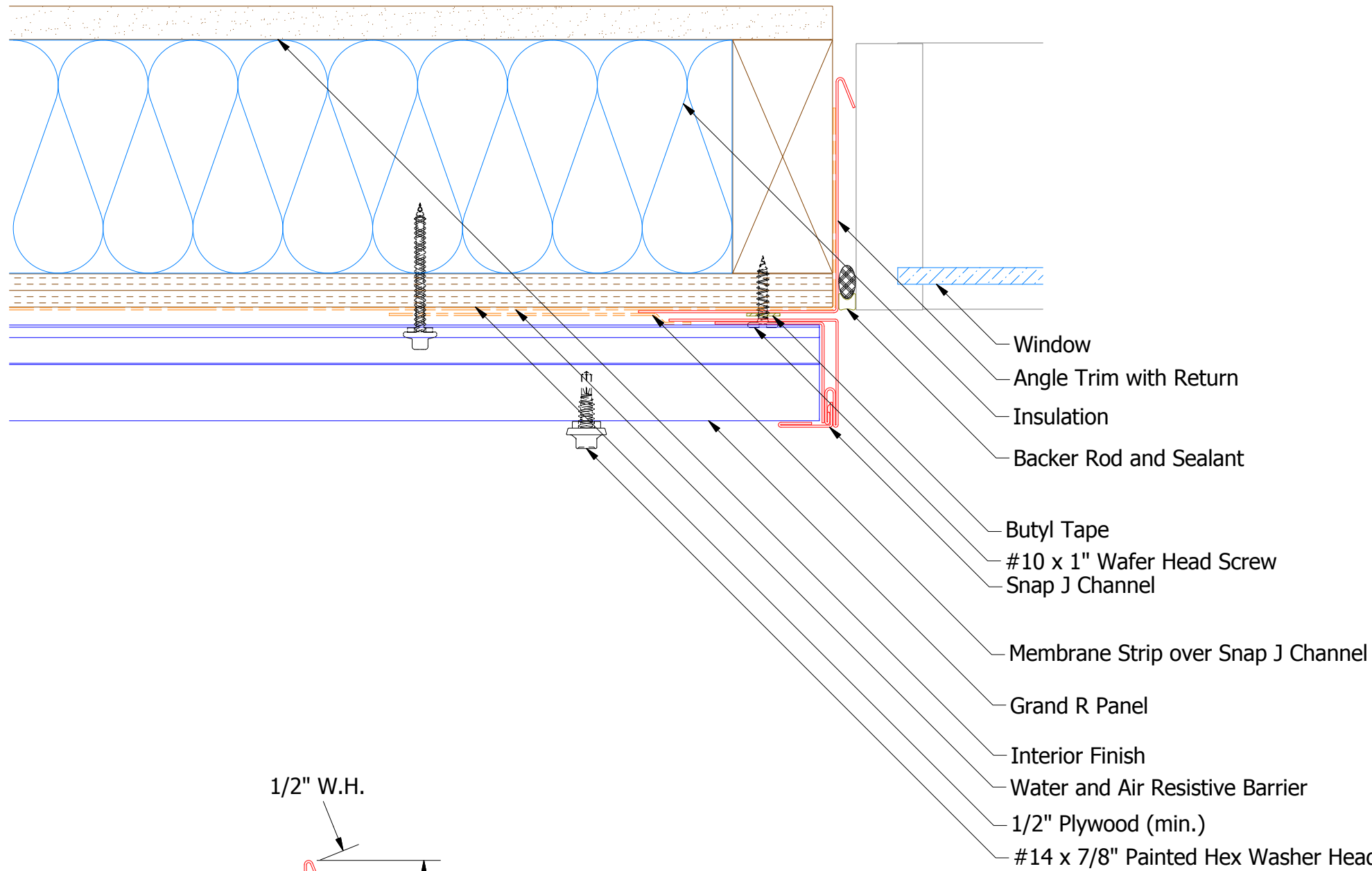
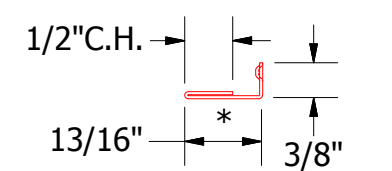


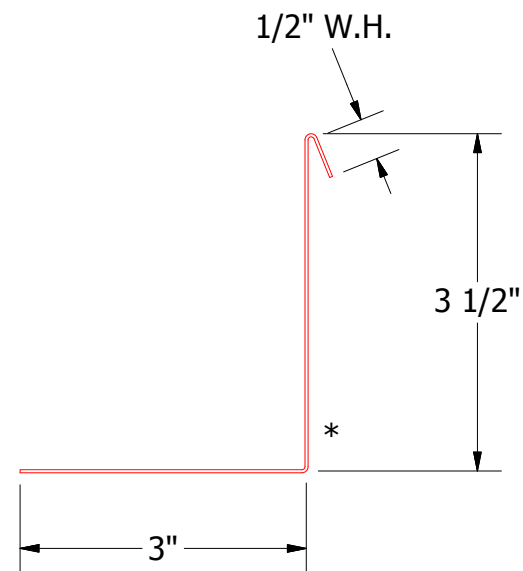
Horizontal Panel - Alternate



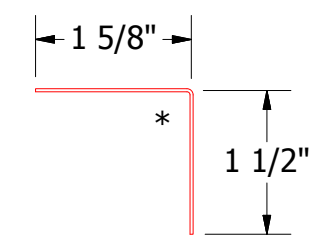
BWA159 - Snap J Base



UNS078 - Snap J Cover



BWA683 - Angle Trim with Return



BWA680 - Angle Trim

ATAS ATAS INTERNATIONAL, INC
 Allentown PA
 610-395-8445
 Mesa AZ
 480-558-7210

TITLE				Grand R Jamb Alternate Detail	
DWG. NO.	DR	KRK	DATE	2/4/2016	
	APP	DAS	DATE	8/15/16	
MATERIAL	SH. SIZE	B	SCALE	X:X	

REV. NO.	DATE	DESCRIPTION OF REVISION	BY	APP