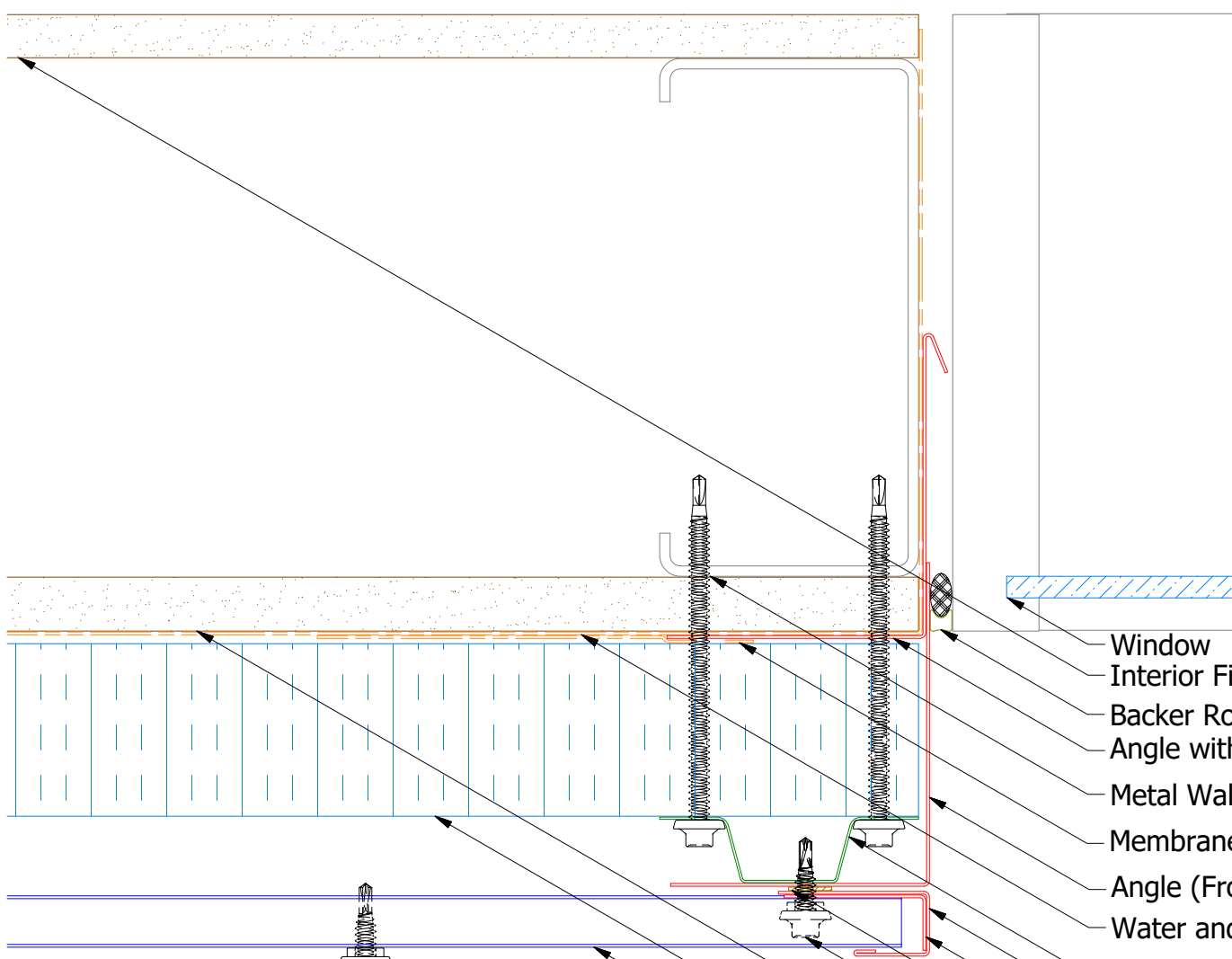
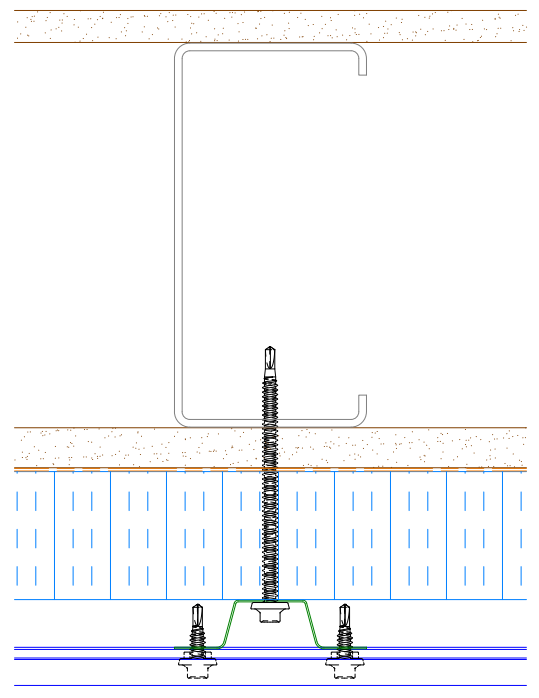


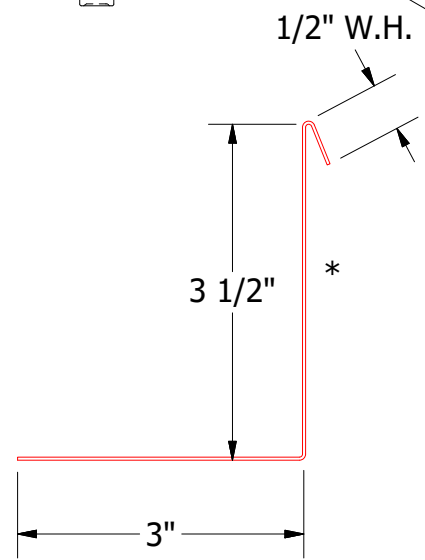
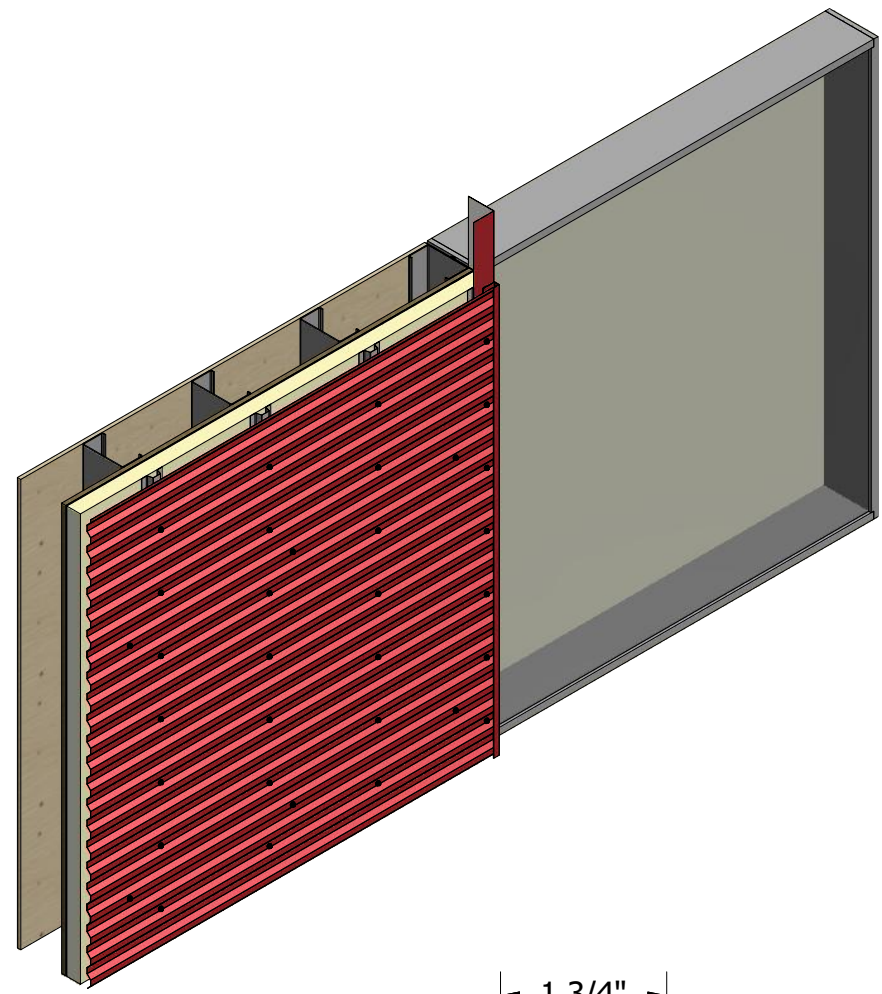
Horizontal Panel



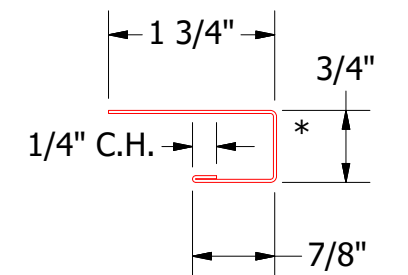
Alternate Subgirt Orientation (NTS)



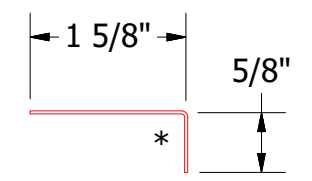
- Window
- Interior Finish
- Backer Rod and Sealant
- Angle with Return
- Metal Wall Stud
- Membrane Strip over Angle with Return
- Angle (From Flatstock)
- Water and Air Resistive Barrier
- Vertical Subgirt
- J Channel
- Angle Trim
- Butyl Tape
- #14 x 7/8" Painted Hex Washer Head Fastener with Washer
- Exterior Gypsum Board
- Water Resistant Insulation
- Grand C Panel



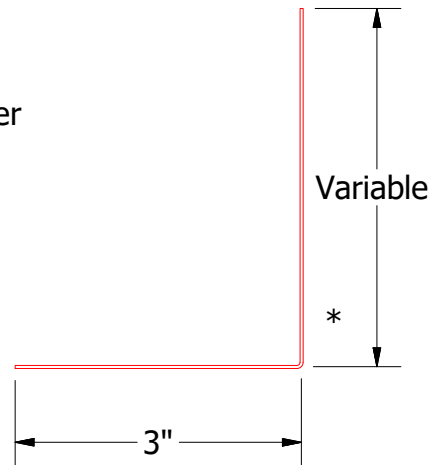
BGA683-Angle with Return



BGA034-J Channel



BGA680-Angle Trim



Angle

Note: * denotes color side.

REV. NO.		DATE	DESCRIPTION OF REVISION	BY	APP	TITLE	
						Grand C Panel Open Jamb Detail	
DWG. NO.		DR	DMR	DATE	9/14/2016		
		APP		DATE			
MATERIAL		SH. SIZE	B	SCALE	X:X		


ATAS INTERNATIONAL, INC
 Allentown PA
 610-395-8445
 Mesa AZ
 480-558-7210