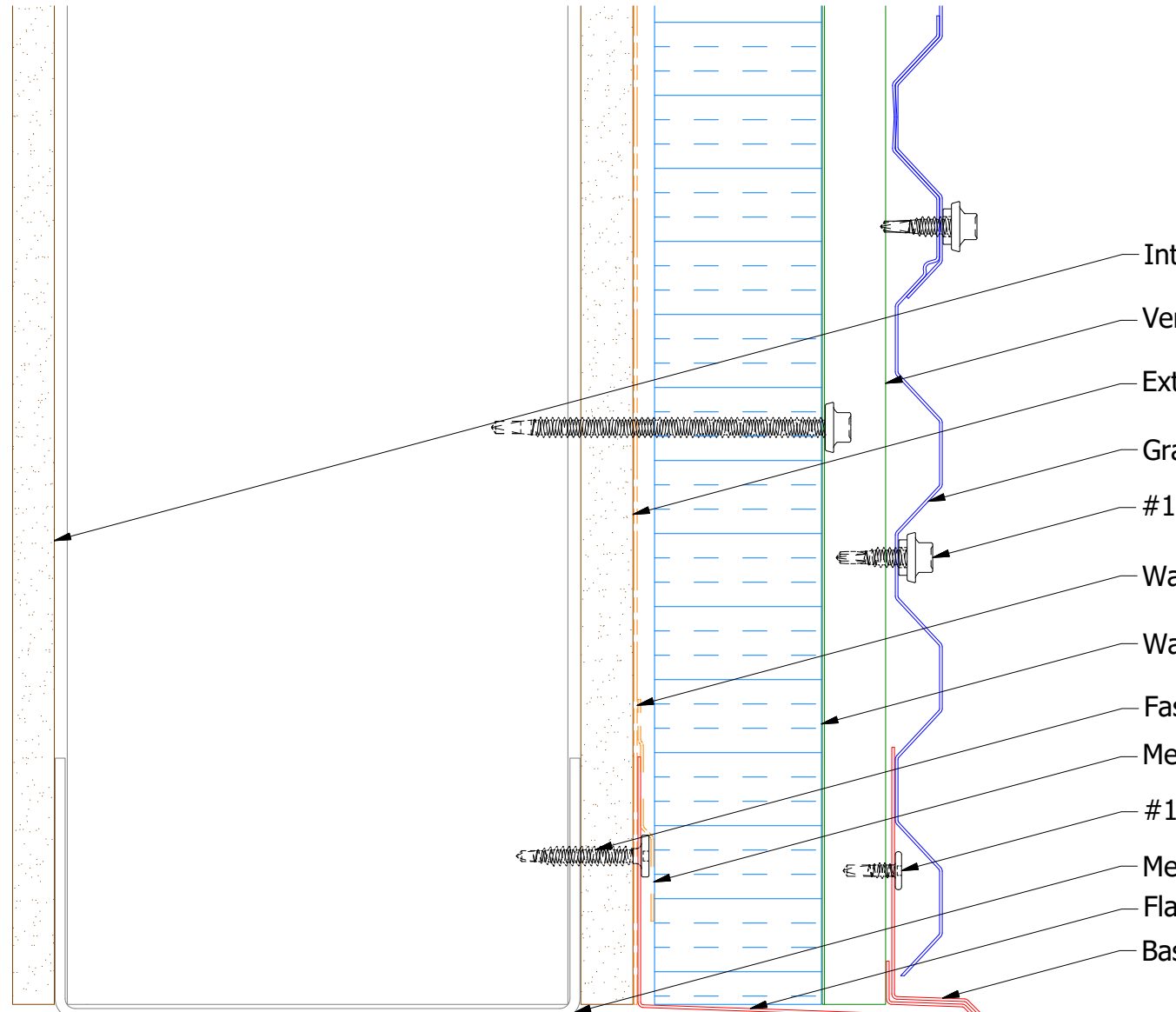
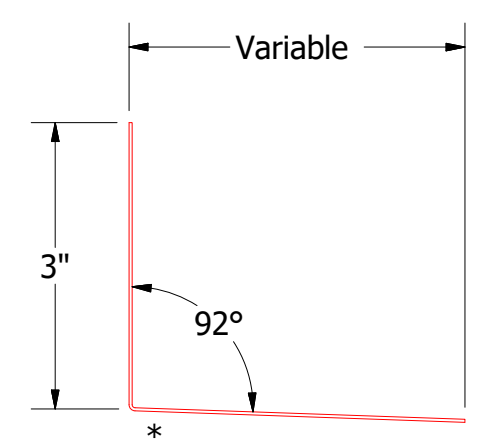


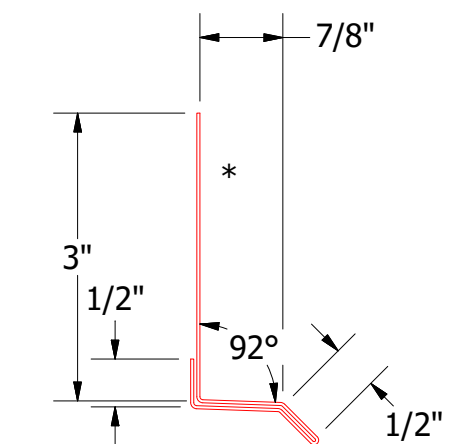
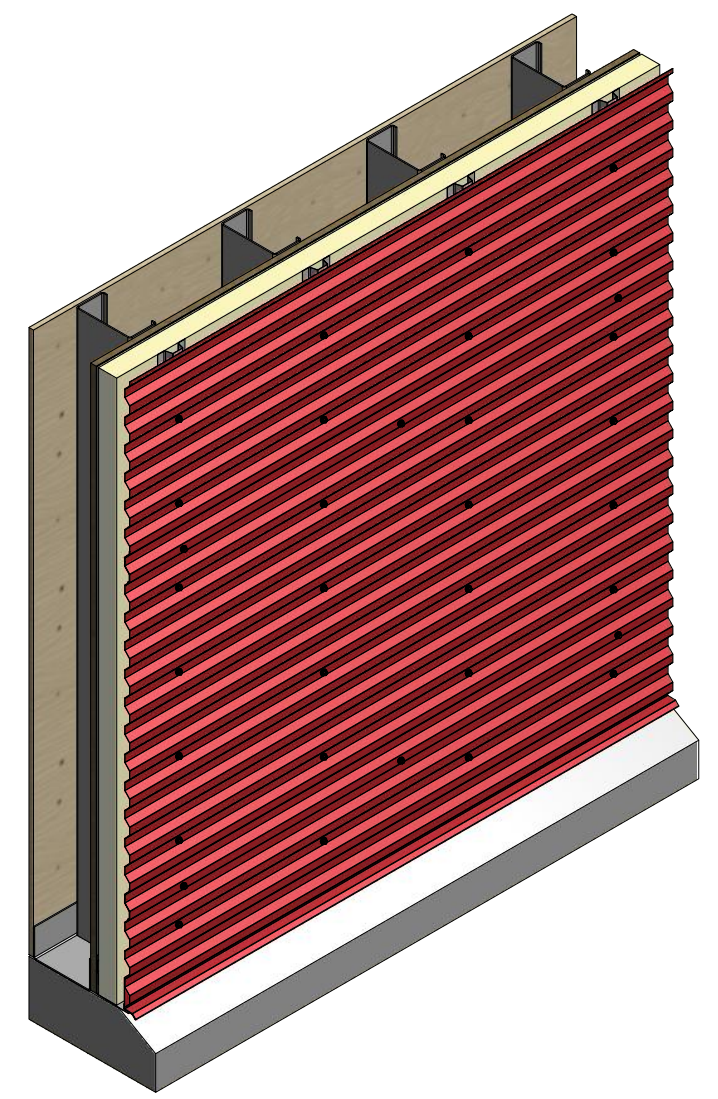
Horizontal Panel



- Interior Finish
- Vertical Subgirt
- Exterior Gypsum Board
- Grand C Panel
- #14 x 7/8" Painted Hex Washer Head Fastener with Washer
- Water and Air Resistive Barrier
- Water Resistant Insulation
- Fastener Flashing (by others)
- Membrane Strip (by others)
- #10 x 5/8" Wafer Head Fastener
- Metal Stud
- Flashing by others
- Base Trim



Flashing
(Field Fabricated from Color Matched Flat Stock)



BGA661-Base Trim

ATAS ATAS INTERNATIONAL, INC
 Allentown PA
 610-395-8445
 Mesa AZ
 480-558-7210

TITLE				Grand C Panel Base Detail	
DWG. NO.	DR	DMR	DATE	9/8/2016	
	APP		DATE		
MATERIAL			SH. SIZE	B	SCALE
					X:X

REV. NO.	DATE	DESCRIPTION OF REVISION	BY	APP