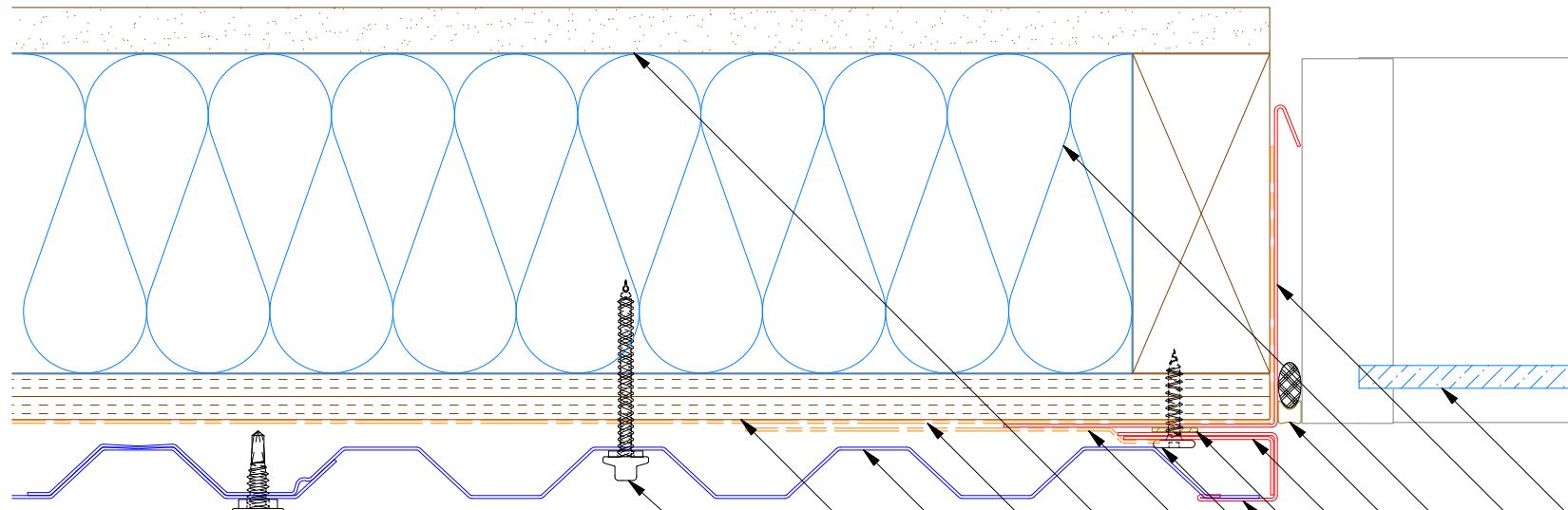
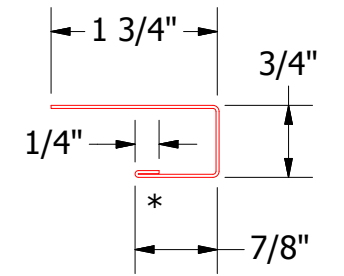
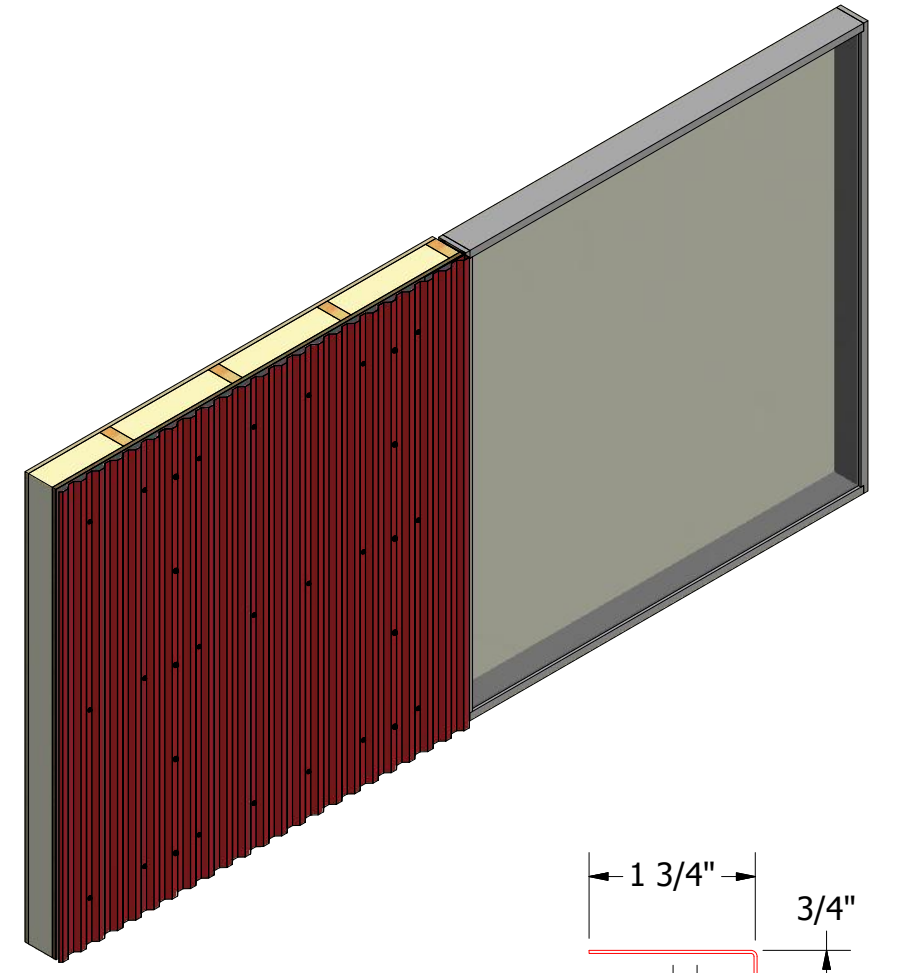


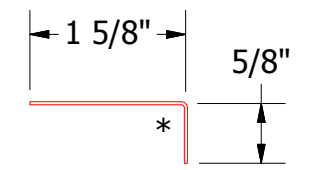
Vertical Panel



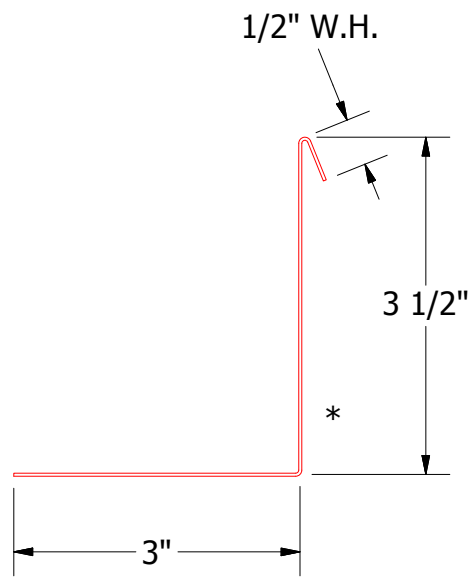
- Window
- Angle Trim with Return
- Insulation
- Backer Rod and Sealant
- Angle Trim
- Butyl Tape
- J Channel
- #10 x 1" Wafer Head Screw
- Membrane Strip over J Channel and Angle Trim
- Interior Finish
- Water and Air Resistive Barrier
- Grand C Panel
- 1/2" Plywood (min.)
- #10 x 2" Painted Hex Washer Head Screw with Washer
- #14 x 7/8" Painted Hex Washer Head Fastener with Washer



BGA034 - J Channel



BGA680 - Angle Trim



BGA683 - Angle Trim with Return

REV. NO.		DATE	DESCRIPTION OF REVISION	BY	APP	TITLE	
						Grand C Jamb Detail	
DWG. NO.		DR	KRK	DATE	2/18/2016		
		APP	DAS	DATE	8/8/16		
MATERIAL		SH. SIZE	B	SCALE	X:X		


ATAS INTERNATIONAL, INC
 Allentown PA
 610-395-8445
 Mesa AZ
 480-558-7210