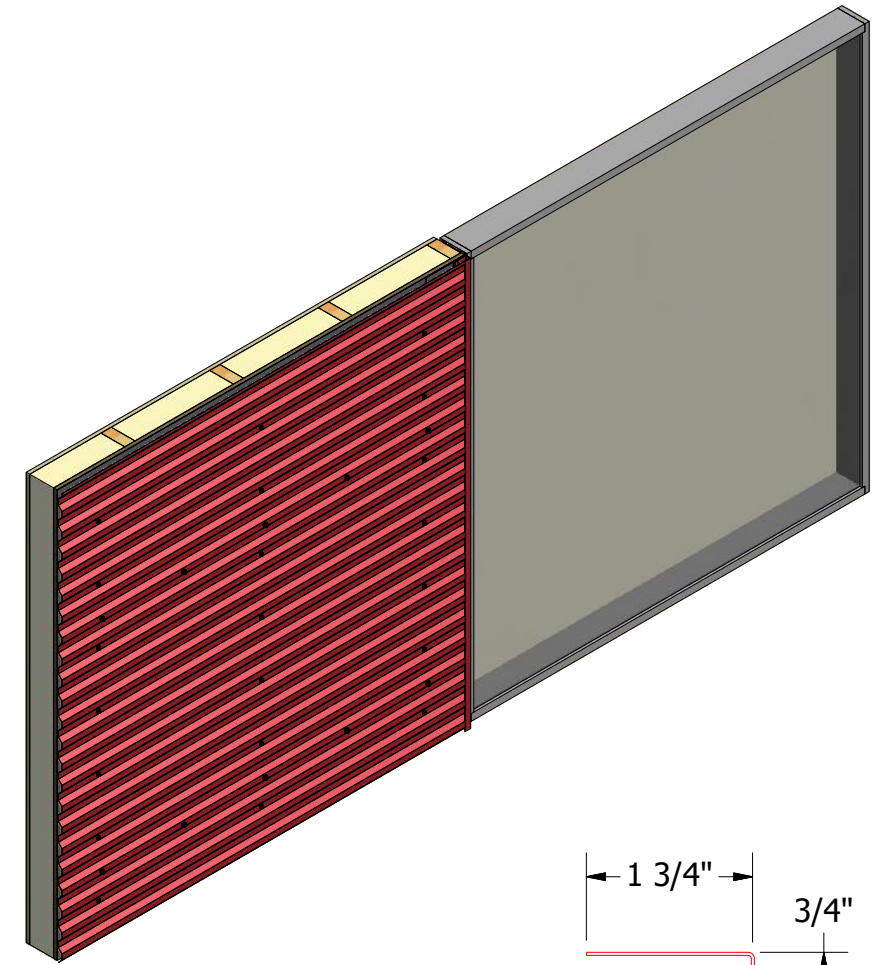
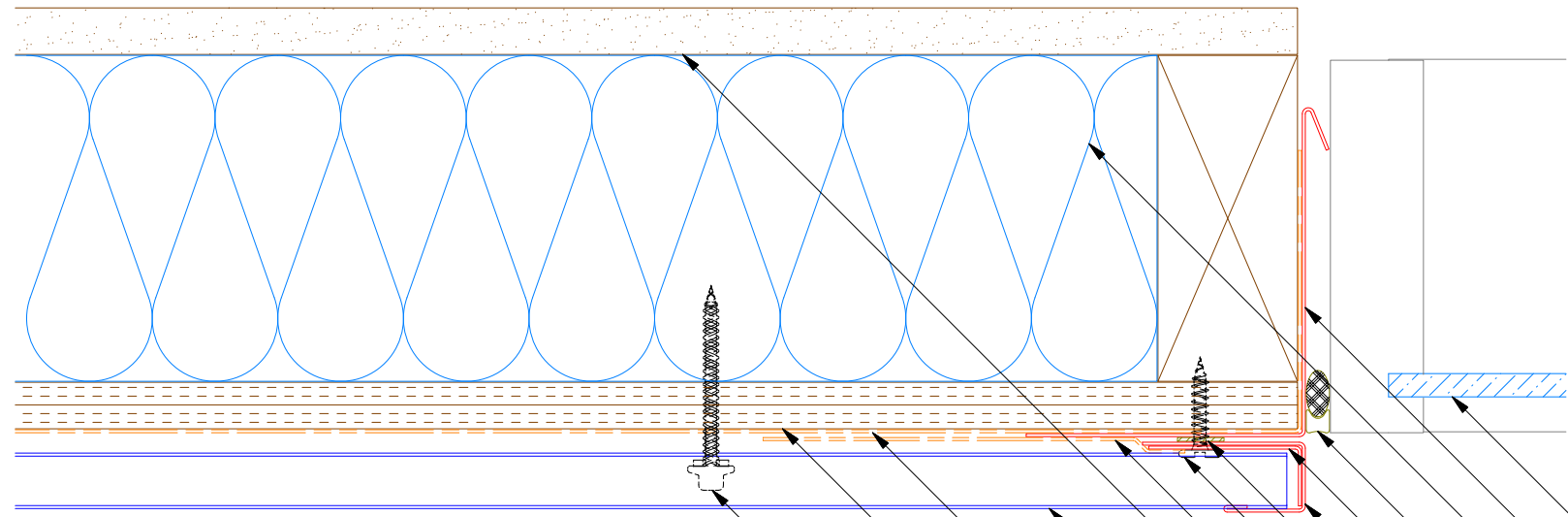
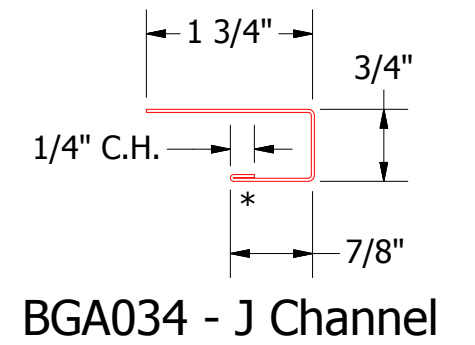


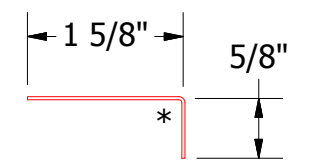
# Horizontal Panel



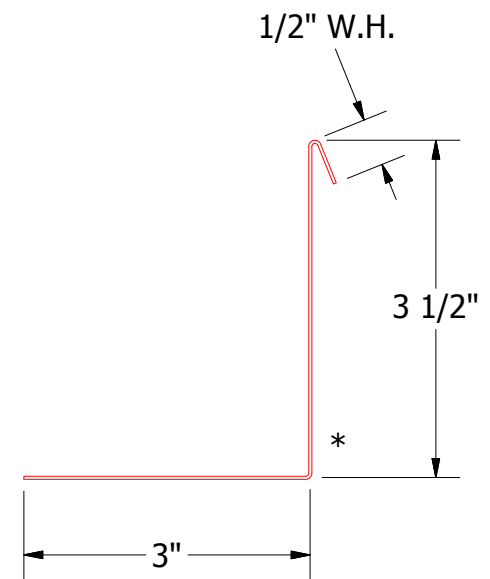
- Window
- Angle Trim with Return
- Insulation
- Backer Rod and Sealant
- Angle Trim
- J Channel
- Butyl Tape
- #10 x 1" Wafer Head Screw
- Membrane Strip over J Channel and Angle Trim
- Interior Finish
- Grand C Panel
- Water and Air Resistive Barrier
- 1/2" Plywood (min.)
- #10 x 2" Painted Hex Washer Head Screw with Washer



**BGA034 - J Channel**



**BGA680 - Angle Trim**



**BGA683 - Angle Trim with Return**

REV. NO.		DATE	DESCRIPTION OF REVISION	BY	APP	TITLE		Grand C Jamb Detail		
						DWG. NO.	DR	KRK	DATE	2/18/2016
						MATERIAL	APP	DAS	DATE	8/8/16
						SH. SIZE	B	SCALE	X:X	

**ATAS** ATAS INTERNATIONAL, INC  
 Allentown PA  
 610-395-8445  
 Mesa AZ  
 480-558-7210