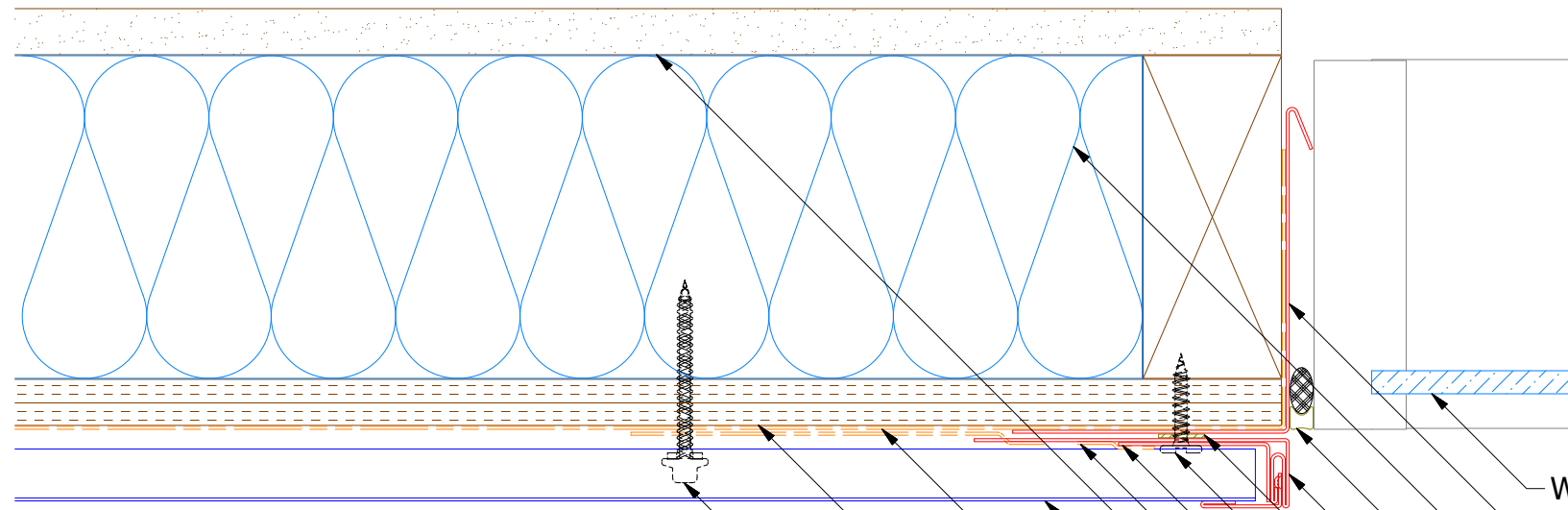
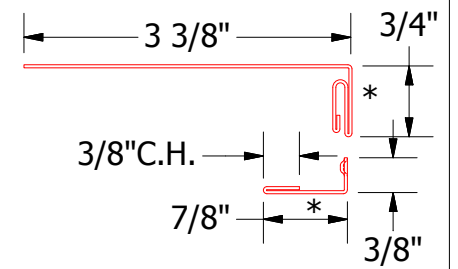
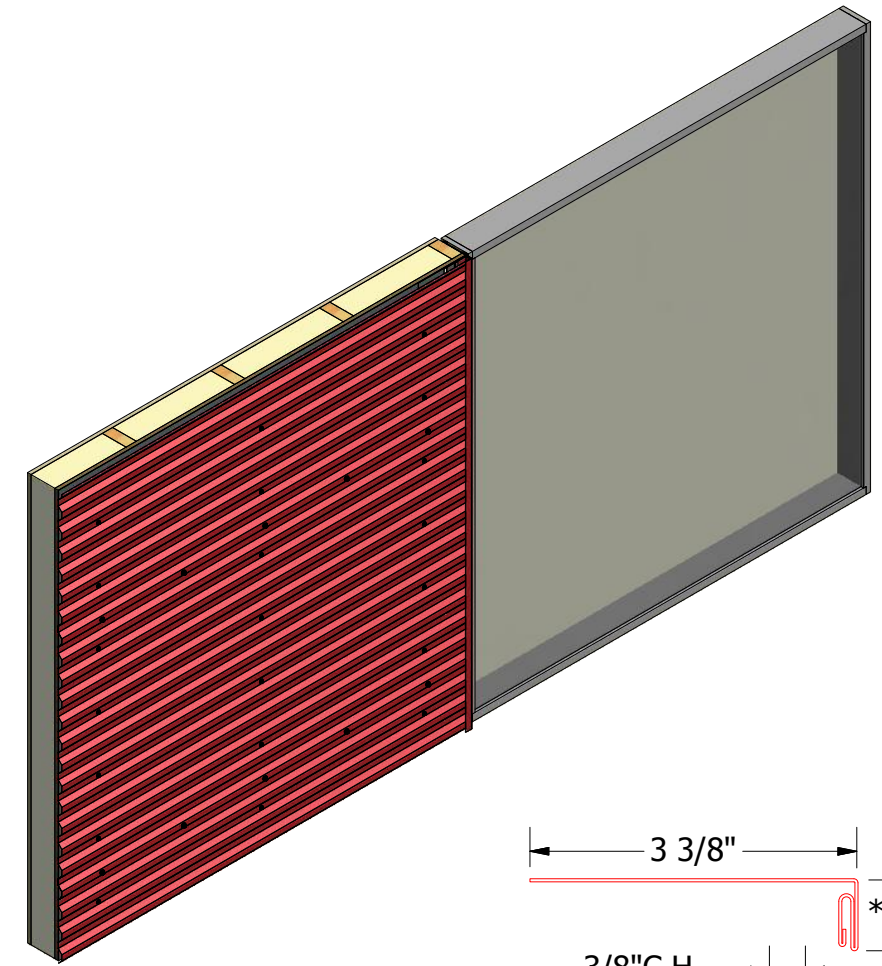


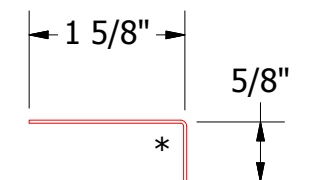
Horizontal Panel - Alternate Detail



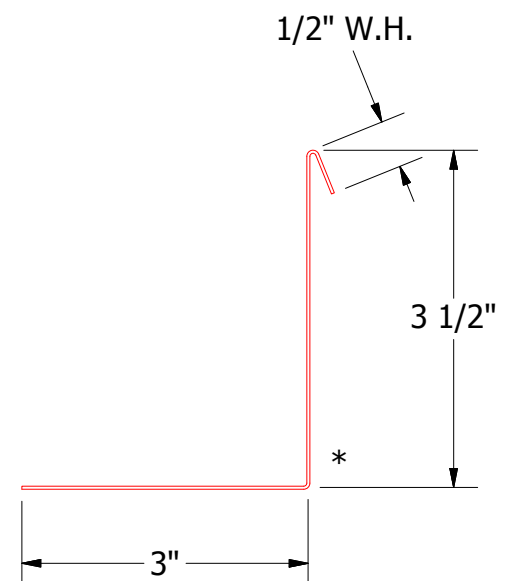
- Window
- Angle Trim with Return
- Insulation
- Backer Rod and Sealant
- Snap J Channel
- Butyl Tape
- #10 x 1" Wafer Head Screw
- Angle Trim
- Membrane Strip over Snap J Channel and Angle Trim
- Interior Finish
- Grand C Panel
- Water and Air Resistive Barrier
- 1/2" Plywood (min.)
- #10 x 2" Painted Hex Washer Head Screw with Washer



BGA039 - Snap J Channel



BGA680 - Angle Trim



BGA683 - Angle Trim with Return



TITLE		Grand C Jamb Detail	
DWG. NO.	DR	KRK	DATE 2/18/2016
MATERIAL	APP	DAS	DATE 8/8/16
REV. NO.	DATE	DESCRIPTION OF REVISION	BY APP
			SH. SIZE B SCALE X:X