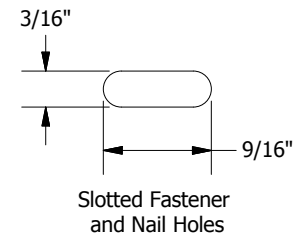
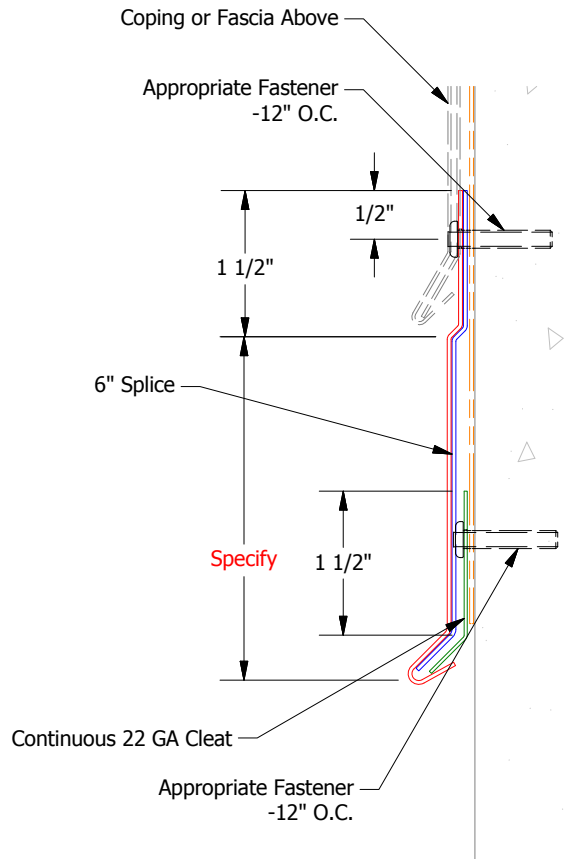
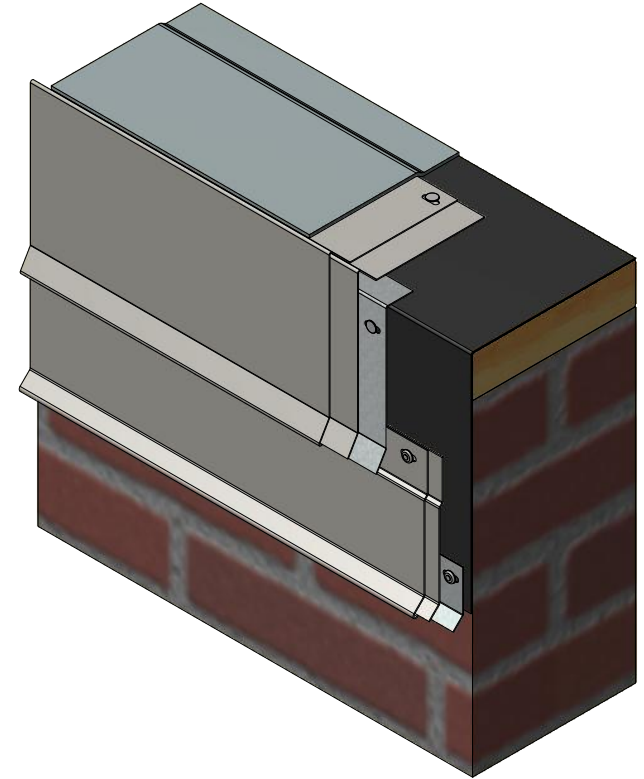



BOM per 12'	
Component	Quantity
Fascia Extender Cover	1
6" Splice	1
Continuous 22 GA Cleat	1
Appropriate Fastener	24

Standard Materials	
Available Gauges	Materials
Pre-Finished Steel	24 GA, 22 GA
Stainless Steel	24 GA, 22 GA
Pre-Finished Alum.	.040, .050, .063
Mill Alum.	.040, .050, .063



	ATAS INTERNATIONAL, INC Allentown PA 610-395-8445 Mesa AZ 480-558-7210		
	TITLE Fascia Extender Product Detail		
DWG. NO.	DR	DATE	
	KRK	1/8/2016	
MATERIAL	APP	DATE	
	SH. SIZE	A	SCALE
			X:X

REV. NO.	DATE	DESCRIPTION OF REVISION	BY	APP