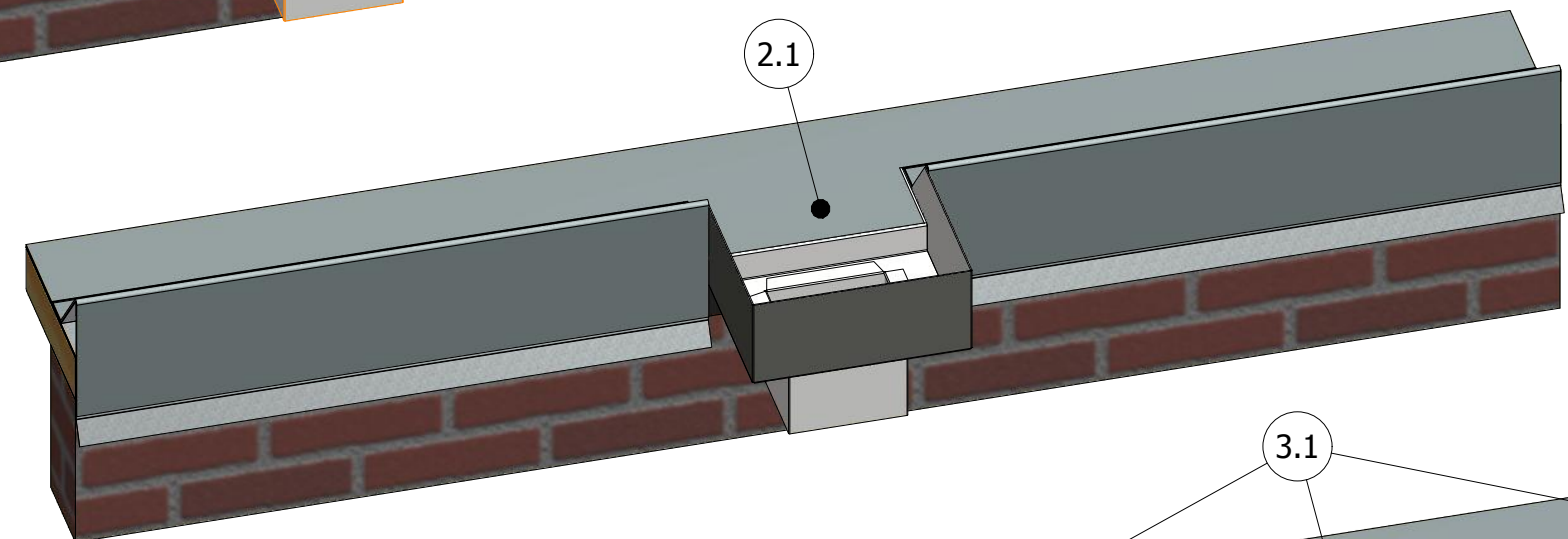
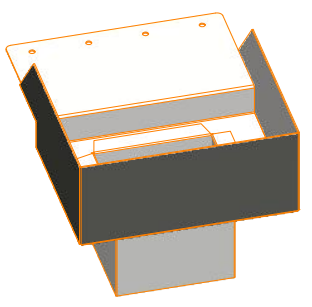


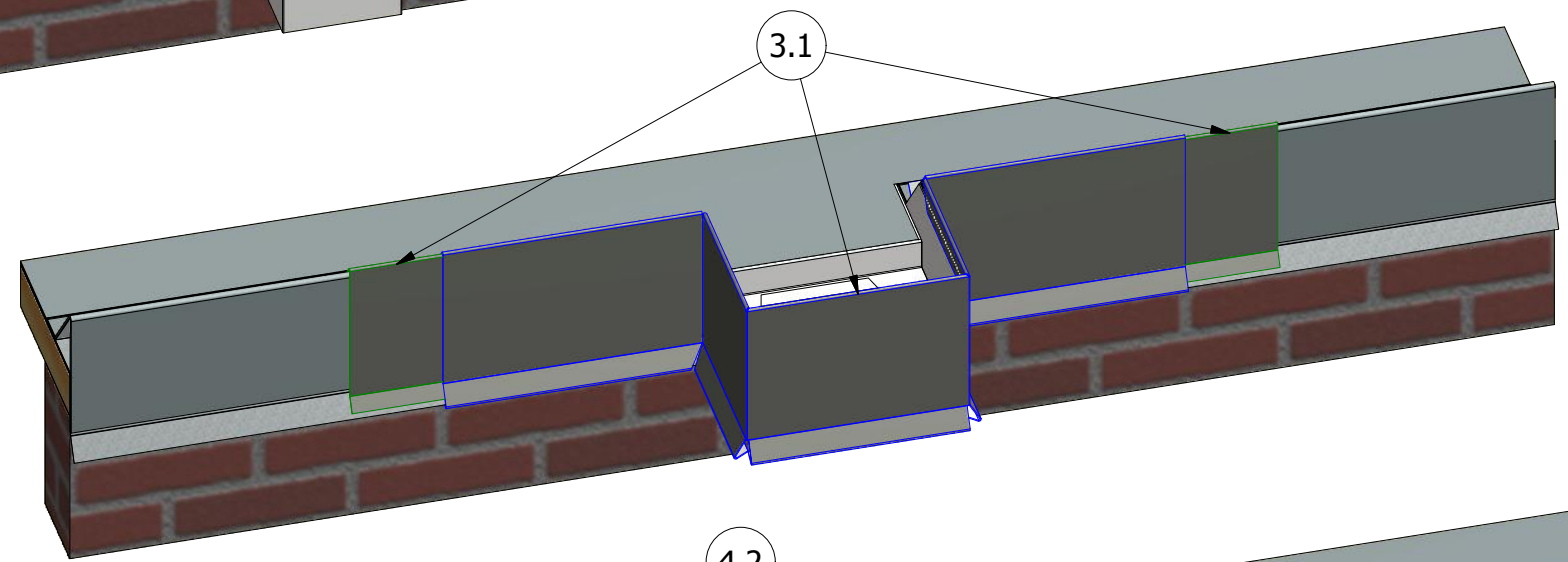
Step 1



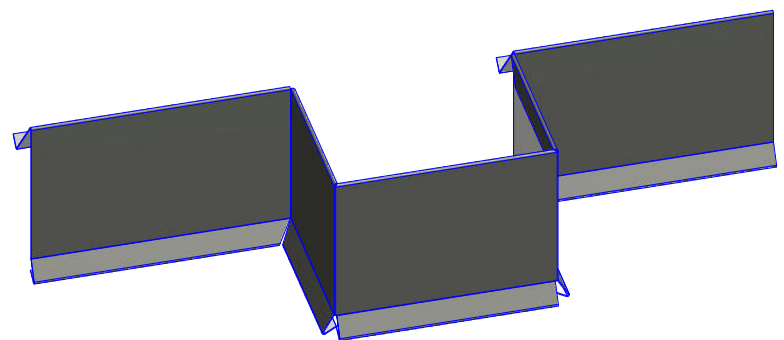
Step 2



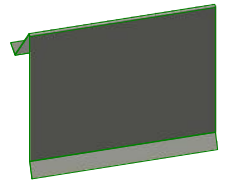
Sump



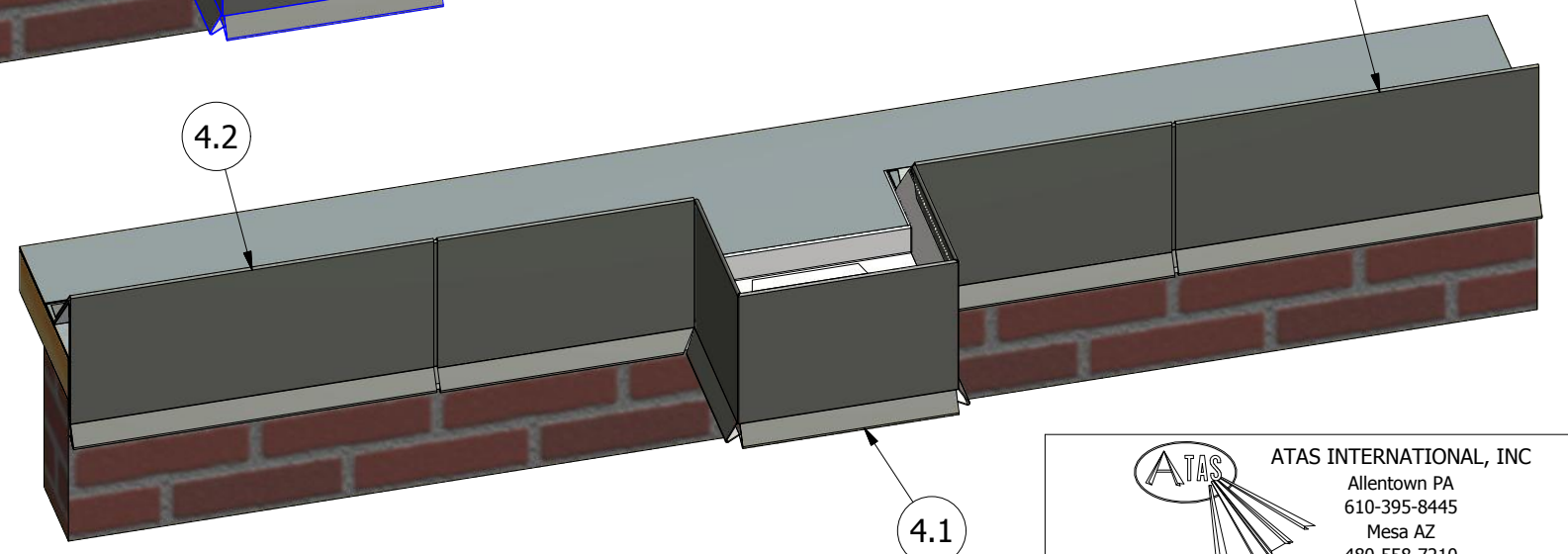
Step 3



Sump Cover Trim



Splice



Step 4

Step 1.1 Install Sumps at specified locations with 1 1/2" Ring Shank Nails.
Step 1.2 Install Cleats around Sumps with 1 1/2" Ring Shank Nails.

Step 2.1 Install Strip-in Membrane over cleats as normal and on top of Sumps as shown.

Step 3.1 Install Sump Cover Trim with Splices.

Step 4.1 Install Downspout to Sump. (not shown)
Step 4.2 Continue Installing as usual.

ATAS ATAS INTERNATIONAL, INC
 Allentown PA
 610-395-8445
 Mesa AZ
 480-558-7210

TITLE		Edge Lok 2 Fascia Sump Detail	
DWG. NO.	DR	DATE	5/21/2018
	KRK	DATE	
MATERIAL	APP	SH. SIZE	B
		SCALE	X:X

REV. NO.	DATE	DESCRIPTION OF REVISION	BY	APP