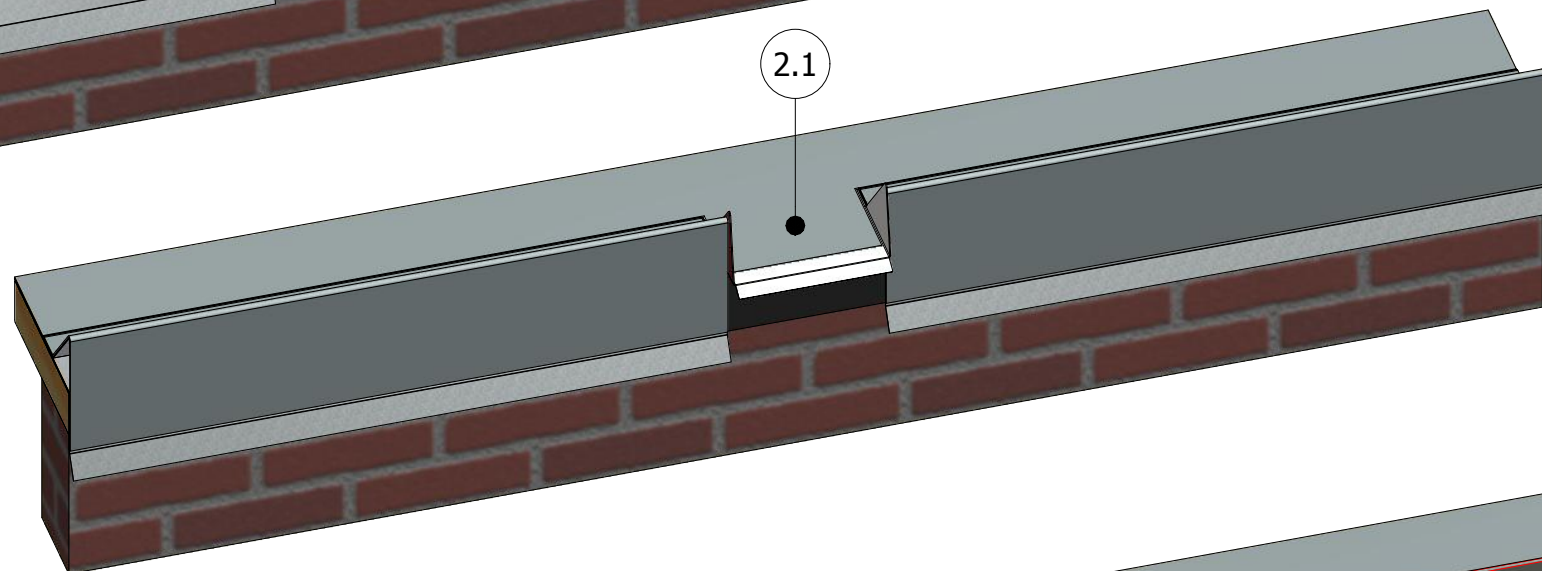
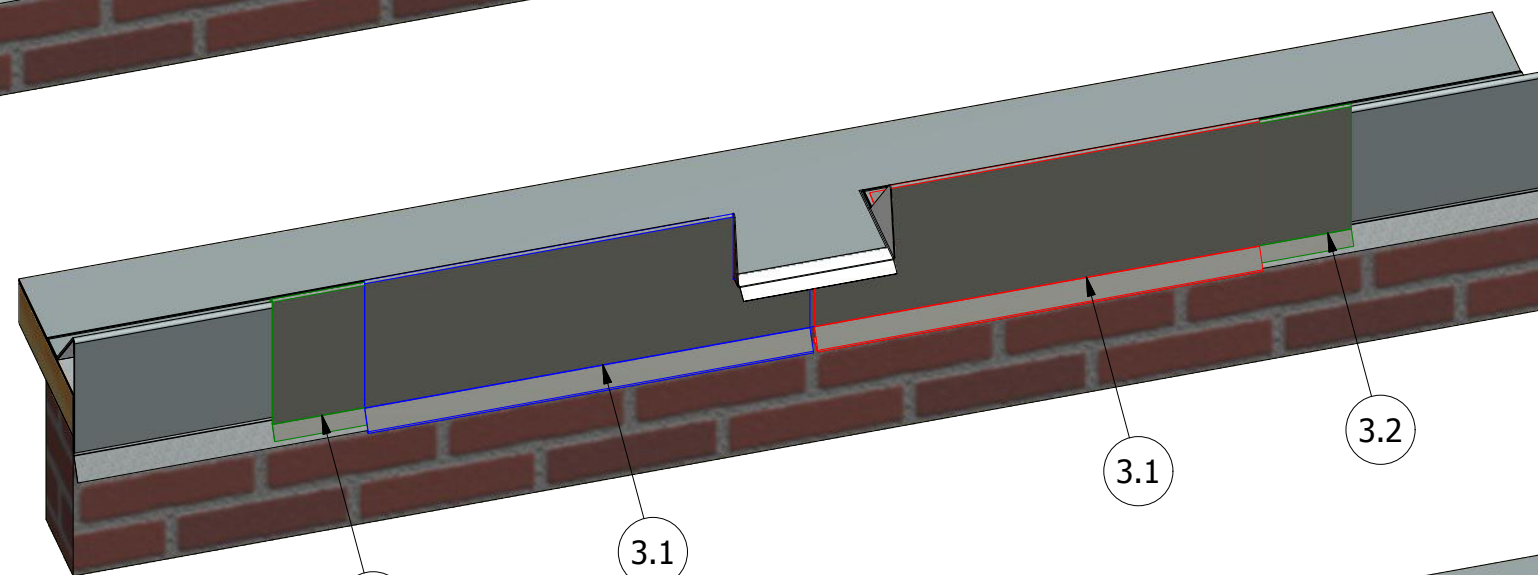


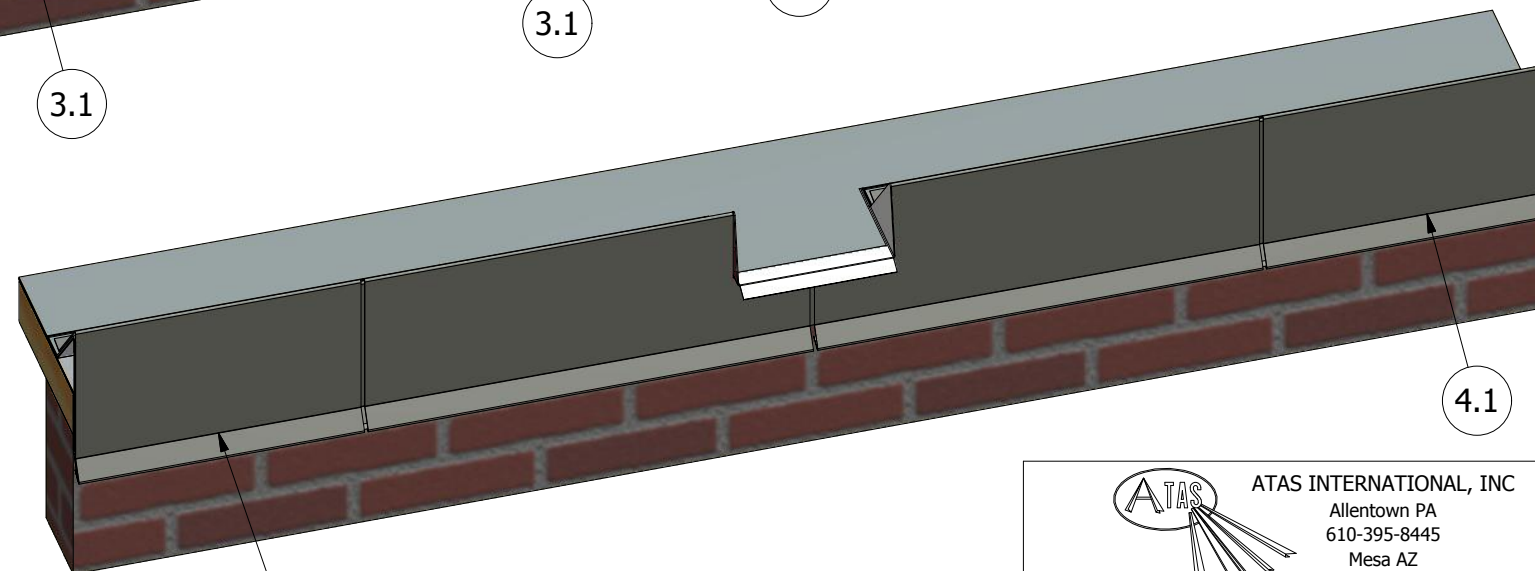
Step 1



Step 2



Step 3



Step 4

Step 1.1 Install Spillouts at specified locations with 1 1/2" Ring Shank Nails.

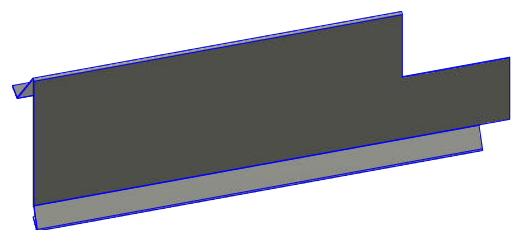
Step 1.2 Install Cleats around Spillouts with 1 1/2" Ring Shank Nails.

Step 2.1 Install Strip-in Membrane over Cleats as normal and on top of Spillouts as shown.

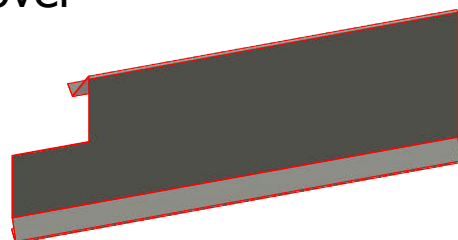
Step 3.1 Install Left and Right Fascia Trim Covers around the Spillout. Trims will be factory notched to be overlapped.

Step 3.2 Install Splices on both sides of Left and Right Trim Covers.

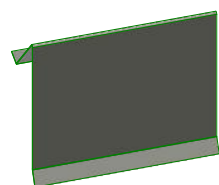
Step 4.1 Continue installing as usual.



Right Trim Cover



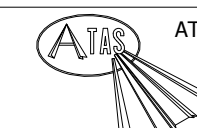
Left Trim Cover



Splice



Spillout



ATAS INTERNATIONAL, INC
 Allentown PA
 610-395-8445
 Mesa AZ
 480-558-7210

TITLE Edge Lok 2 Fascia Spillout Detail

REV. NO.	DATE	DESCRIPTION OF REVISION	BY	APP	DWG. NO.	DR	KRK	DATE	5/21/2018
						APP		DATE	
					MATERIAL	SH. SIZE	B	SCALE	X:X