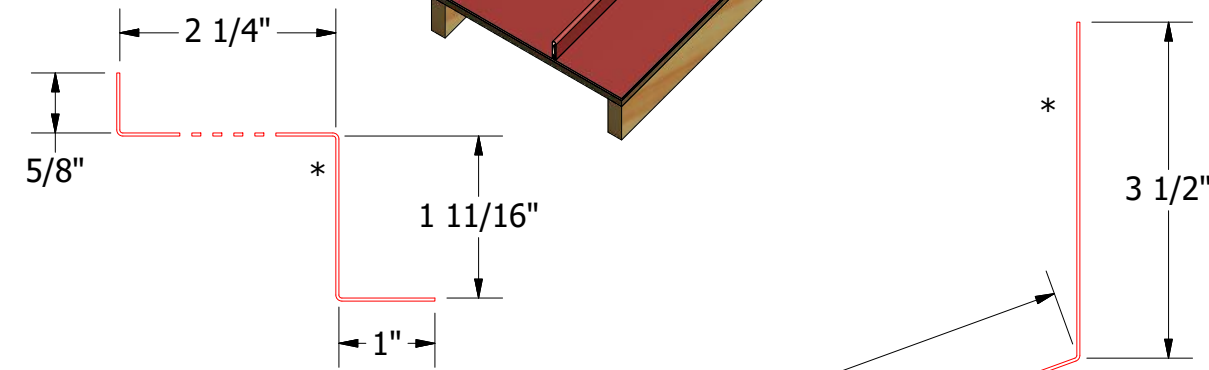
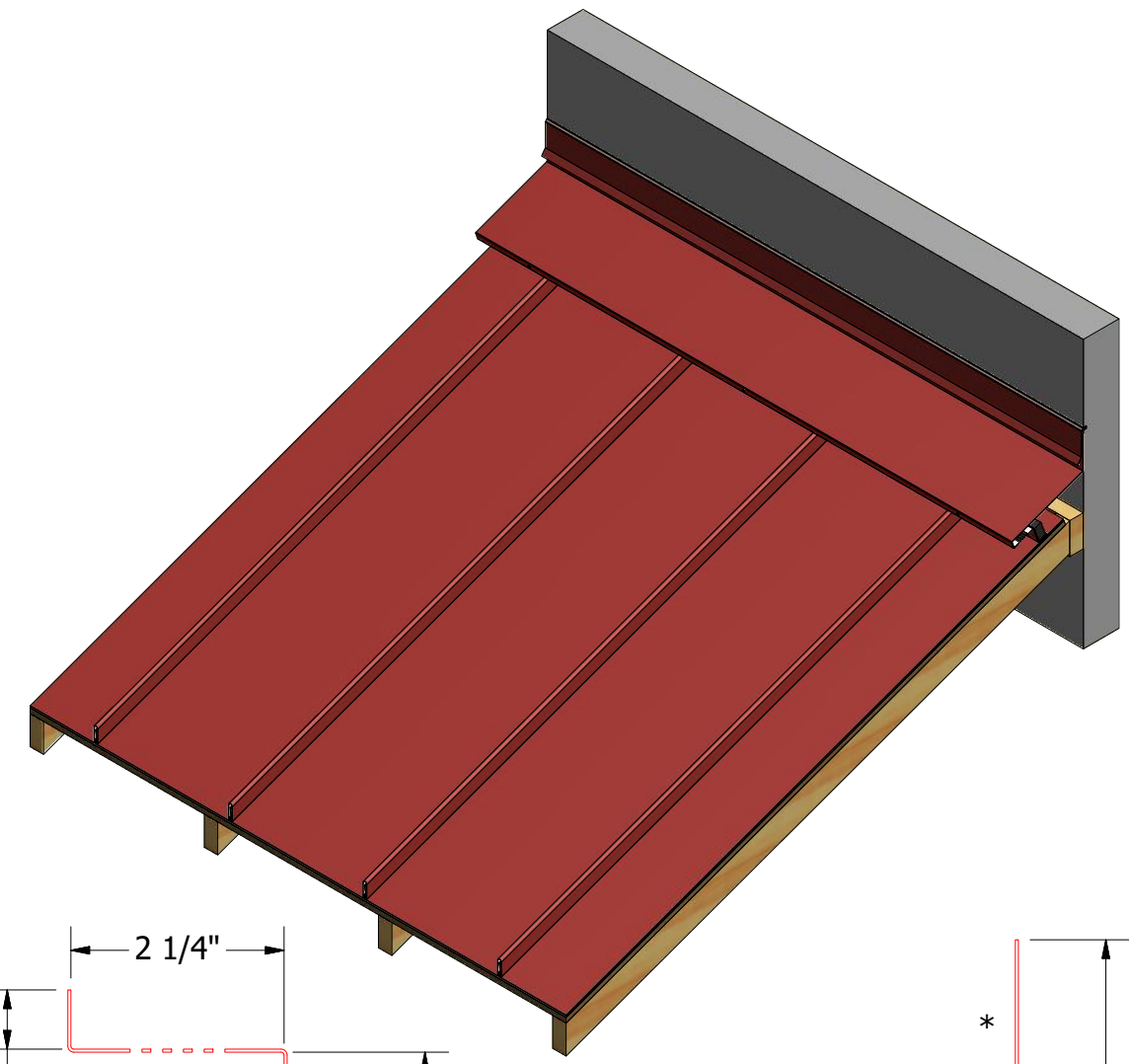
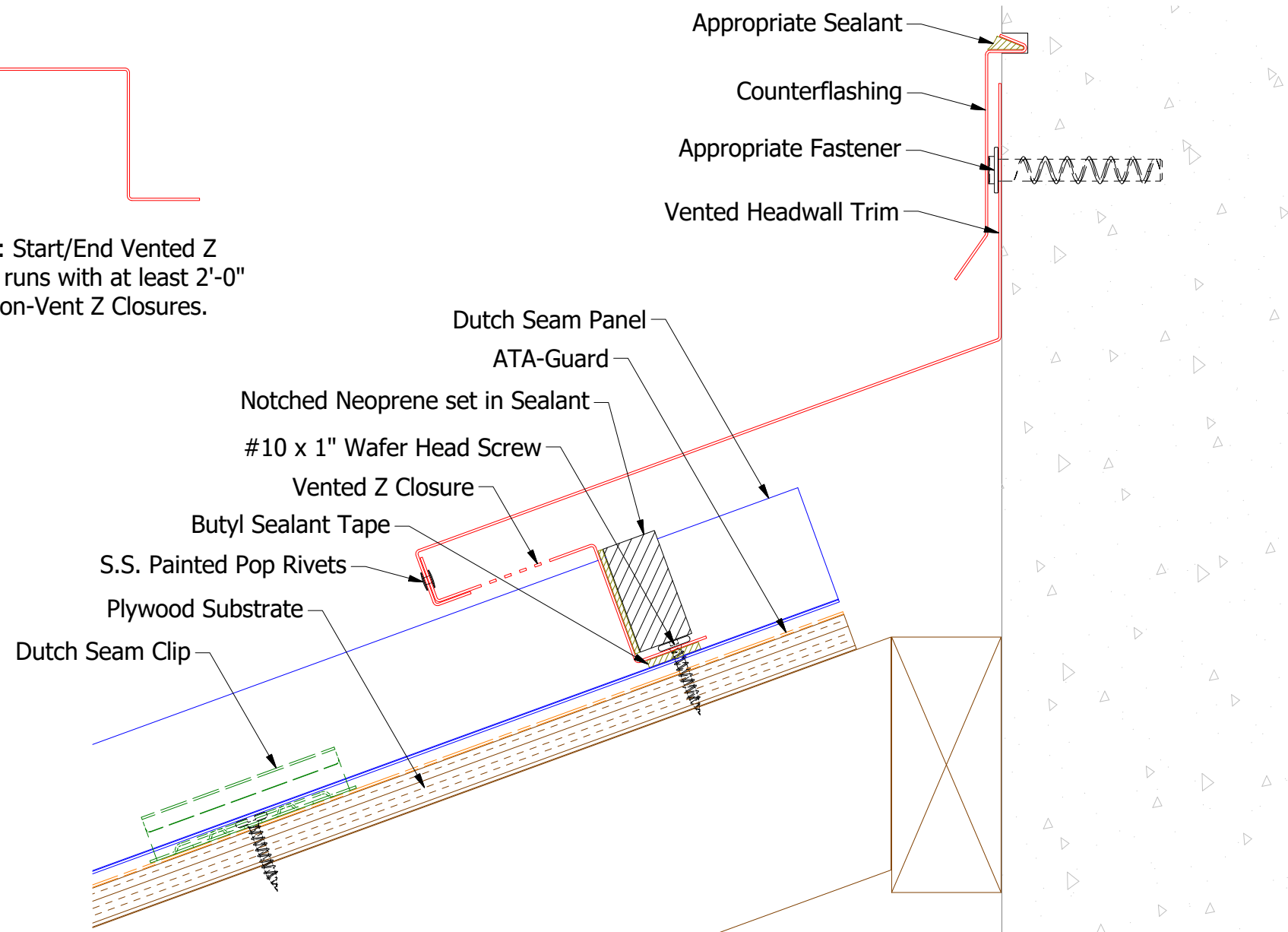
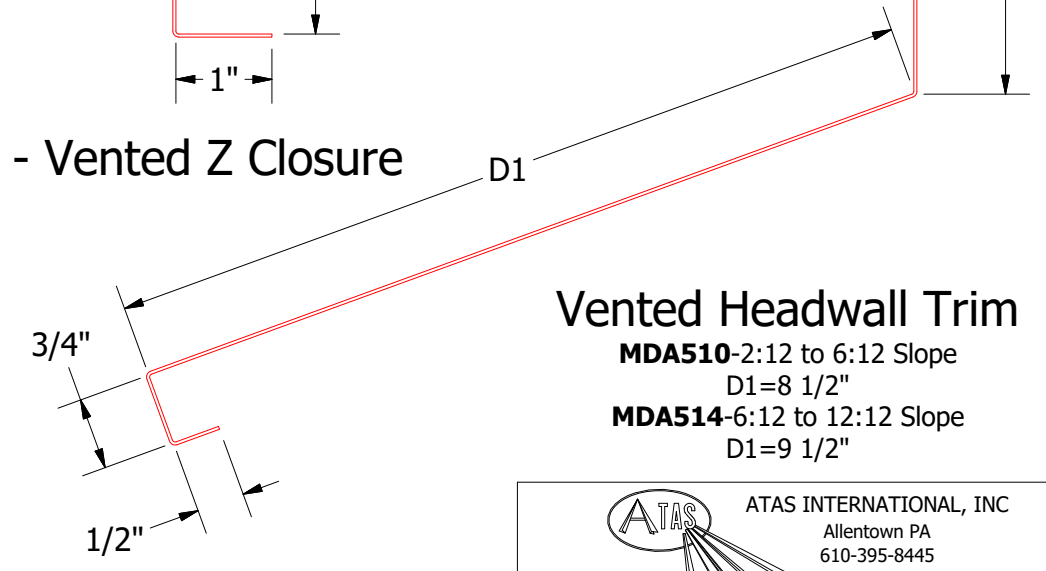


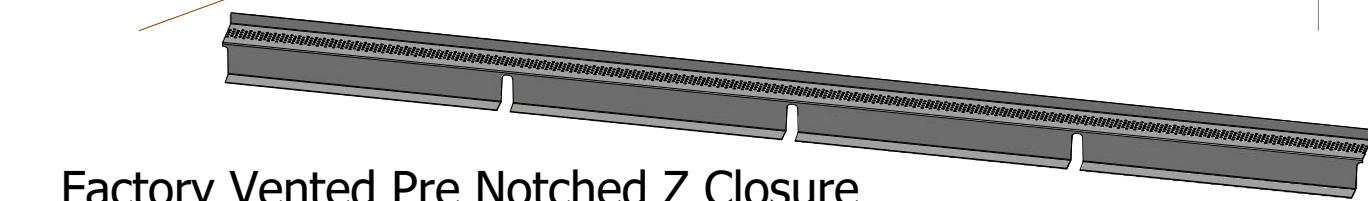
Note: Start/End Vented Z Closure runs with at least 2'-0" of Non-Vent Z Closures.



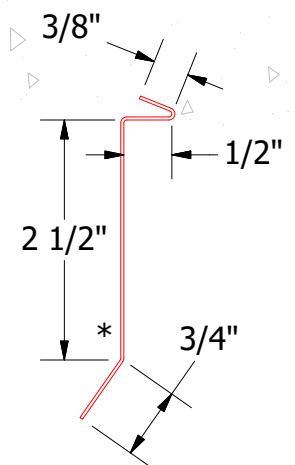
MDA911 - Vented Z Closure



Vented Headwall Trim
MDA510-2:12 to 6:12 Slope
 D1=8 1/2"
MDA514-6:12 to 12:12 Slope
 D1=9 1/2"



Factory Vented Pre Notched Z Closure
11" Panel - Factory Vented Pre Notched Z Closure will cover 5 Panels.
15" Panel - Factory Vented Pre Notched Z Closure will cover 4 Panels.
19 1/4" Panel - Factory Vented Pre Notched Z Closure will cover 3 Panels.



MDA980-Counterflashing

Note: * denotes color side.
 Note: Neoprene Closures are not required if Factory Pre Notched Z Closures are utilized.

ATAS ATAS INTERNATIONAL, INC
 Allentown PA
 610-395-8445
 Mesa AZ
 480-558-7210

REV. NO.		DATE		DESCRIPTION OF REVISION		BY		APP		MATERIAL		SH. SIZE		SCALE	
01	5/29/2019			Updated Clip Information	AJZ	KRK						B	X:X		

TITLE
Dutch Seam Vented Headwall Detail