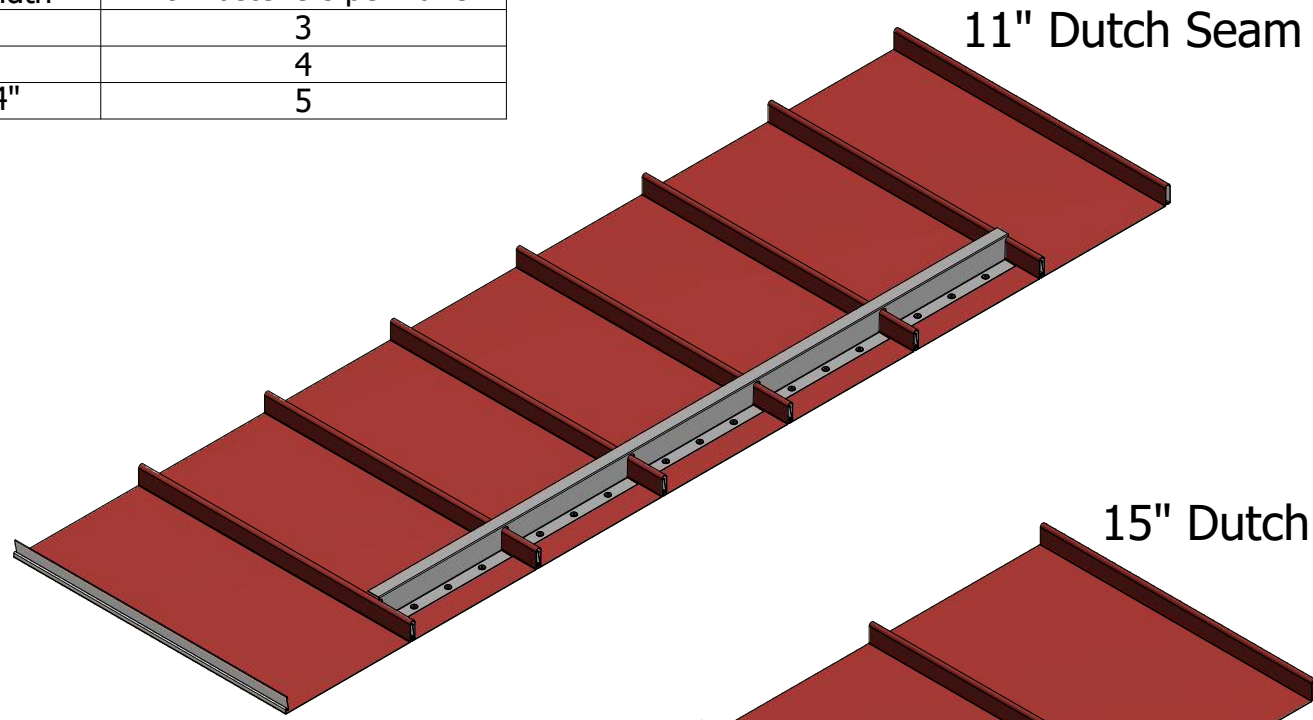
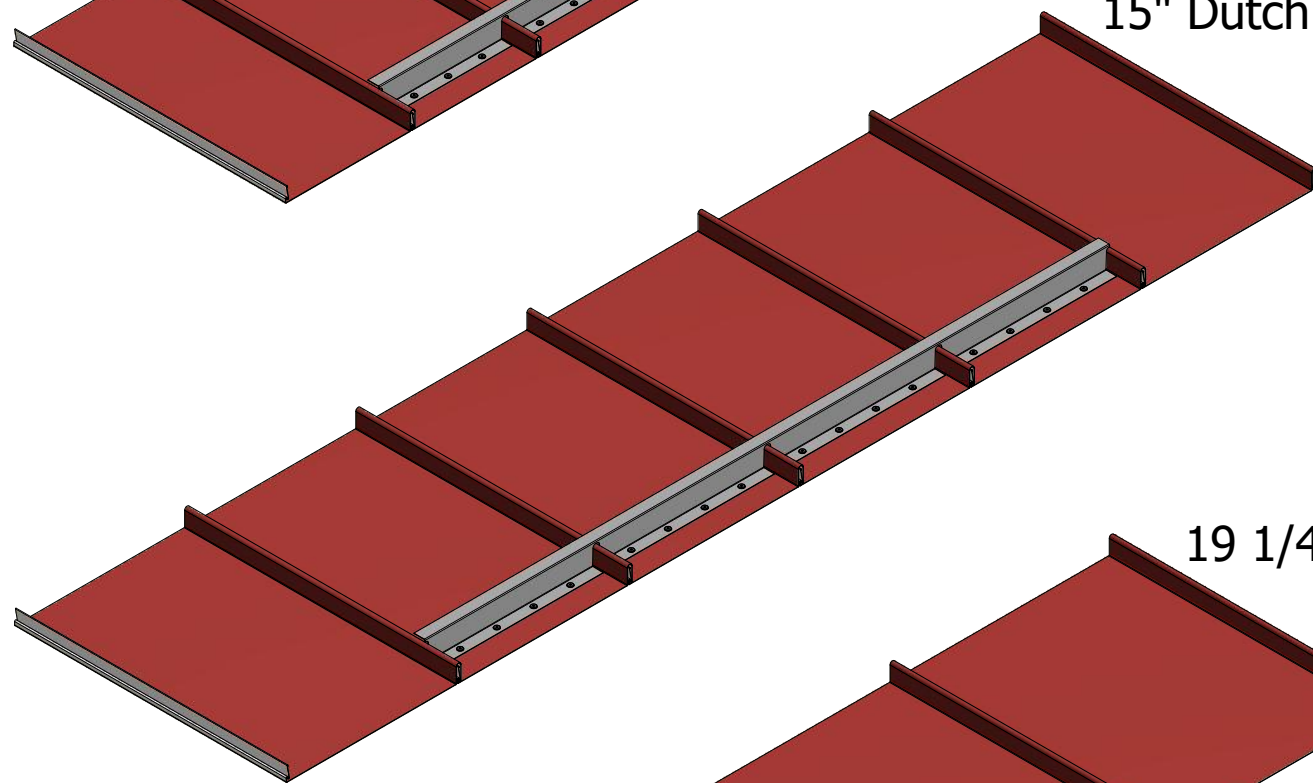


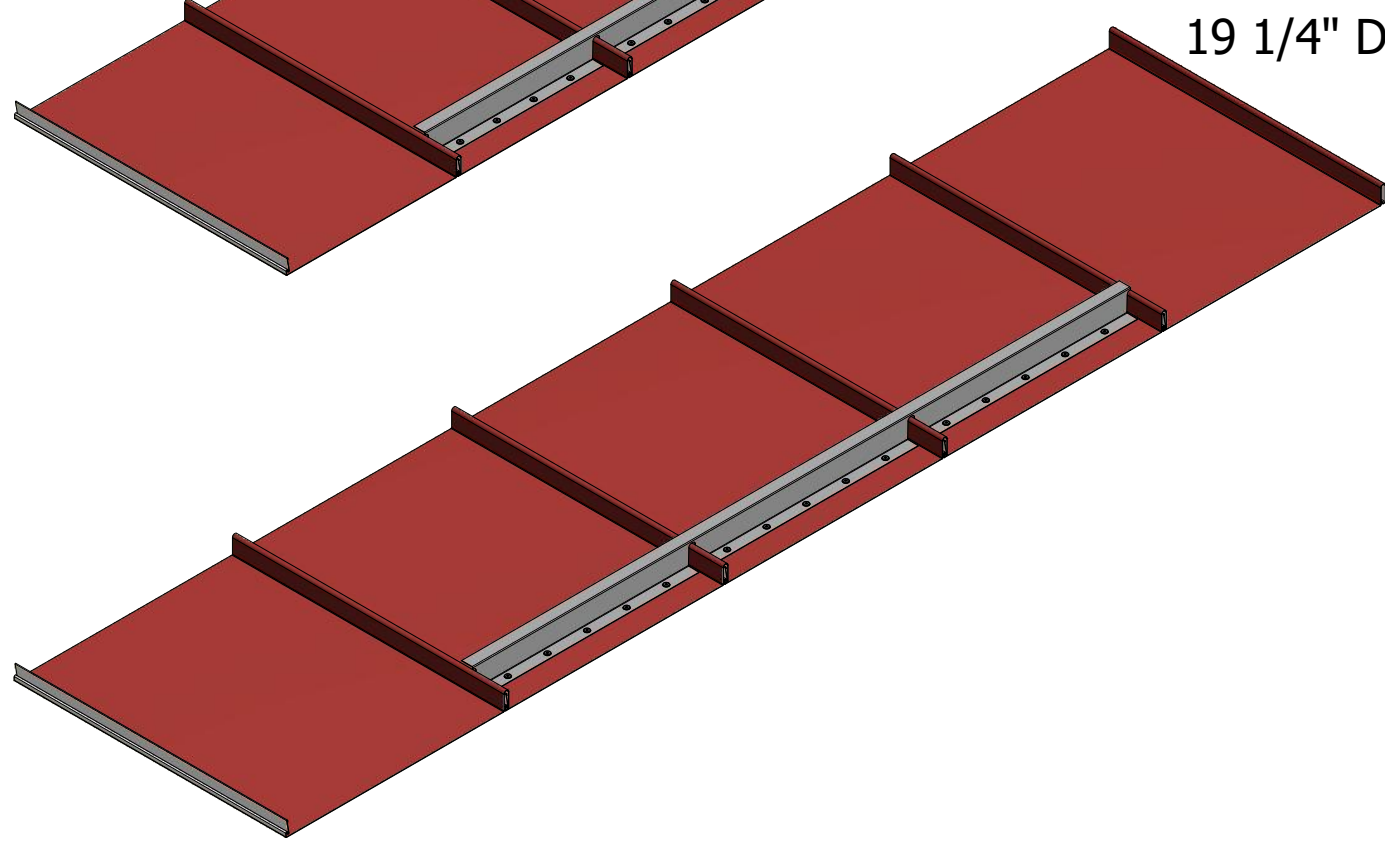
Fastener Quantity for Pre-Notched Z Closures	
Panel Width	# of Fasteners per Panel
11"	3
15"	4
19 1/4"	5



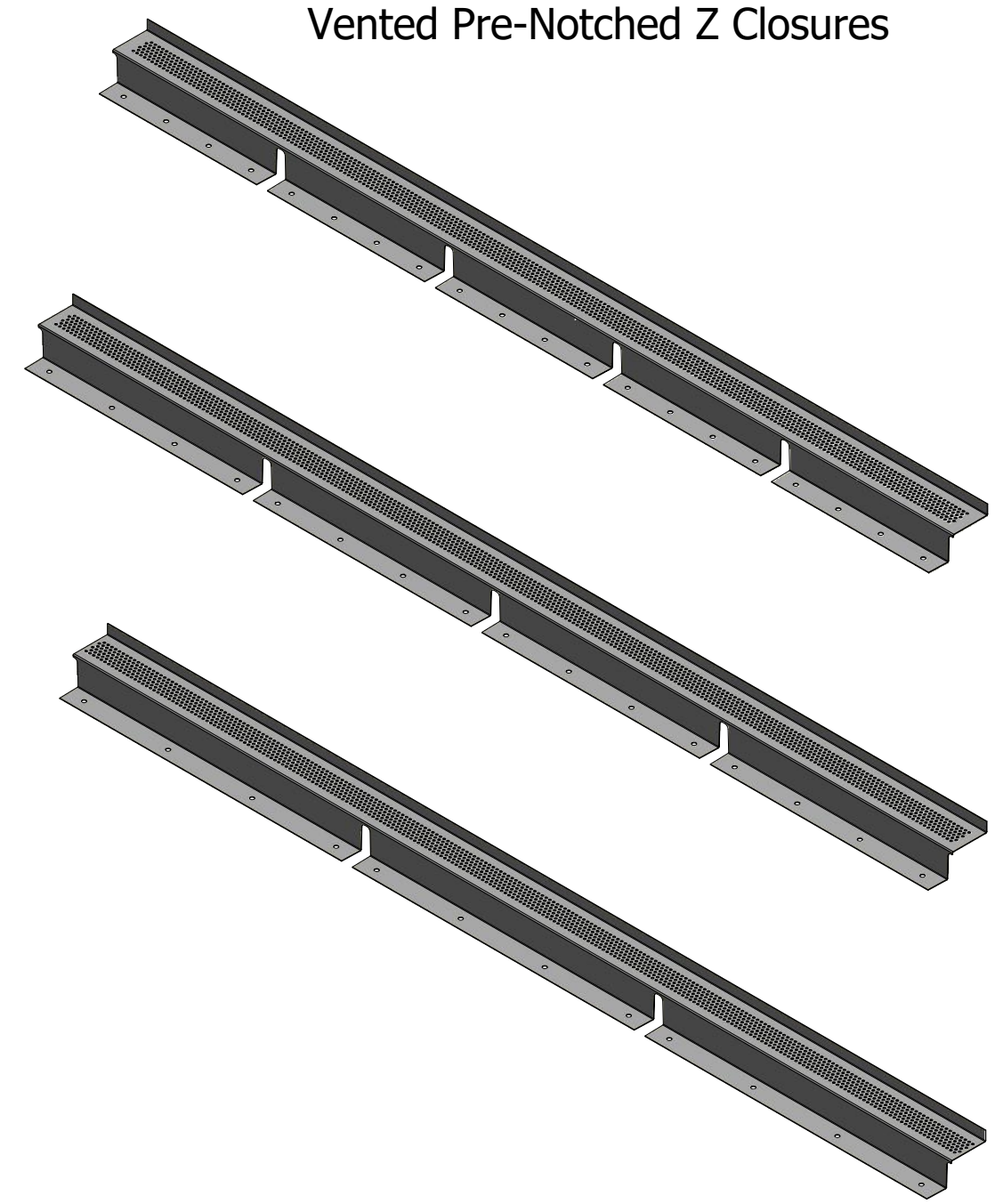
11" Dutch Seam



15" Dutch Seam



19 1/4" Dutch Seam



Vented Pre-Notched Z Closures



ATAS INTERNATIONAL, INC
 Allentown PA
 610-395-8445
 Mesa AZ
 480-558-7210

TITLE
Dutch Seam Pre-Notched Z Closure Detail

REV. NO.	DATE	DESCRIPTION OF REVISION	BY	APP	DWG. NO.	DR KRK	DATE 1/21/2015
						APP	DATE
					MATERIAL	SH. SIZE B	SCALE X:X