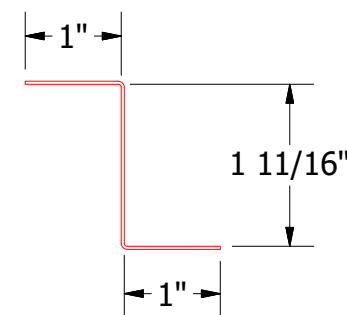


### Factory Pre Notched Z Closure

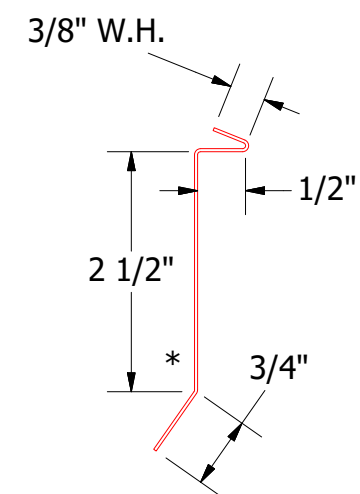
- 11" Panel** - Factory Pre Notched Z Closure will cover 5 Panels.
- 15" Panel** - Factory Pre Notched Z Closure will cover 4 Panels.
- 19 1/4" Panel** - Factory Pre Notched Z Closure will cover 3 Panels.

Note: \* denotes color side.

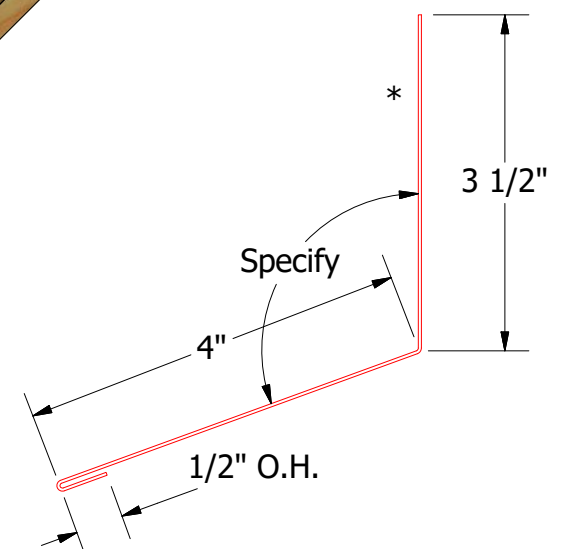
**Note:** Neoprene Closures are not required if Factory Pre Notched Z Closures are utilized.



MDA910-Z Closure



MDA980-Counterflashing



MDA500-Headwall Trim

**ATAS** ATAS INTERNATIONAL, INC  
 Allentown PA  
 610-395-8445  
 Mesa AZ  
 480-558-7210

REV. NO.		DATE	DESCRIPTION OF REVISION	BY	APP	TITLE	
01	5/29/2019		Updated Clip Information	AJZ	KRK	Dutch Seam Headwall Detail	
						DWG. NO.	DR KRK DATE 1/27/2015
						MATERIAL	APP DATE
						SH. SIZE	B SCALE X:X