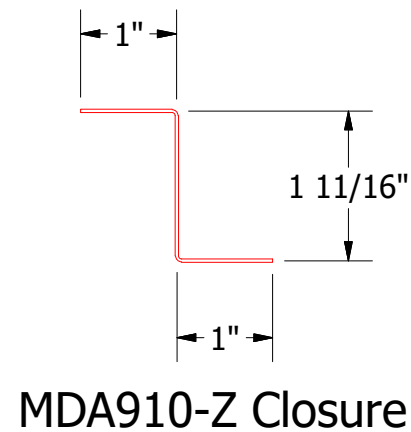


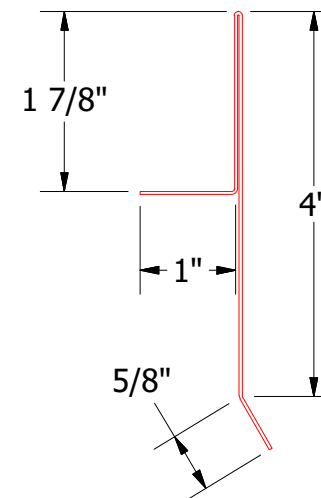
Butyl Tape Detail (N.T.S.)

Note: * denotes color side.

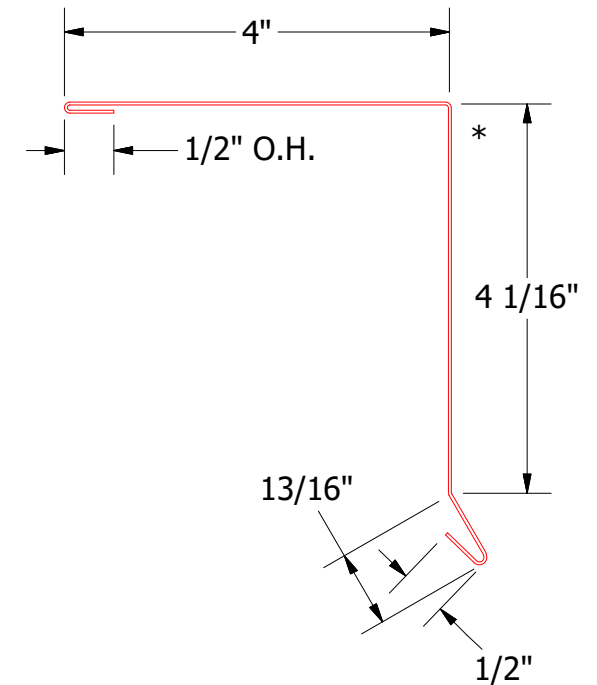
Note 1: Install ATA Shield down Fascia as shown.



MDA910-Z Closure



MDA211-Gable Starter Cleat



MDA210-Gable Trim Cap

		ATAS INTERNATIONAL, INC Allentown PA 610-395-8445 Mesa AZ 480-558-7210	
TITLE Dutch Seam Ending Gable Detail			
03	5/29/2019	Updated Clip Information	AJZ KRK
02	2/8/2018	Updated ATA Shield Installation	KRK
01	6/7/2017	Updated Trim Hems	KRK
REV. NO.	DATE	DESCRIPTION OF REVISION	BY APP
DWG. NO.		DR	DATE
MATERIAL		APP	DATE
SH. SIZE		B	SCALE
			X:X