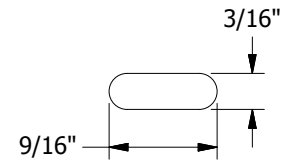
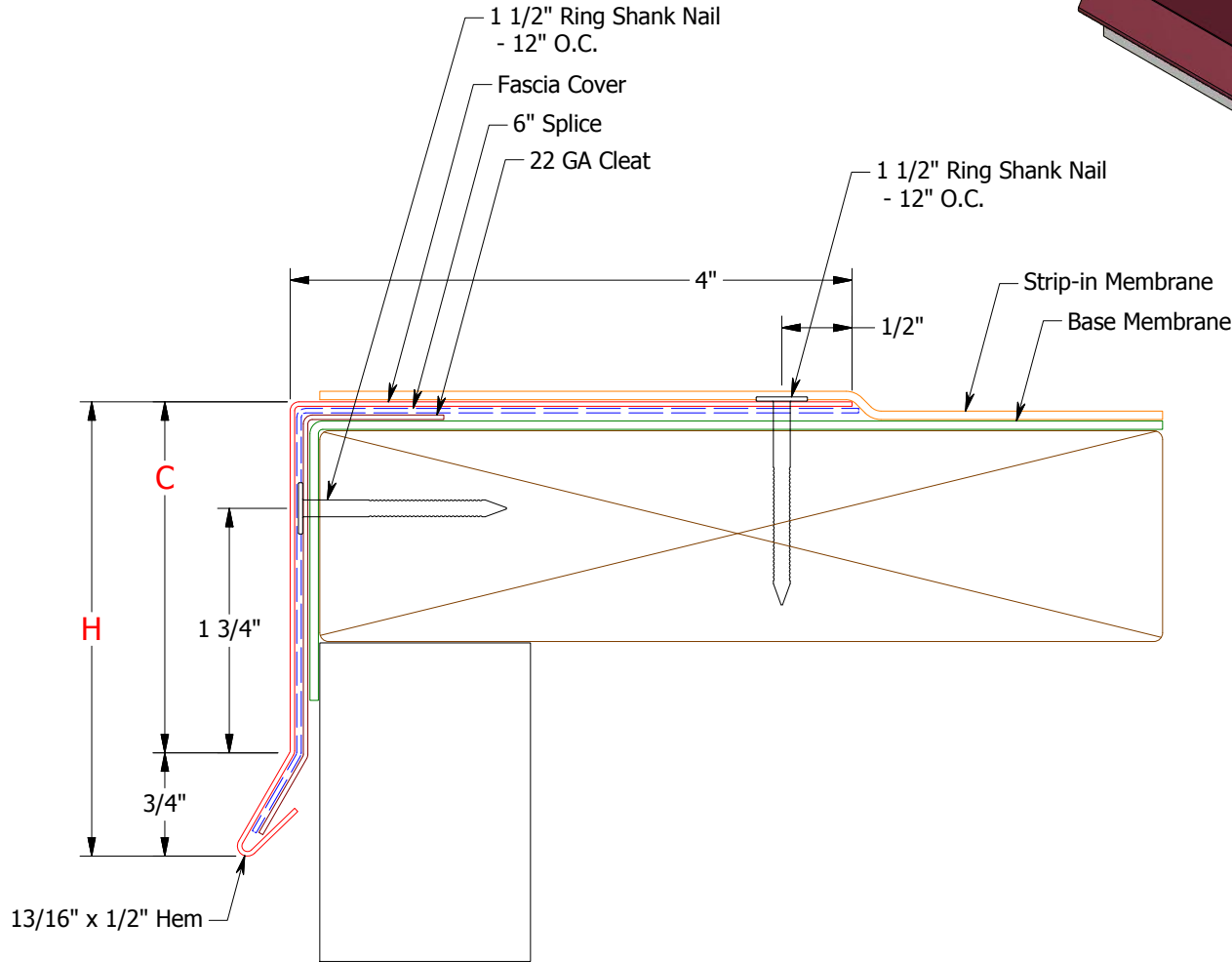
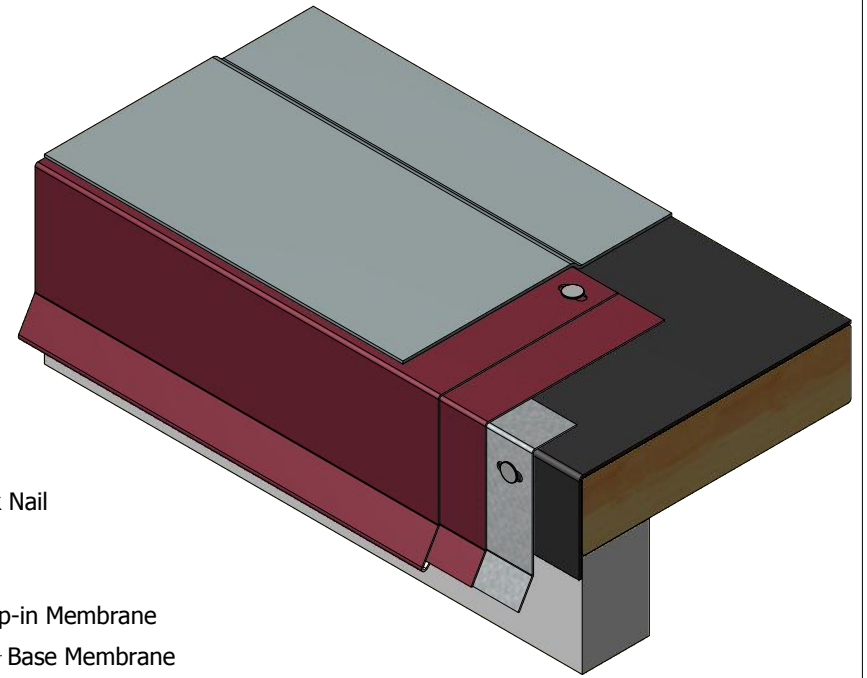


BOM per 12'		Standard Materials		Dimensions	
Component	Quantity	Material	Available Gauges	Coverage (C)	Height (H)
Fascia Cover	1	Pre-Finished Steel	24 GA, 22 GA	2-1/2"	3-1/4"
6" Splice	1	Stainless Steel	24 GA, 22 GA	4"	4-3/4"
Continuous 22 GA Cleat	1	Pre-Finished Alum.	.040, .050, .063	5-1/2"	6-1/4"
1 1/2" Ring Shank nail	24	Mill Alum.	.040, .050, .063	7"	7-3/4"



Top and Side Face Slotting

Tested per ANSI/SPRI ES-1



ATAS INTERNATIONAL, INC
 Allentown PA
 610-395-8445
 Mesa AZ
 480-558-7210

TITLE Drip Edge Fascia Product Detail			
DWG. NO.	DR	PJR	DATE 08-14-15
MATERIAL	APP		DATE
REV. NO.	DATE	DESCRIPTION OF REVISION	BY APP
	SH. SIZE A	SCALE X:X	