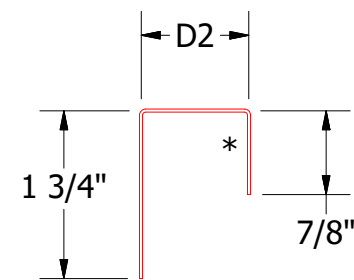
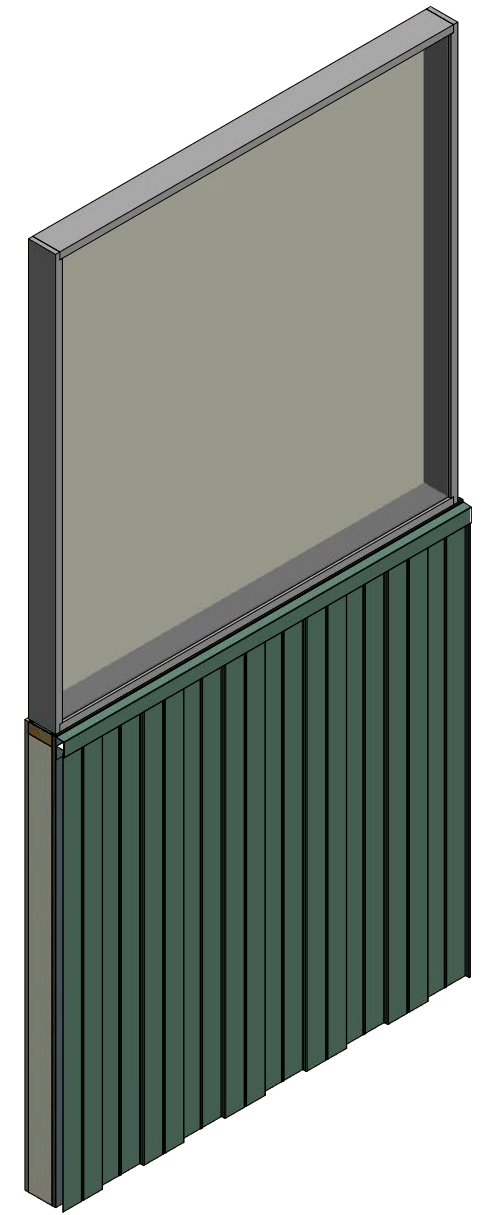
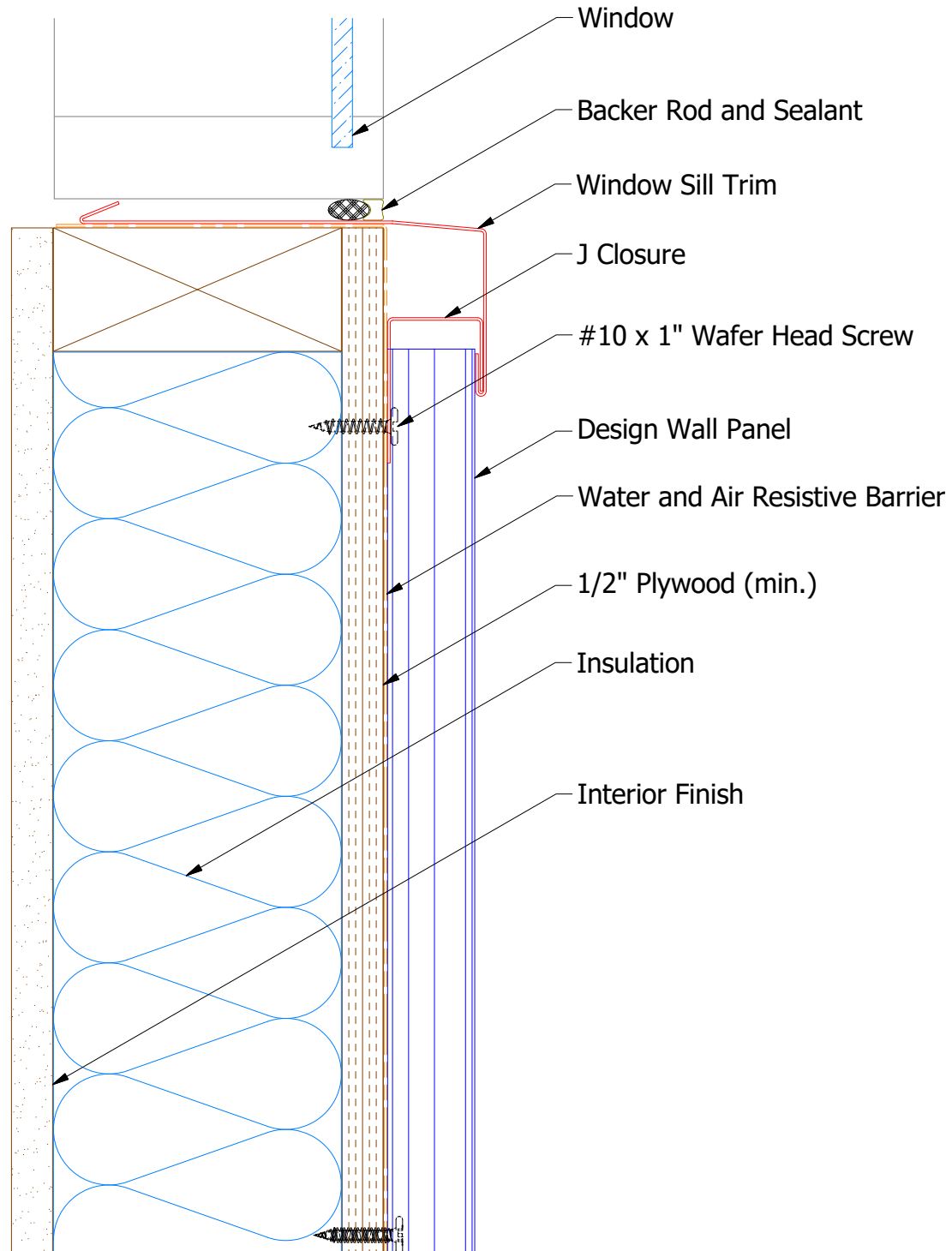
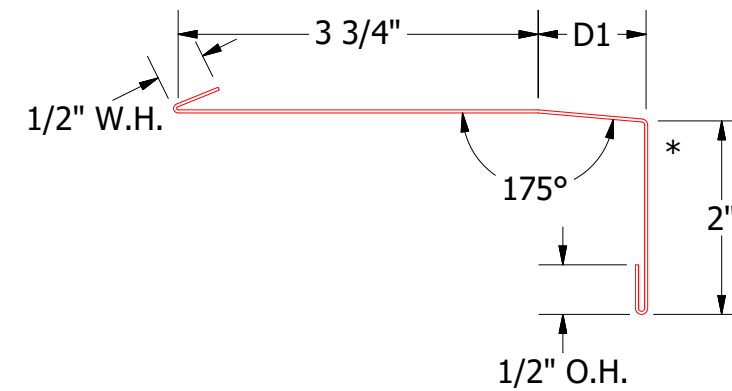


Vertical Panel



J Closure
 DWA270: D2= 1 1/8"
 DSA270: D2= 1 7/8"



Window Sill Trim
 DWA670: D1= 1 1/8"
 DSA670: D1= 1 7/8"

Note: * denotes color side.

| REV. NO. | DATE | DESCRIPTION OF REVISION | BY | APP | TITLE | DR | DATE |
|----------|-----------|--------------------------------|-----|-----|--------------------------------|----------|-----------|
| 01 | 7/19/2021 | Changed Pop Rivets to VHB Tape | DMR | | Design Wall Window Sill Detail | DMR | 6/29/2016 |
| | | | | | | DAS | 7/26/16 |
| | | | | | MATERIAL | SH. SIZE | SCALE |
| | | | | | | B | X:X |

ATAS ATAS INTERNATIONAL, INC
 Allentown PA
 610-395-8445
 Mesa AZ
 480-558-7210