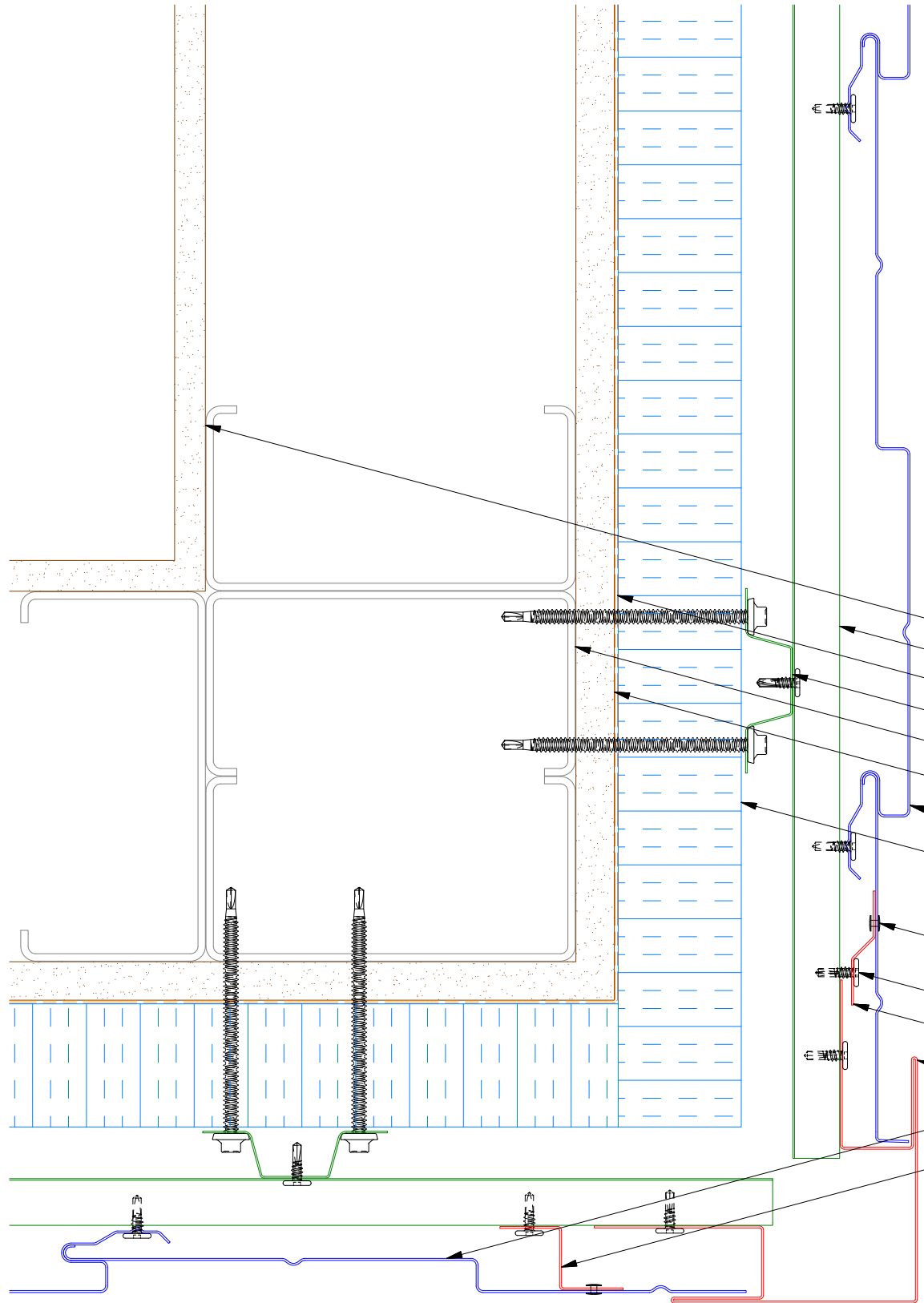
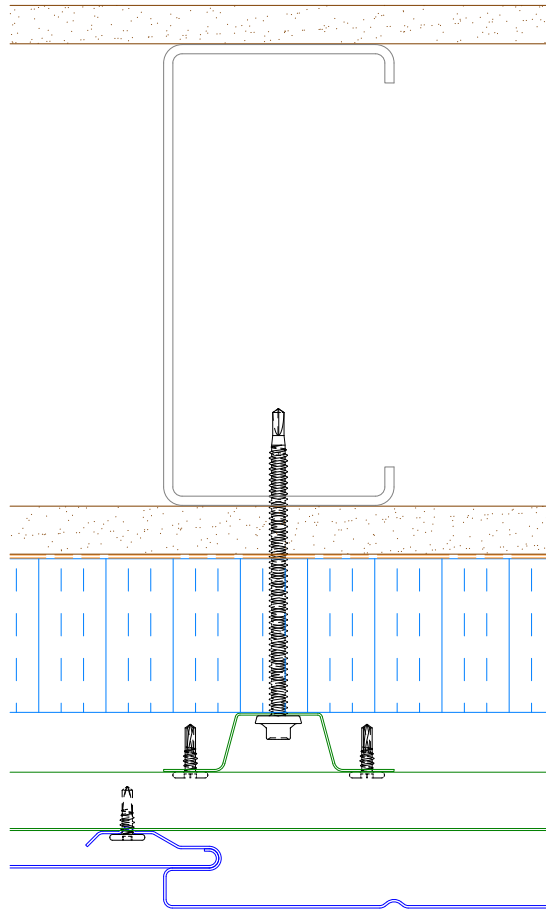


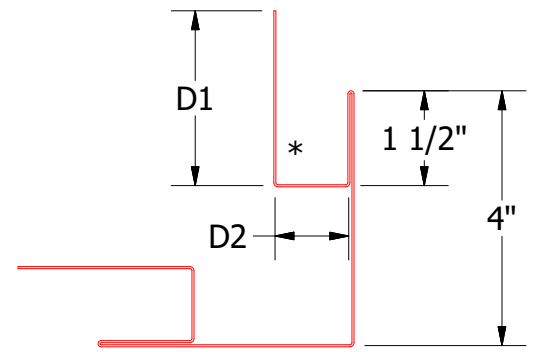
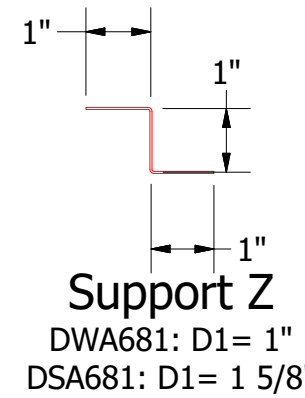
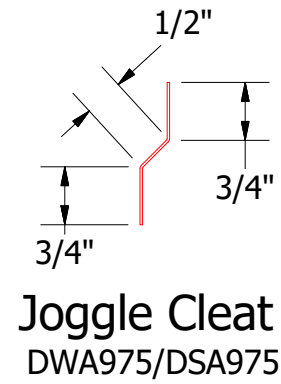
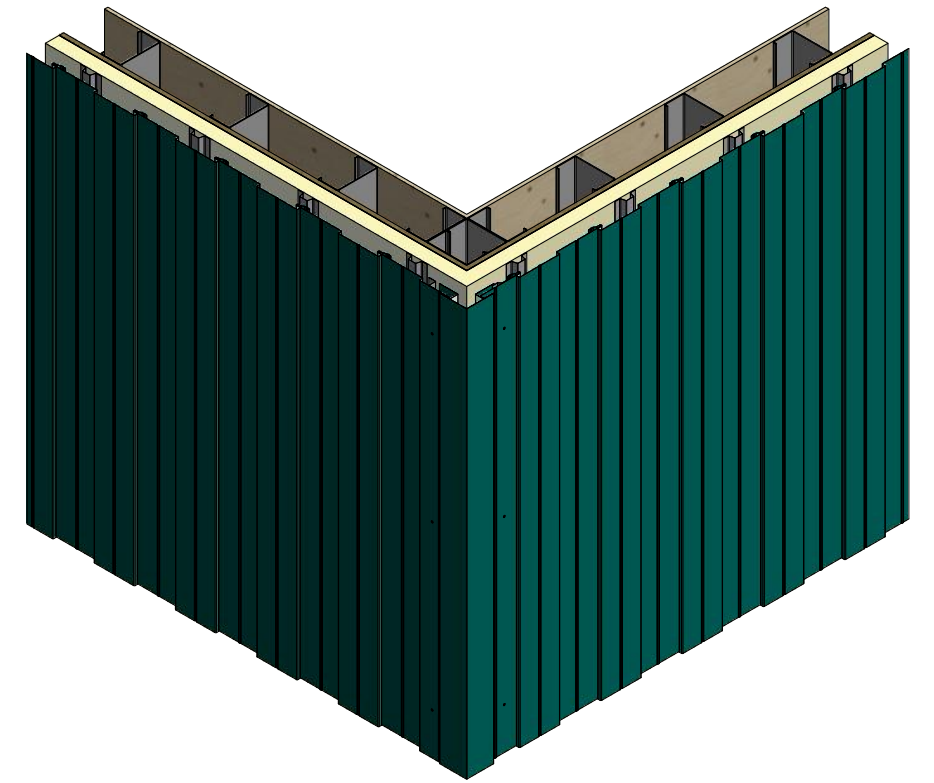
# Vertical Panel



## Alternative Subgirt Orientation



- Interior Finish
- Horizontal Subgirt
- Water and Air Resistant Barrier
- Vertical Subgirt
- Metal Wall Stud
- Exterior Gypsum Board
- Design Wall Panel (Low Rib Panel)
- Water Resistant Insulation
- Painted Pop Rivet
- #10 x 5/8" Wafer Head Fastener
- Joggle Cleat
- Outside Corner Post
- Design Wall Panel (High Rib Panel)
- Support Z



**ATAS** ATAS INTERNATIONAL, INC  
Allentown PA  
610-395-8445  
Mesa AZ  
480-558-7210

TITLE				Design Wall Open Outside Corner Detail	
DWG. NO.		DR	DMR	DATE	7/19/2016
01	9/22/2021	APP		DATE	
REV. NO.	DATE	DESCRIPTION OF REVISION	BY	APP	SCALE
		Updated Outside Corner Dimensions	KRK		B X:X