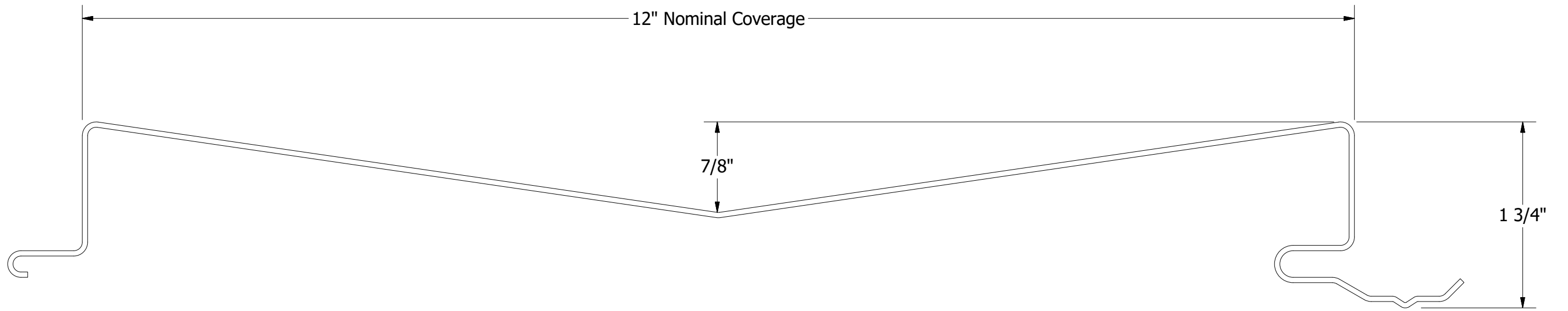


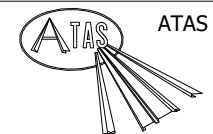
DWF & DWH Design Wall Panels

TITLE				Design Wall Panel Profile Detail			
DWG. NO.				DR	KRK	DATE	7/26/2016
MATERIAL				APP	DAS	DATE	7/26/2016
REV. NO.	DATE	DESCRIPTION OF REVISION	BY	APP	SH. SIZE	B	SCALE X:X



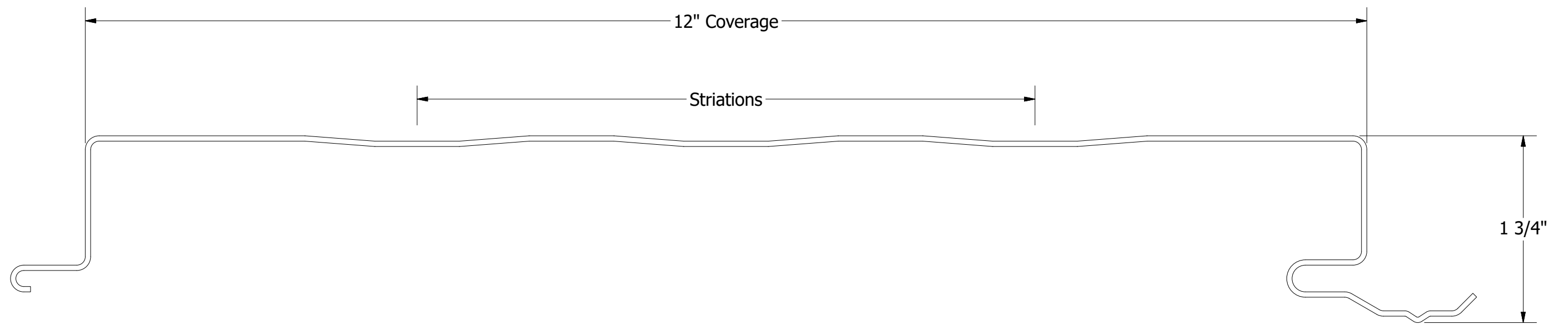
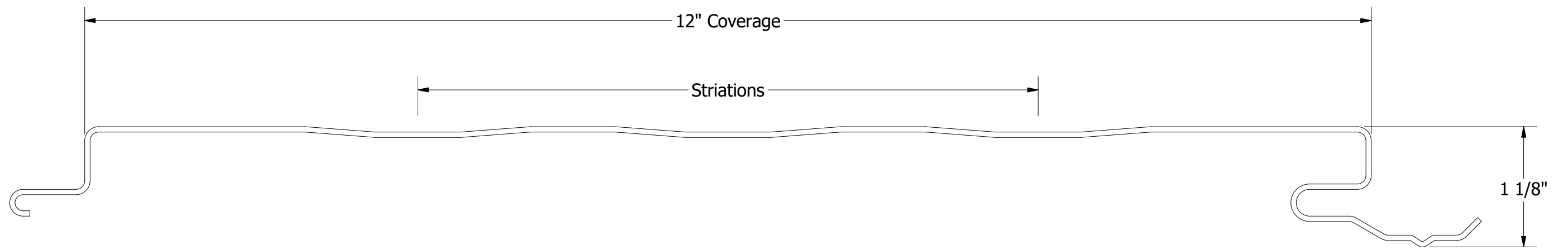
DSV120 - Design Wall Panel

Minimum Length: 3'-0"
 Maximum Length: 26'-0"



ATAS INTERNATIONAL, INC
 Allentown PA
 610-395-8445
 Mesa AZ
 480-558-7210

				TITLE		Design Wall Panel Profile Detail			
				DWG. NO.		DR	KRK	DATE	7/26/2016
						APP	DAS	DATE	7/26/2016
				MATERIAL		SH. SIZE	B	SCALE	X:X
REV. NO.	DATE	DESCRIPTION OF REVISION	BY	APP					



Minimum Length: 6'-0"
 Maximum Length: 26'-0"

REV. NO.		DATE	DESCRIPTION OF REVISION	BY	APP	TITLE	
						Design Wall Panel Profile Detail	
DWG. NO.					DR	KRK	DATE 7/26/2016
					APP	DAS	DATE 7/26/2016
MATERIAL					SH. SIZE	B	SCALE X:X


ATAS INTERNATIONAL, INC
 Allentown PA
 610-395-8445
 Mesa AZ
 480-558-7210