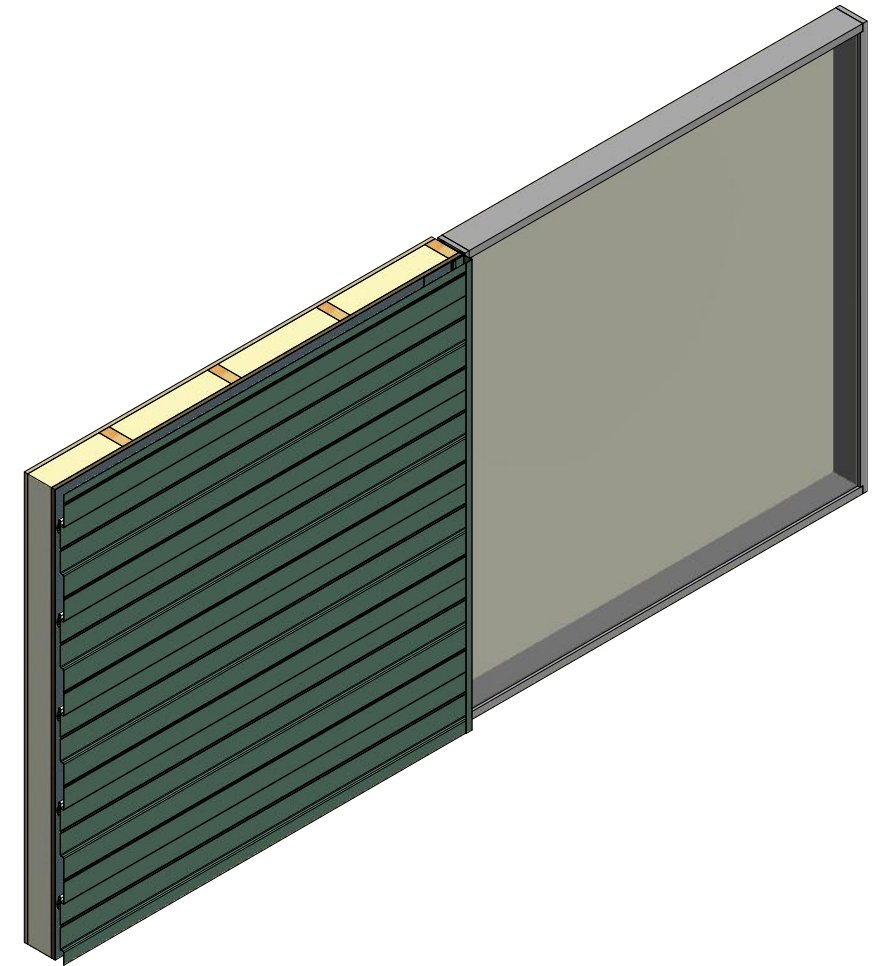
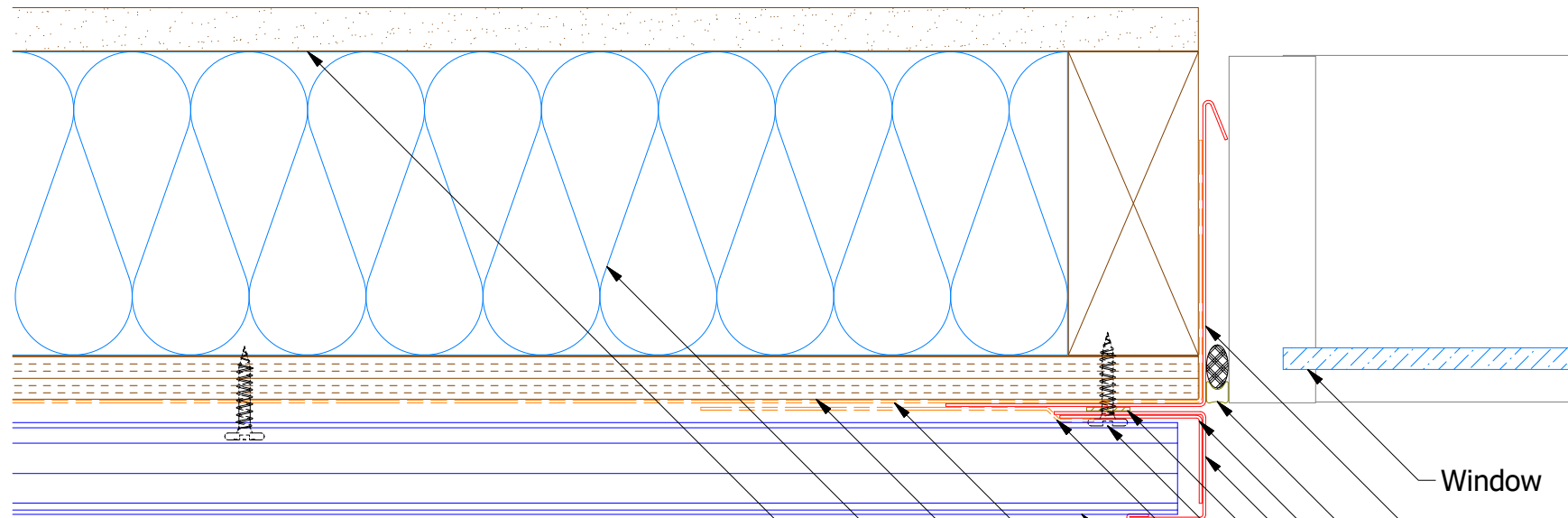
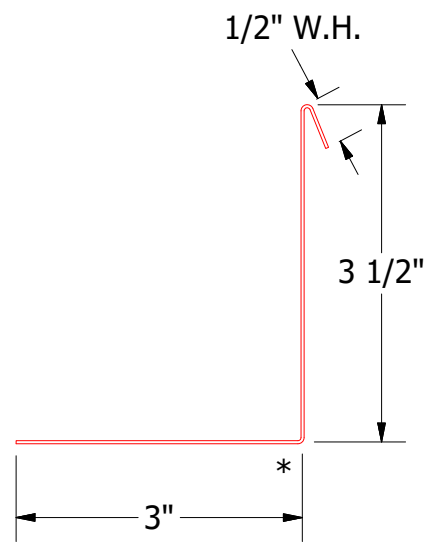


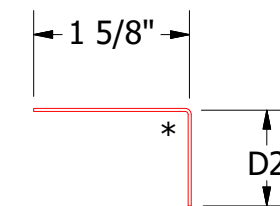
# Horizontal Panel



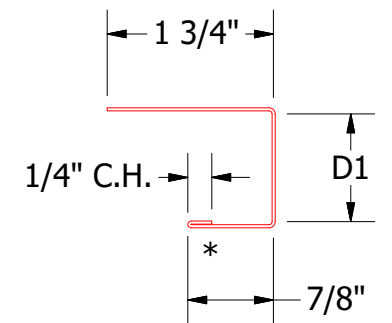
- Window
- Angle Trim With Return
- Backer Rod and Sealant
- Angle Trim
- J Channel
- Butyl Tape
- #10 x 1" Wafer Head Screw
- Membrane Strip over J Channel and Angle Trim
- Design Wall Panel
- Water and Air Resistive Barrier
- 1/2" Plywood (min.)
- Insulation
- Interior Finish



DWA683/DSA683 - Angle Trim With Return



**Angle Trim**  
 DWA680: D2= 1"  
 DSA680: D2= 1 3/4"



**J Channel**  
 DWA118: D1= 1 1/8"  
 DSA178: D1= 1 7/8"

**Note:** \* denotes color side.

REV. NO.	DATE	DESCRIPTION OF REVISION	BY	APP	TITLE	DWG. NO.	DR	DATE
02	7/19/2021	Changed Pop Rivets to VHB Tape	DMR		Design Wall Jamb Detail		DMR	6/27/2016
01	11/6/2019	Updated SKU # for Angle Trim	KRK				DAS	7/26/16
							B	X:X

**ATAS** INTERNATIONAL, INC  
 Allentown PA  
 610-395-8445  
 Mesa AZ  
 480-558-7210