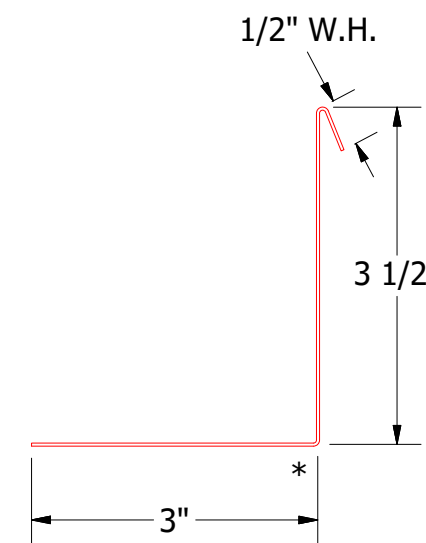
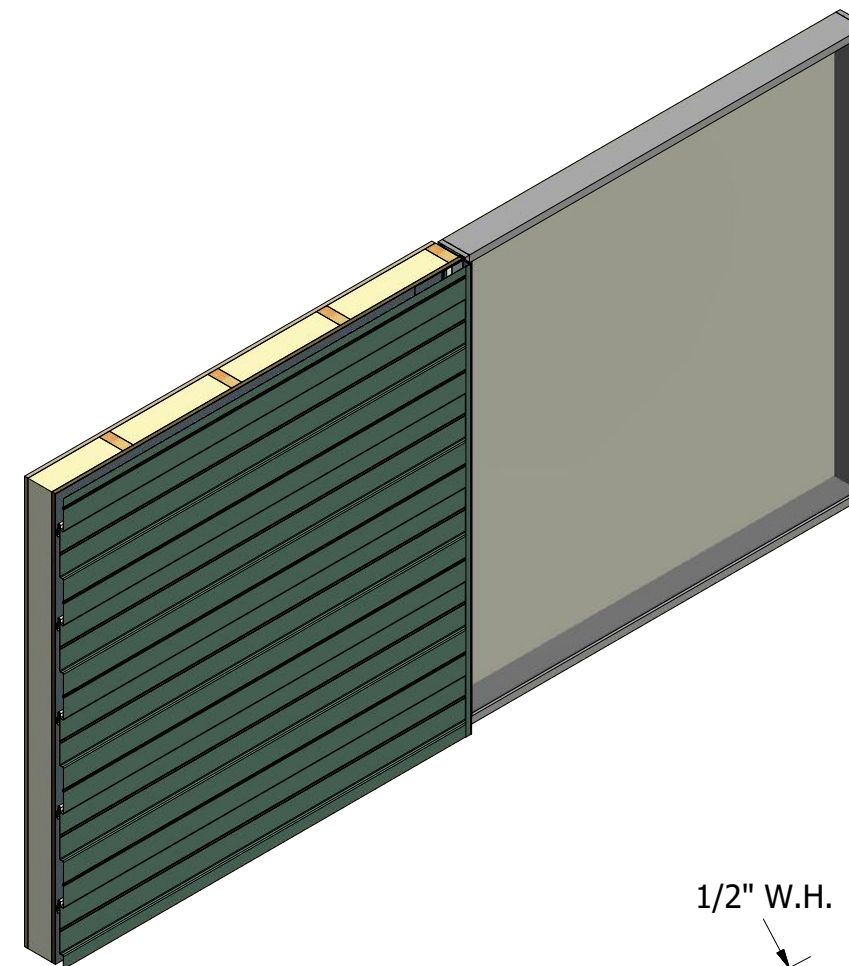
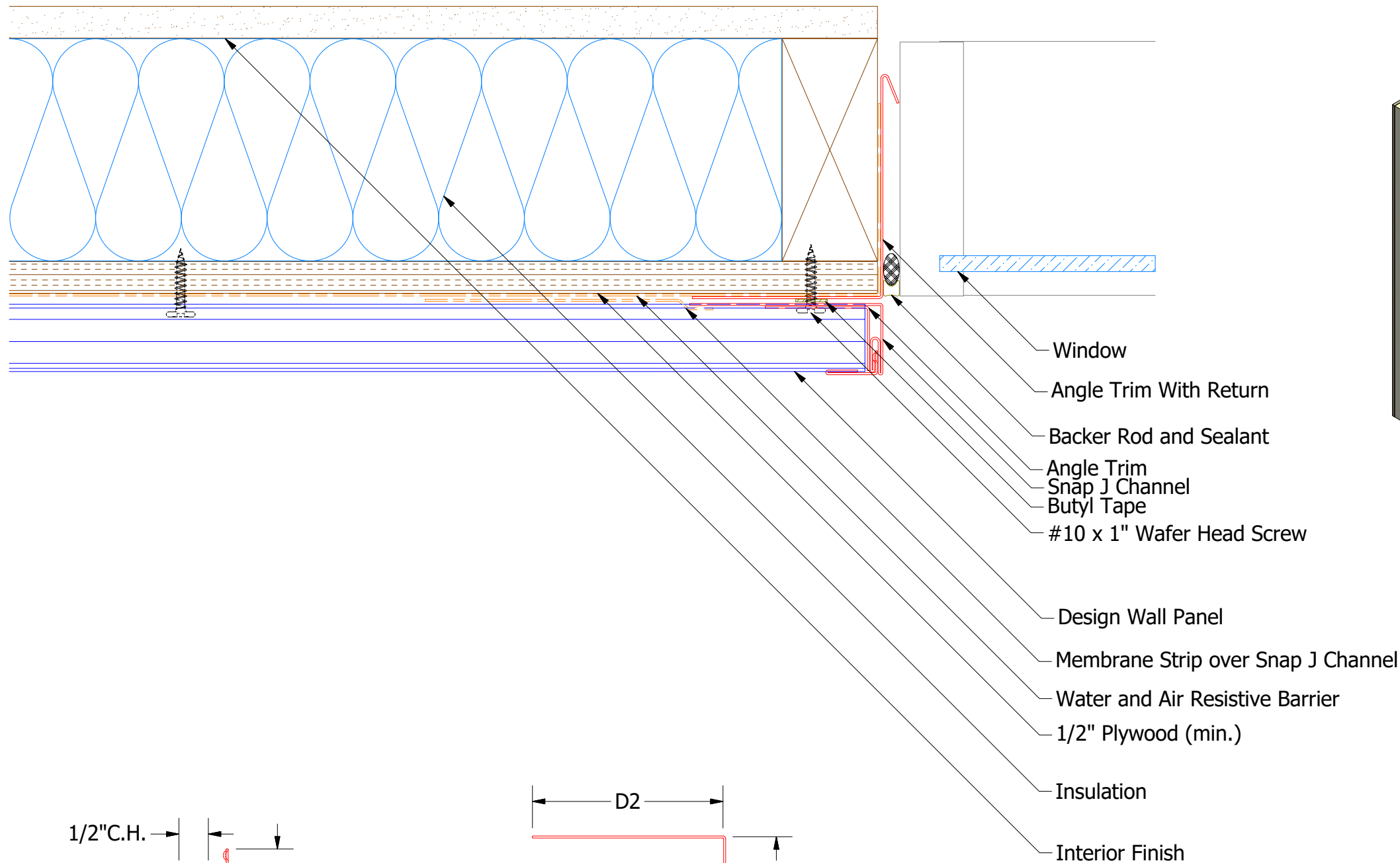
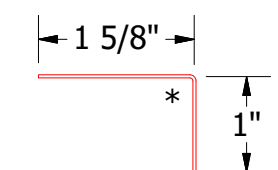


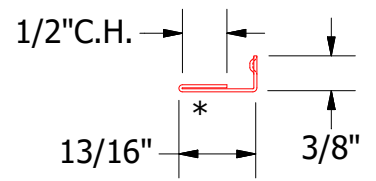
Horizontal Panel - Alternate



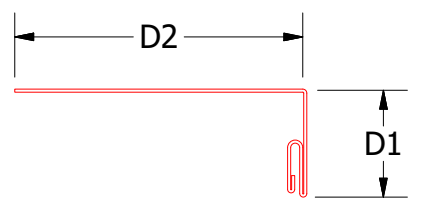
DWA683/DSA683 - Angle Trim With Return



Angle Trim
 DWA680: D2= 1"
 DSA680: D2= 1 3/4"



UNS078 - Snap J Cover



Snap J Base*
 DSA179: D1=1 7/8" ,D2=2 1/2"
 DWA159: D1=1 1/8" ,D2=3"

Note: * denotes color side.

REV. NO.		DATE	DESCRIPTION OF REVISION	BY	APP	TITLE		ATAS INTERNATIONAL, INC Allentown PA 610-395-8445 Mesa AZ 480-558-7210	
						DWG. NO.		DR	DATE
						MATERIAL		DMR	6/27/2016
						SH. SIZE		DAS	DATE
						SCALE		DAS	7/26/16
								B	X:X