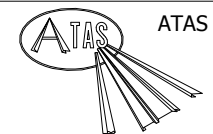
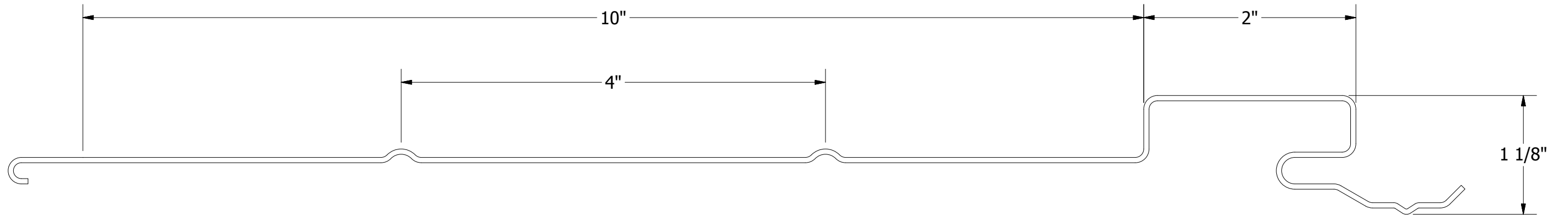
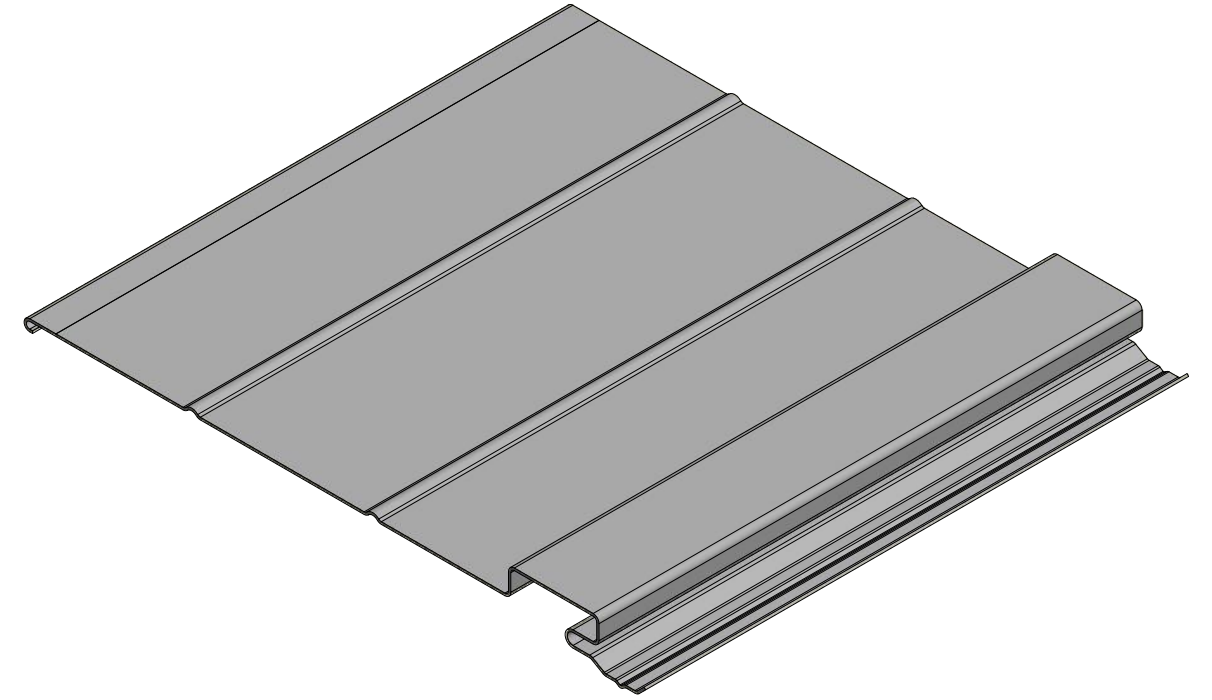


DWH120 - 2

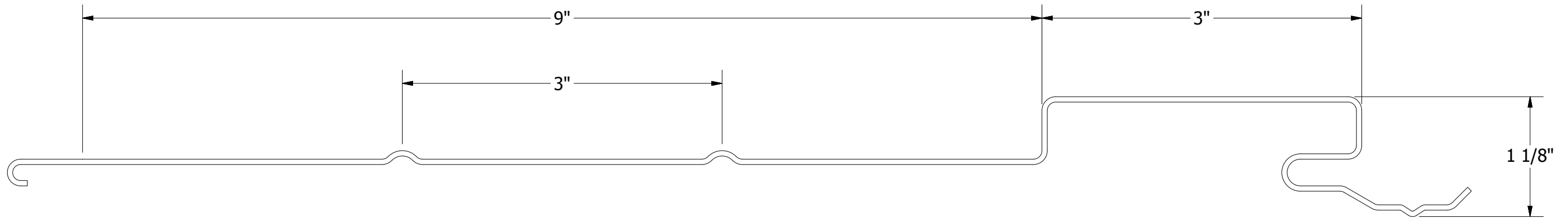
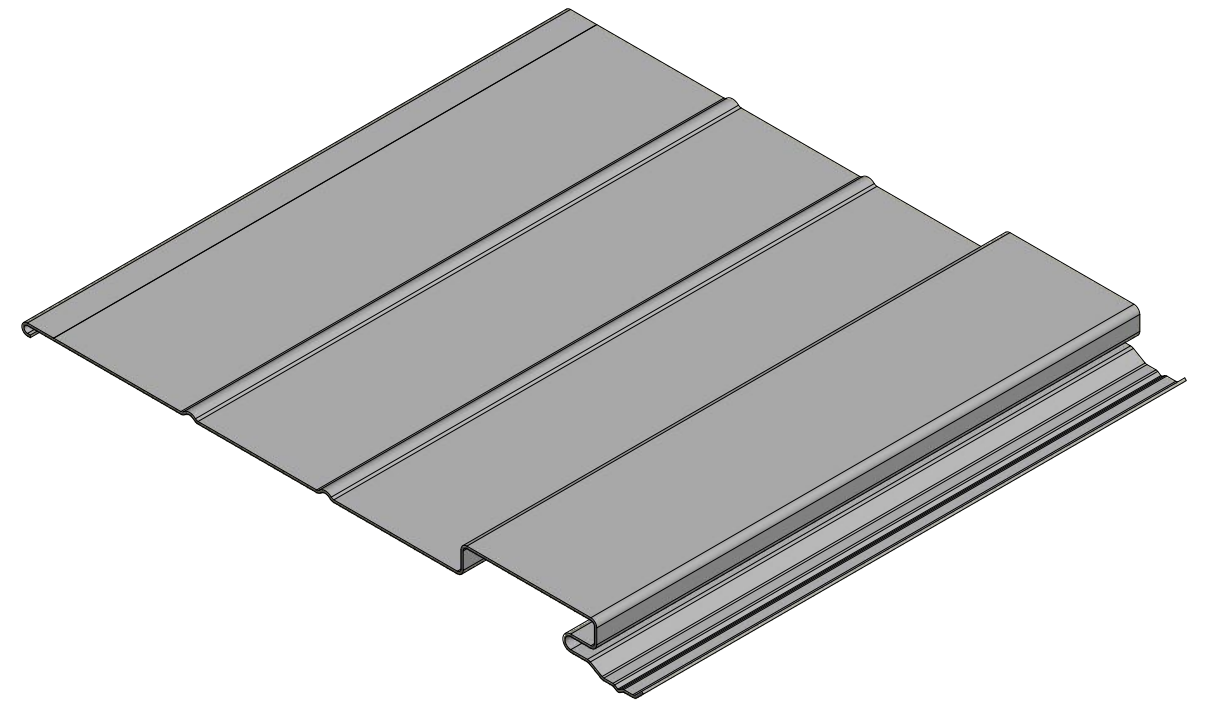


ATAS INTERNATIONAL, INC
 Allentown PA
 610-395-8445
 Mesa AZ
 480-558-7210

TITLE			DWH Panel Detail		
DWG. NO.		DR		DATE	
		DMR		10/30/2017	
MATERIAL		APP		DATE	
		SH. SIZE		SCALE	
		B		X:X	

REV. NO.	DATE	DESCRIPTION OF REVISION	BY	APP

DWH120 - 3

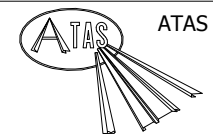
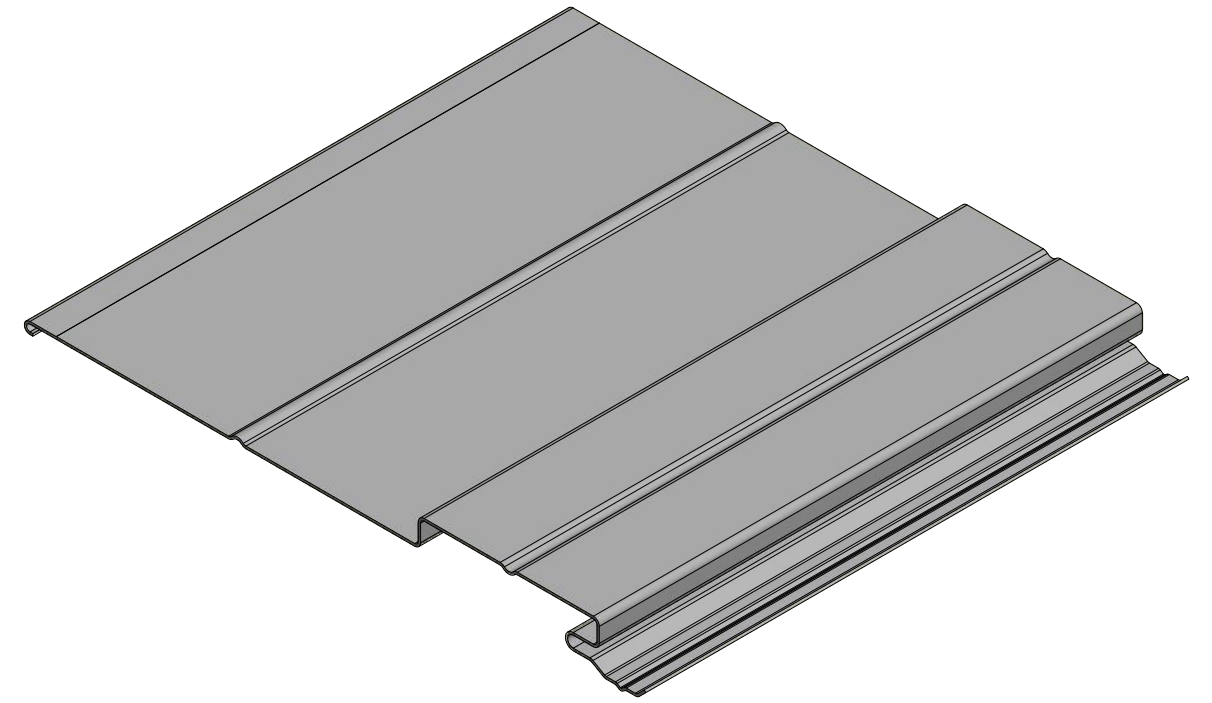



ATAS INTERNATIONAL, INC
 Allentown PA
 610-395-8445
 Mesa AZ
 480-558-7210

TITLE		DWH Panel Detail	
DWG. NO.	DR	DATE	
	DMR	10/30/2017	
MATERIAL	APP	DATE	
	SH. SIZE	SCALE	X:X
	B		

REV. NO.	DATE	DESCRIPTION OF REVISION	BY	APP

DWH120 - 4

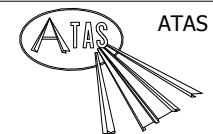
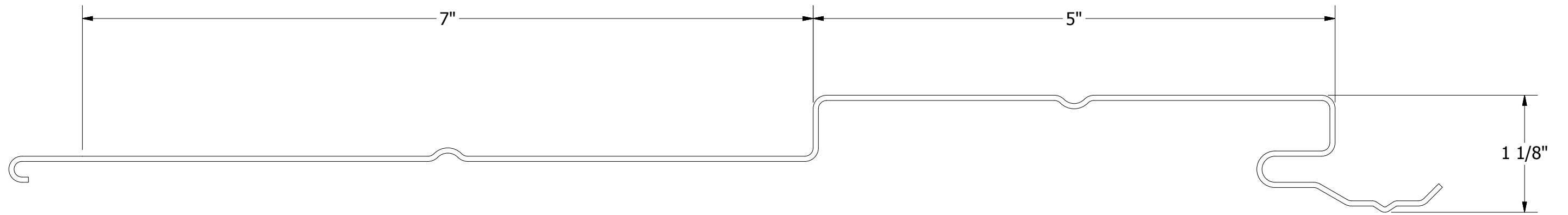
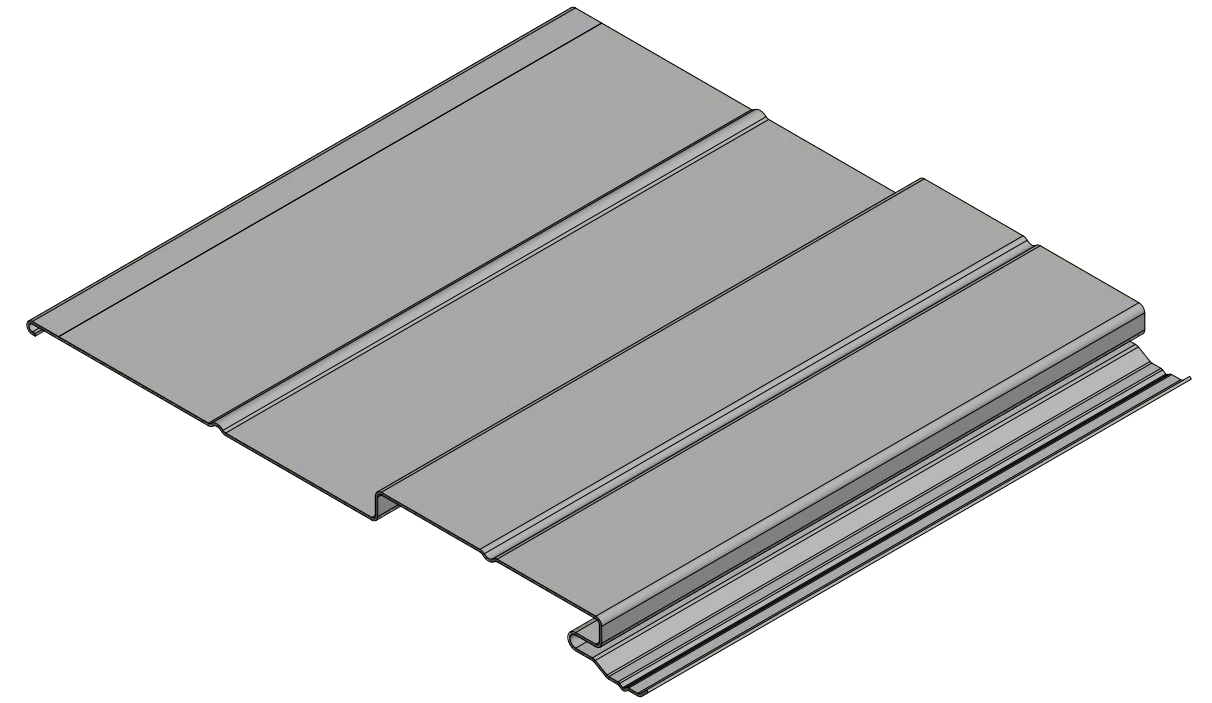


ATAS INTERNATIONAL, INC
 Allentown PA
 610-395-8445
 Mesa AZ
 480-558-7210

REV. NO.		DATE	DESCRIPTION OF REVISION	BY	APP	TITLE		DWH Panel Detail	
						DWG. NO.	DR	DMR	DATE
						MATERIAL	APP		DATE
						SH. SIZE	B	SCALE	X:X

TITLE
 DWH Panel Detail
 DR DATE 10/30/2017
 APP DATE
 SH. SIZE B SCALE X:X

DWH120 - 5

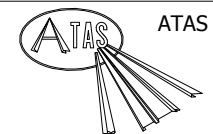
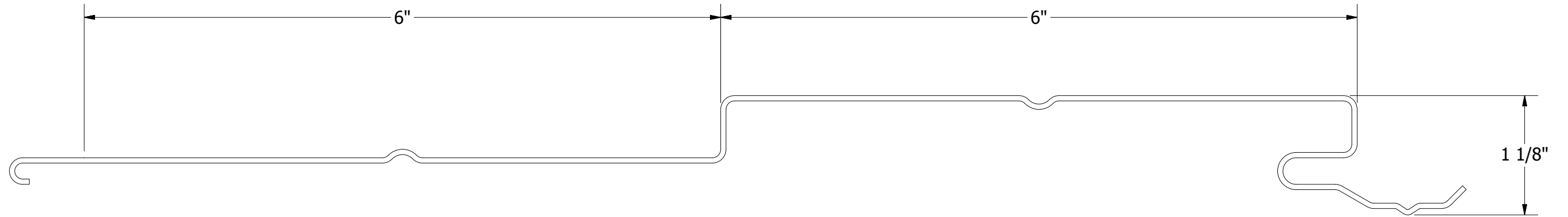
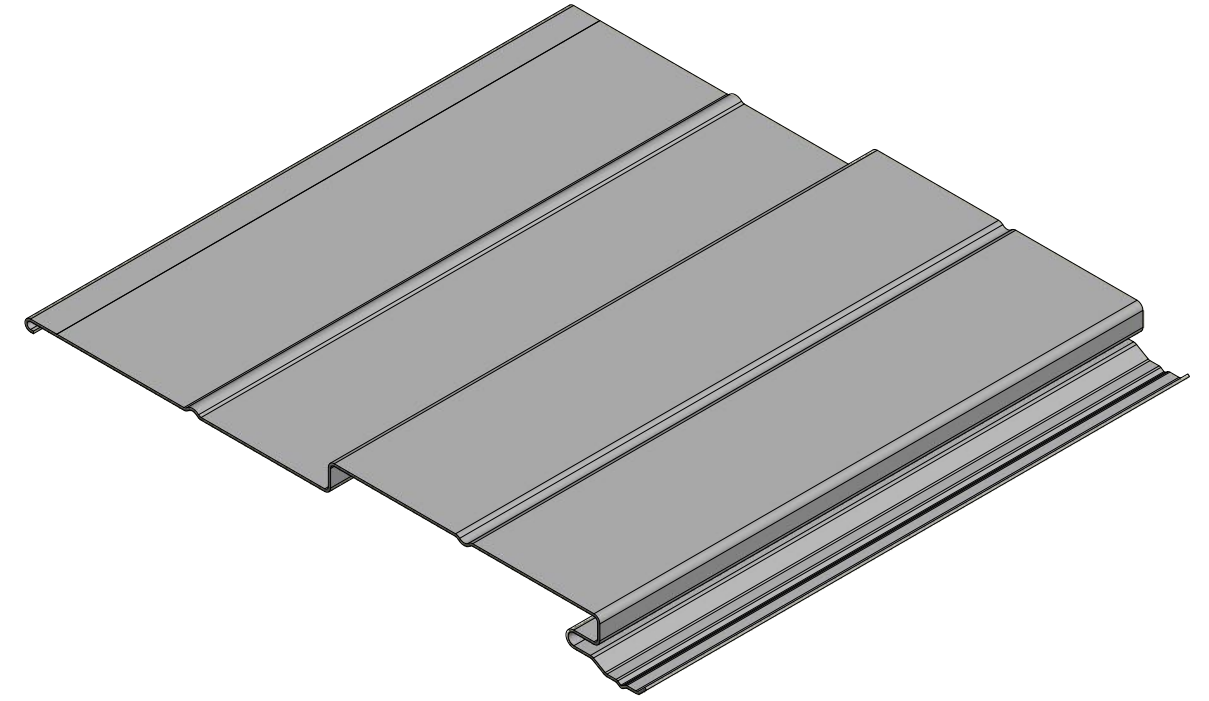


ATAS INTERNATIONAL, INC
 Allentown PA
 610-395-8445
 Mesa AZ
 480-558-7210

TITLE		DWH Panel Detail	
DWG. NO.	DR	DATE	10/30/2017
	DMR	DATE	
MATERIAL	APP	SH. SIZE	B
		SCALE	X:X

REV. NO.	DATE	DESCRIPTION OF REVISION	BY	APP

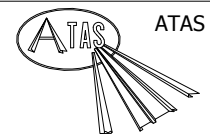
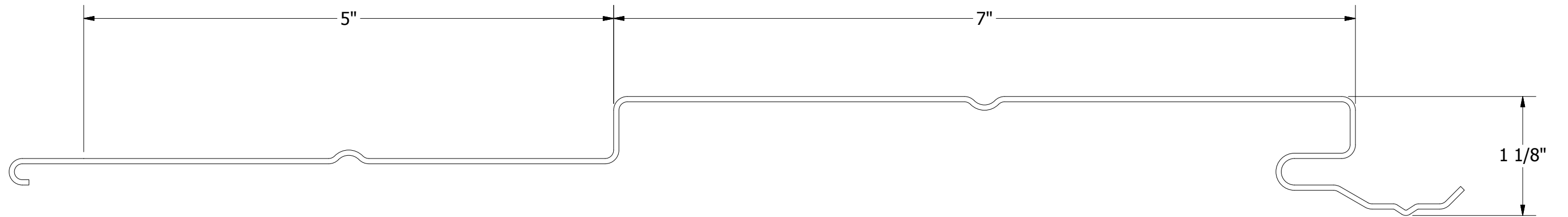
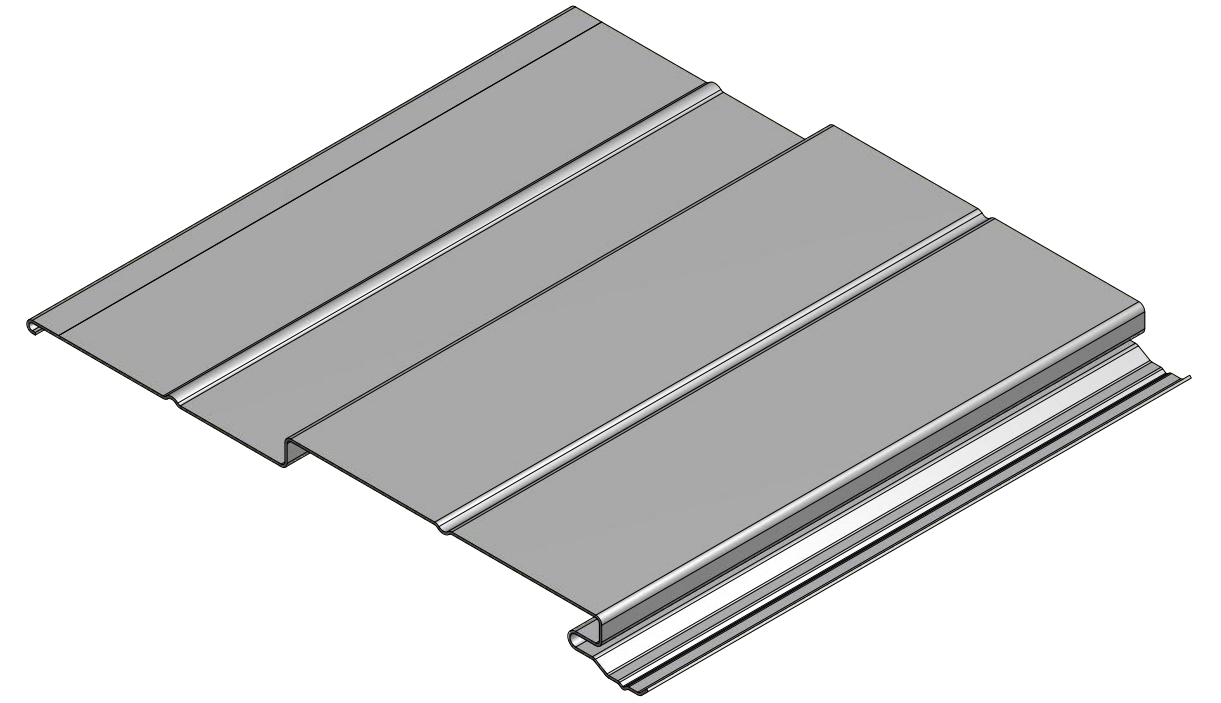
DWH120 - 6



ATAS INTERNATIONAL, INC
 Allentown PA
 610-395-8445
 Mesa AZ
 480-558-7210

REV. NO.		DATE	DESCRIPTION OF REVISION	BY	APP	TITLE		DWH Panel Detail	
DWG. NO.		DR	DMR	DATE	10/30/2017	MATERIAL		SH. SIZE	B
		APP		DATE		SCALE		X:X	

DWH120 - 7

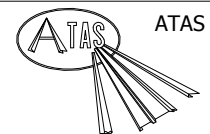
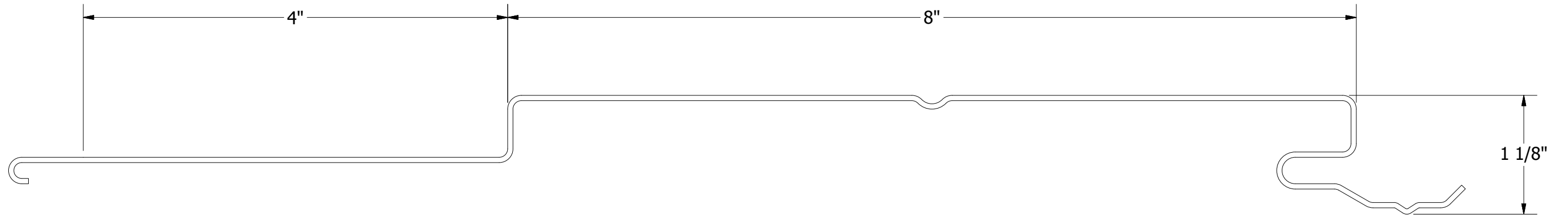
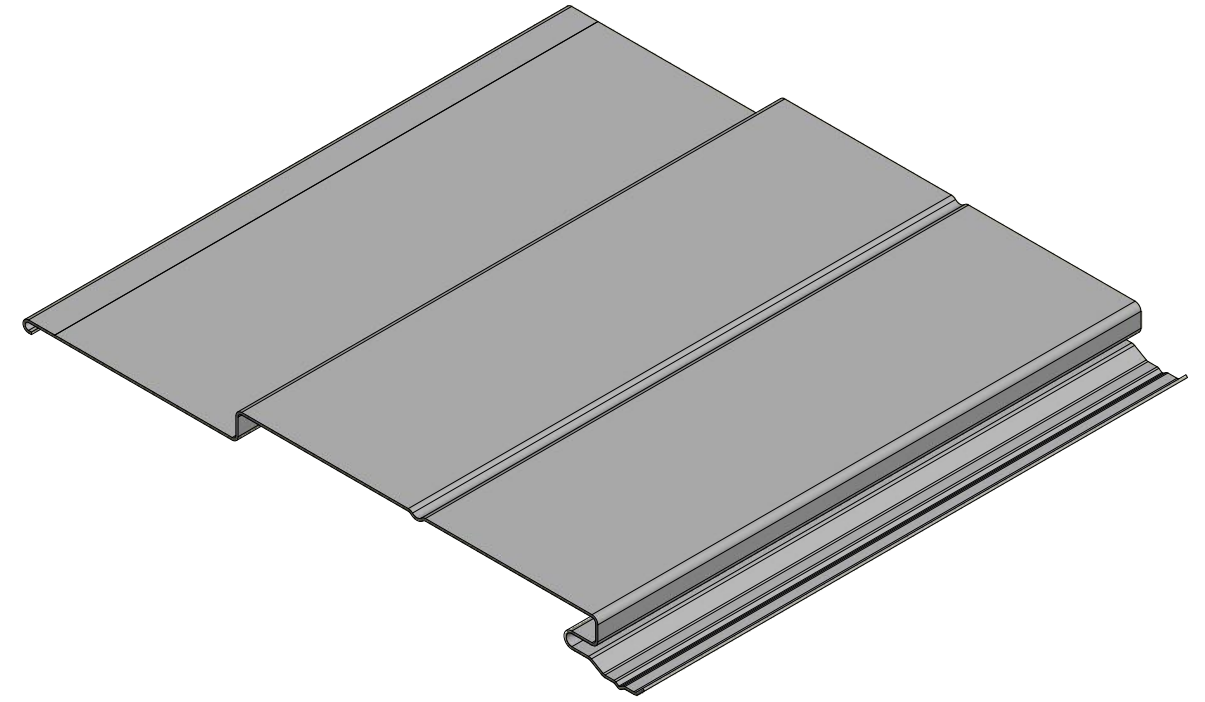


ATAS INTERNATIONAL, INC
 Allentown PA
 610-395-8445
 Mesa AZ
 480-558-7210

TITLE		DWH Panel Detail	
DWG. NO.	DR	DATE	10/30/2017
	DMR	DATE	
MATERIAL	APP	SH. SIZE	B
		SCALE	X:X

REV. NO.	DATE	DESCRIPTION OF REVISION	BY	APP

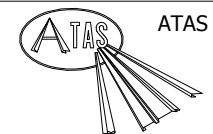
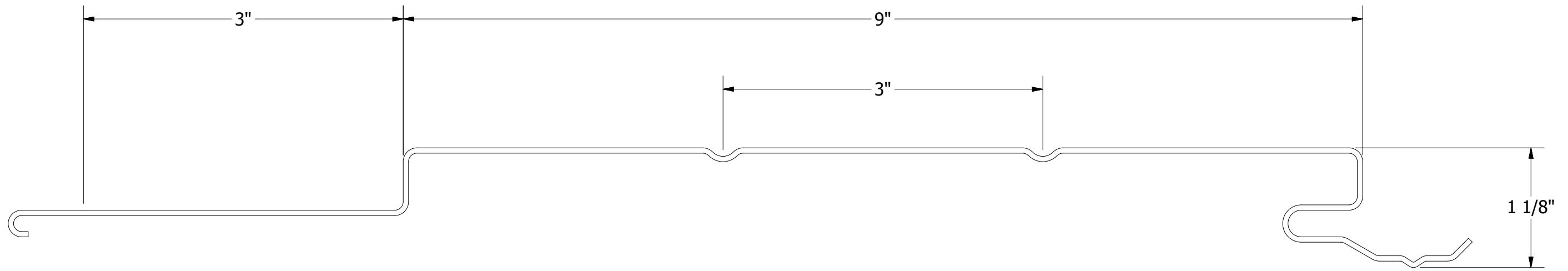
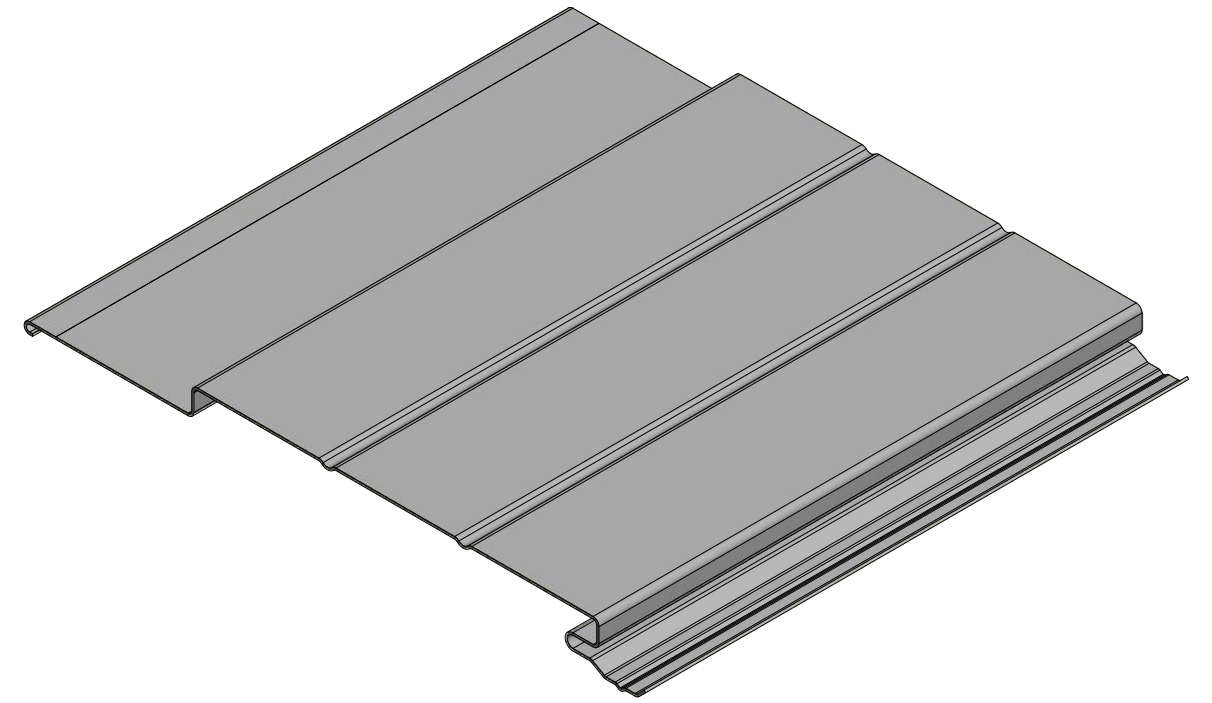
DWH120 - 8



ATAS INTERNATIONAL, INC
 Allentown PA
 610-395-8445
 Mesa AZ
 480-558-7210

REV. NO.		DATE	DESCRIPTION OF REVISION	BY	APP	TITLE		DWH Panel Detail	
DWG. NO.		DR	DMR	DATE	10/30/2017	MATERIAL		SH. SIZE	B
		APP		DATE		SCALE		X:X	

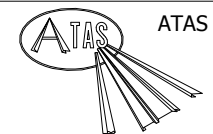
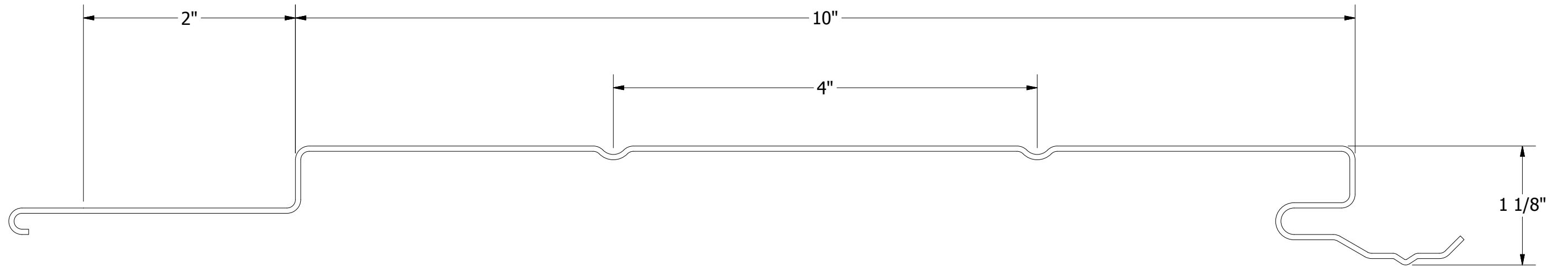
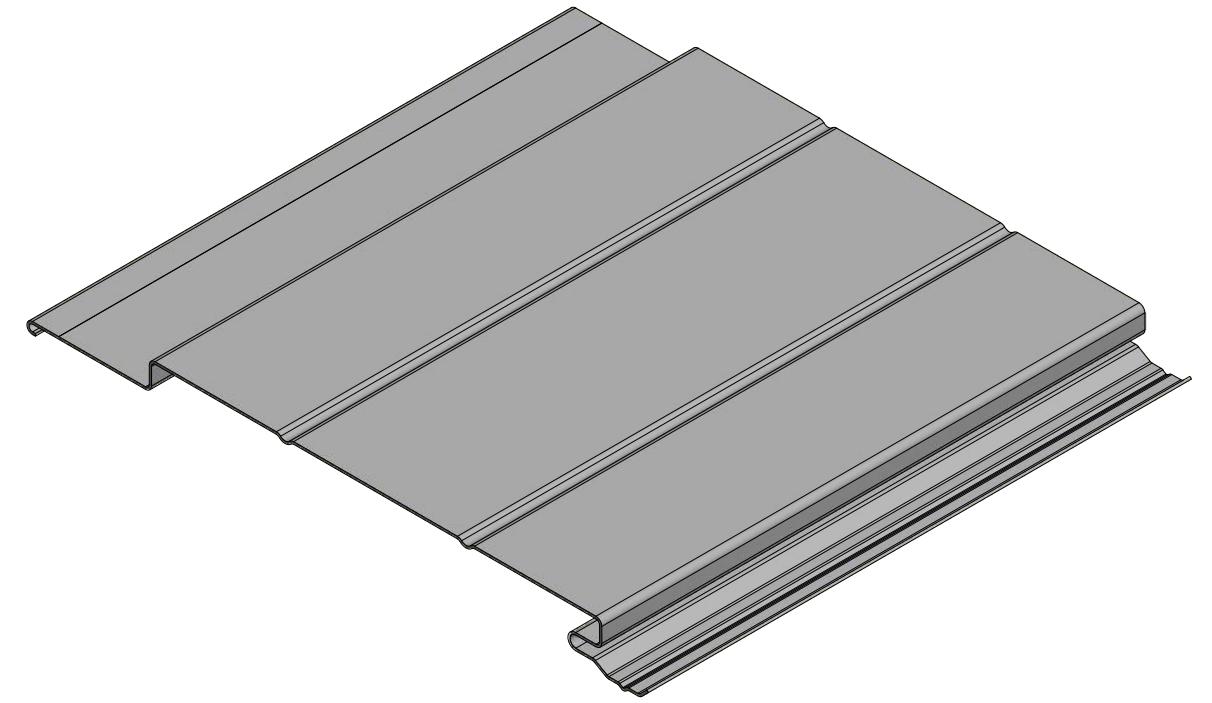
DWH120 - 9



ATAS INTERNATIONAL, INC
 Allentown PA
 610-395-8445
 Mesa AZ
 480-558-7210

REV. NO.		DATE	DESCRIPTION OF REVISION	BY	APP	TITLE		DWH Panel Detail	
DWG. NO.		DR	DMR	DATE	10/30/2017	MATERIAL		SH. SIZE	B
		APP		DATE		SCALE		X:X	

DWH120 - 10

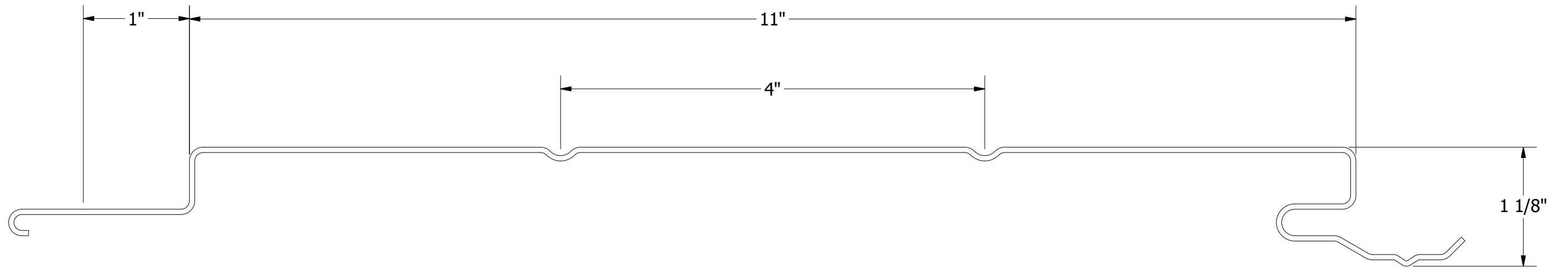
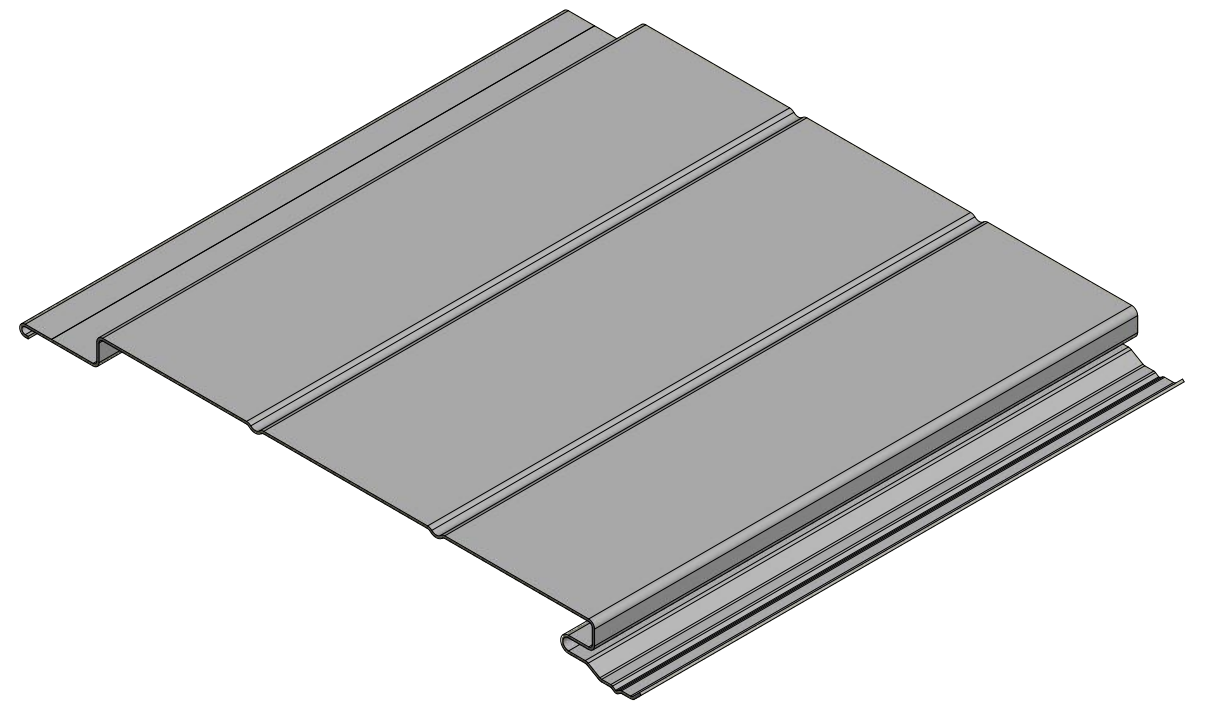


ATAS INTERNATIONAL, INC
 Allentown PA
 610-395-8445
 Mesa AZ
 480-558-7210

TITLE		DWH Panel Detail	
DWG. NO.	DR	DATE	10/30/2017
	DMR	DATE	
MATERIAL	APP	SH. SIZE	B
		SCALE	X:X

REV. NO.	DATE	DESCRIPTION OF REVISION	BY	APP

DWH120 - 11

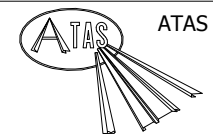
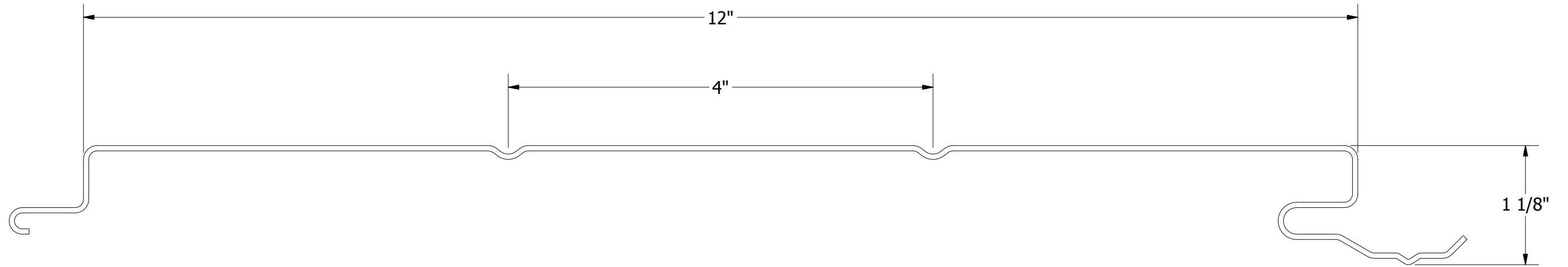
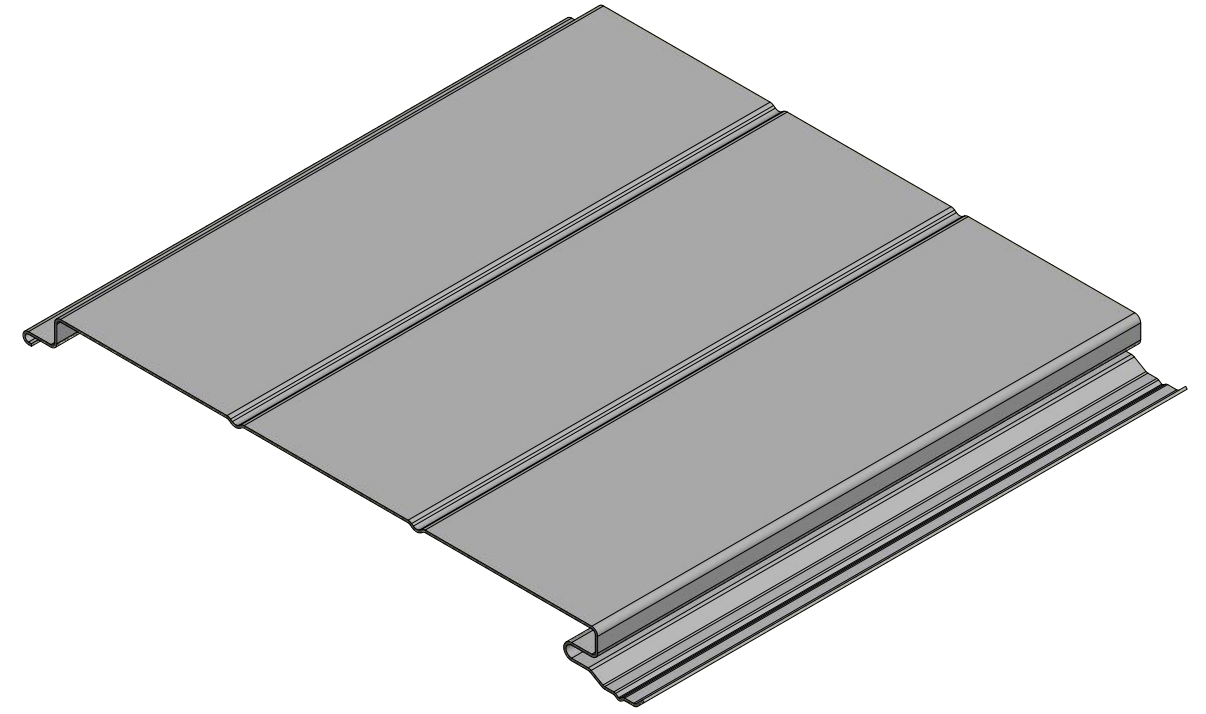


ATAS ATAS INTERNATIONAL, INC
 Allentown PA
 610-395-8445
 Mesa AZ
 480-558-7210

TITLE		DWH Panel Detail	
DWG. NO.	DR	DATE	10/30/2017
	DMR	DATE	
MATERIAL	APP	SH. SIZE	B
		SCALE	X:X

REV. NO.	DATE	DESCRIPTION OF REVISION	BY	APP

DWF120



ATAS INTERNATIONAL, INC
 Allentown PA
 610-395-8445
 Mesa AZ
 480-558-7210

REV. NO.		DATE	DESCRIPTION OF REVISION	BY	APP	TITLE	
						DWH Panel Detail	
DWG. NO.						DR	DATE
						DMR	10/30/2017
MATERIAL						APP	DATE
						SH. SIZE	B
						SCALE	X:X