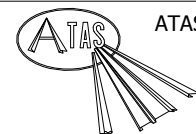
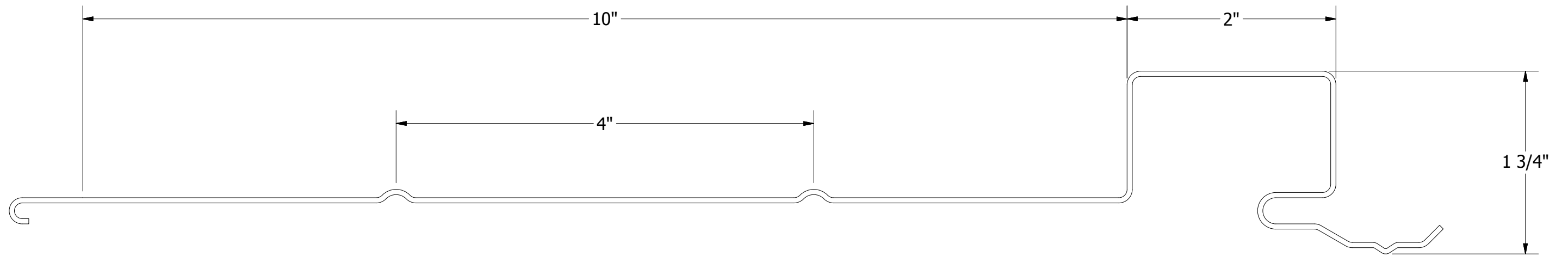
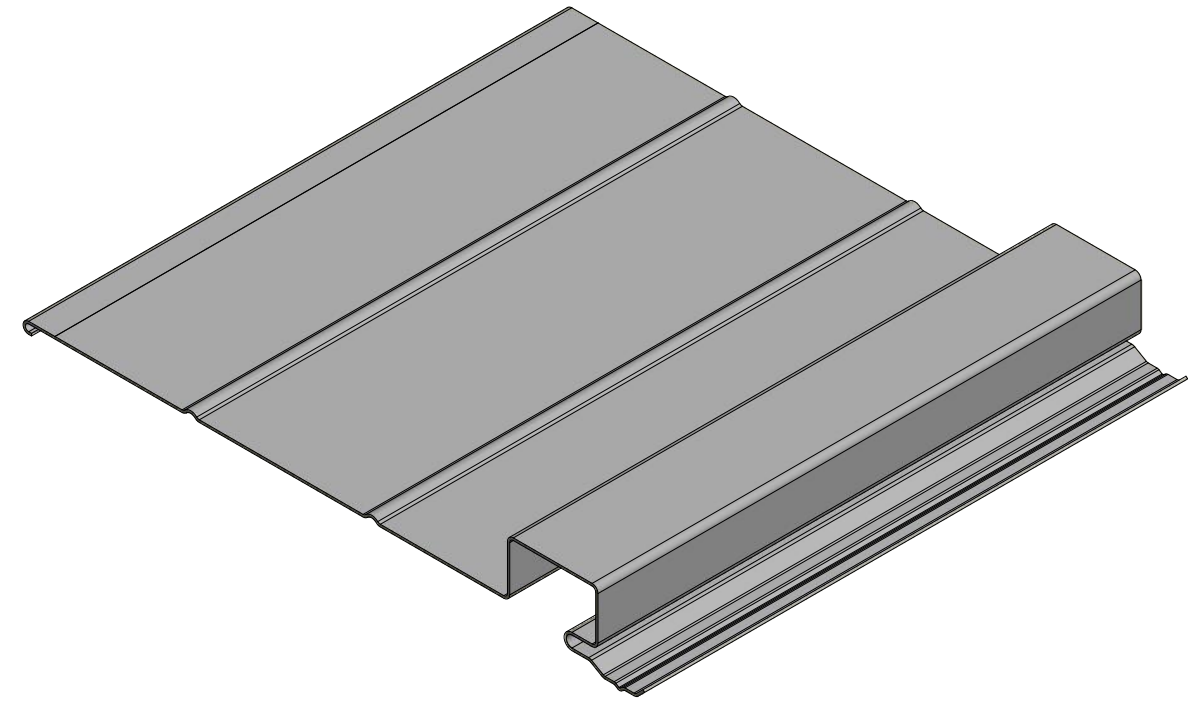


DSH120 - 2

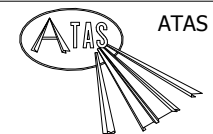
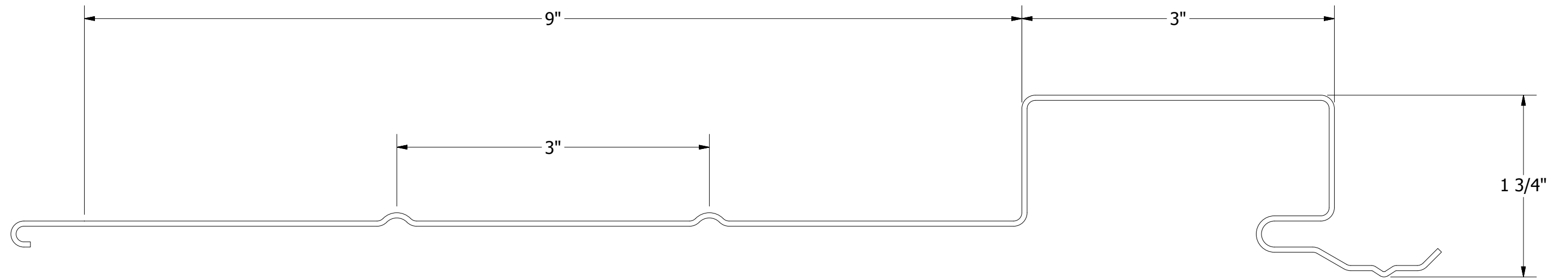
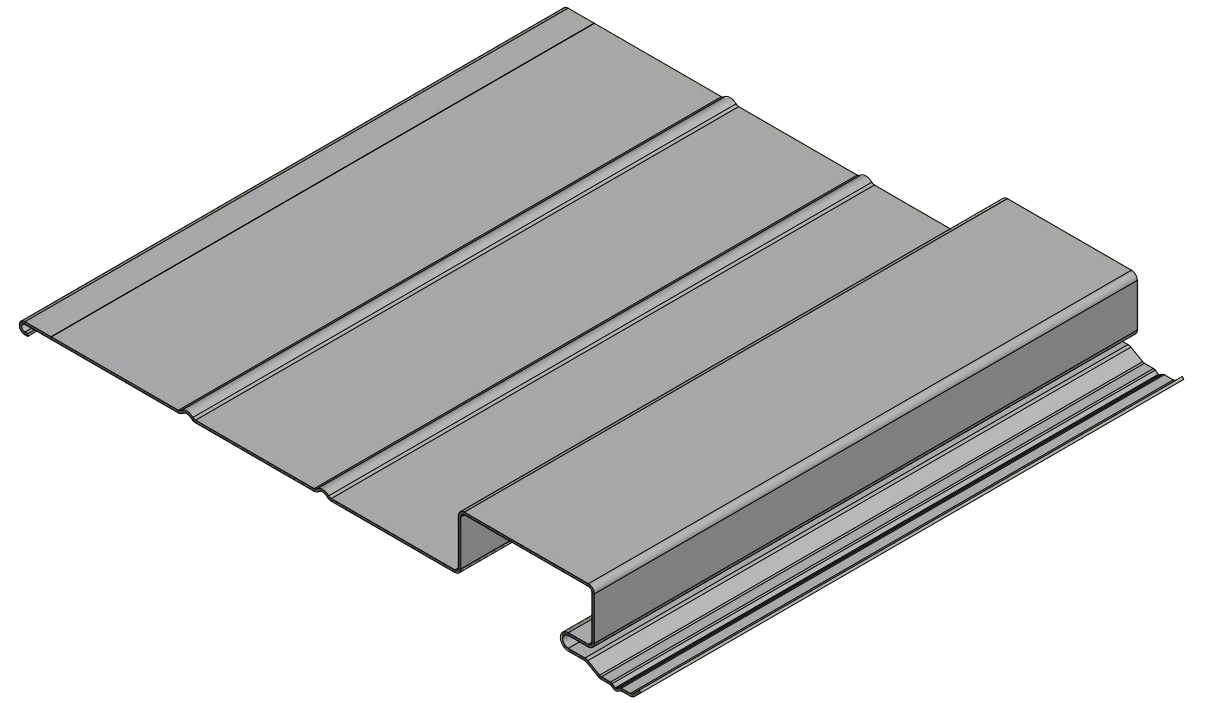


ATAS INTERNATIONAL, INC
 Allentown PA
 610-395-8445
 Mesa AZ
 480-558-7210

TITLE		DSH Panel Detail	
DWG. NO.	DR	DATE	10/30/2017
	DMR	DATE	
MATERIAL	APP	DATE	
SH. SIZE	B	SCALE	X:X

REV. NO.	DATE	DESCRIPTION OF REVISION	BY	APP

DSH120 - 3

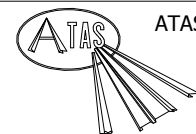
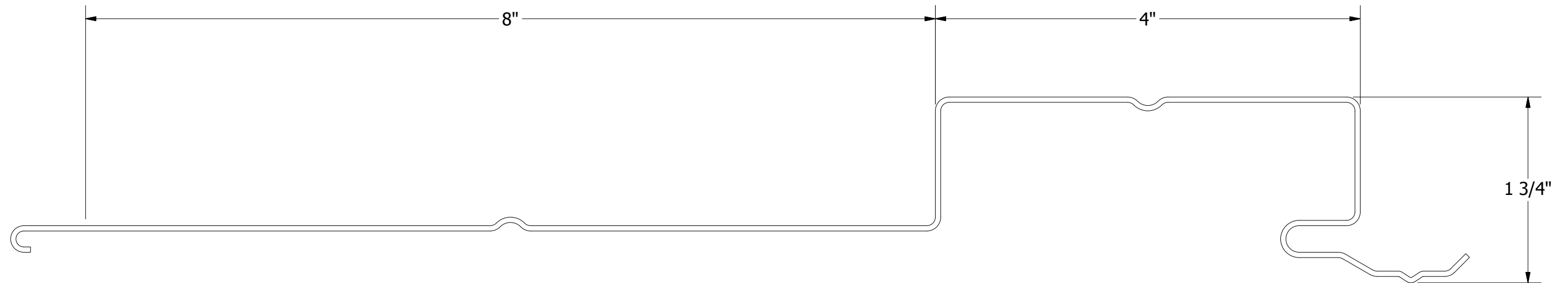
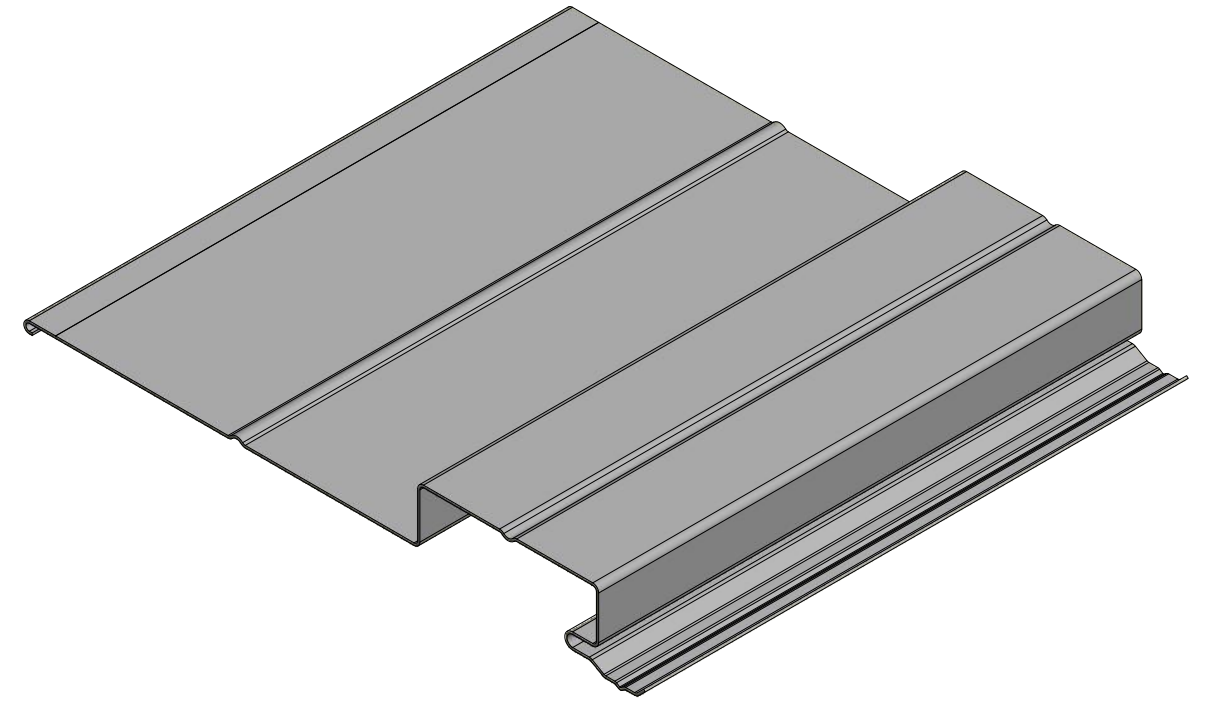


ATAS INTERNATIONAL, INC
 Allentown PA
 610-395-8445
 Mesa AZ
 480-558-7210

TITLE		DSH Panel Detail	
DWG. NO.	DR	DATE	
	DMR	10/30/2017	
MATERIAL	APP	DATE	
	SH. SIZE	B	SCALE X:X

REV. NO.	DATE	DESCRIPTION OF REVISION	BY	APP

DSH120 - 4

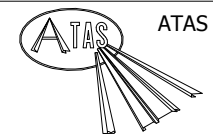
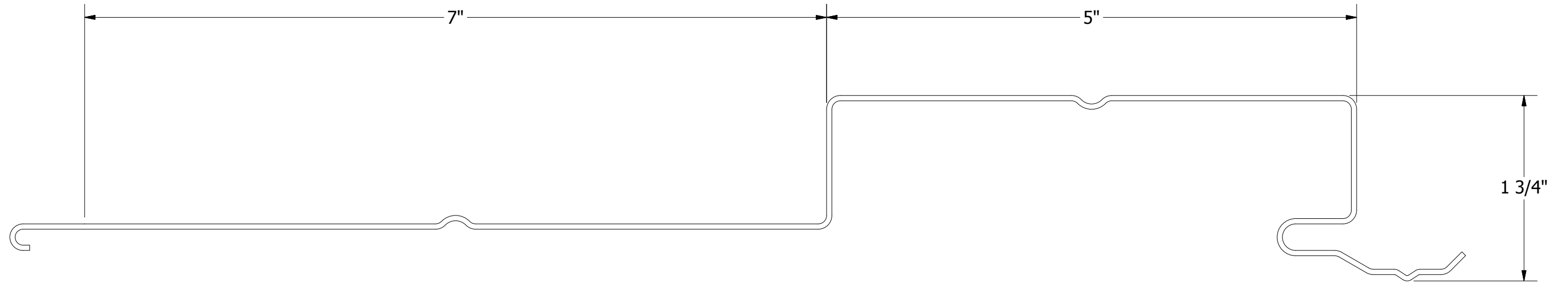
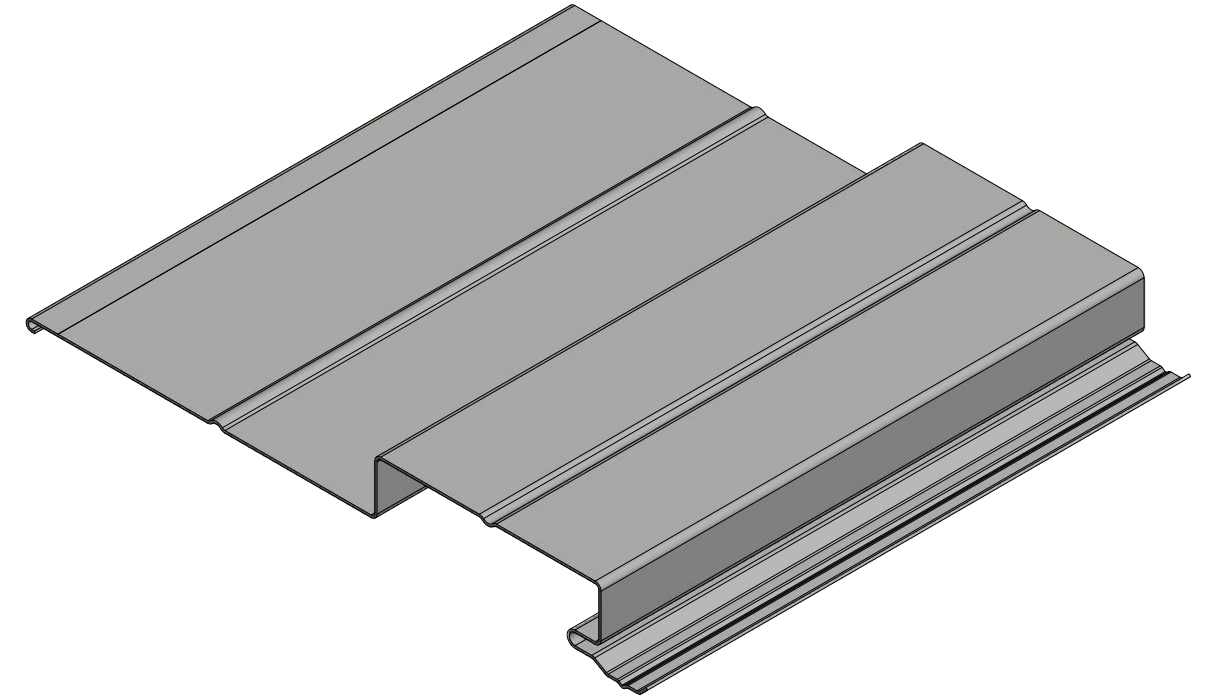


ATAS INTERNATIONAL, INC
 Allentown PA
 610-395-8445
 Mesa AZ
 480-558-7210

TITLE		DSH Panel Detail	
DWG. NO.	DR	DATE	DATE
	DMR	10/30/2017	
MATERIAL	APP	DATE	
	SH. SIZE	B	SCALE X:X

REV. NO.	DATE	DESCRIPTION OF REVISION	BY	APP

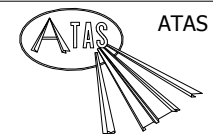
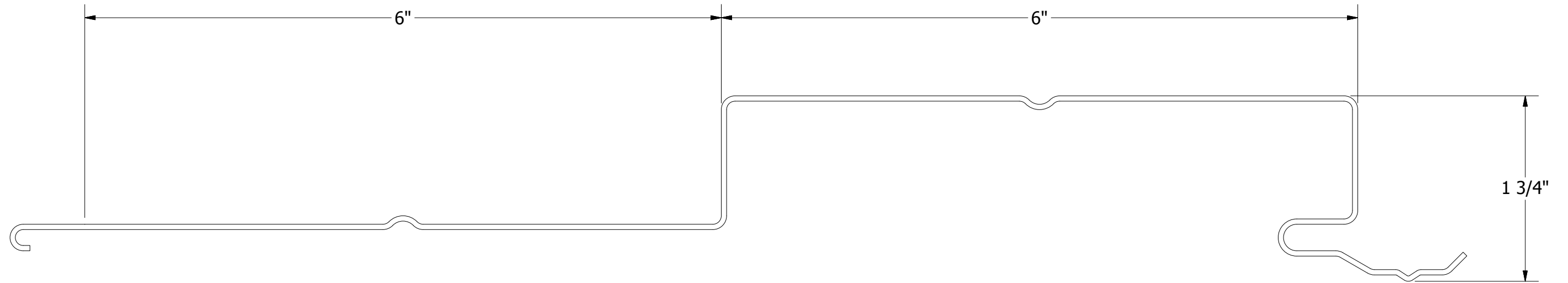
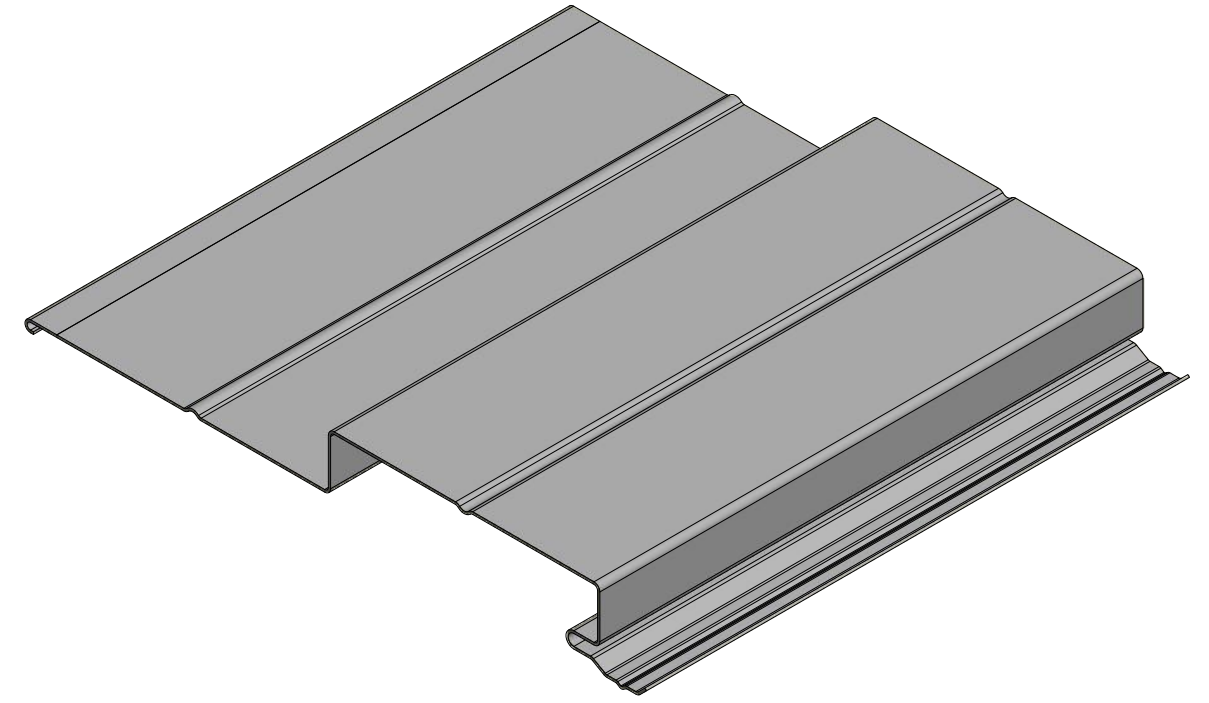
DSH120 - 5



ATAS INTERNATIONAL, INC
 Allentown PA
 610-395-8445
 Mesa AZ
 480-558-7210

REV. NO.		DATE	DESCRIPTION OF REVISION	BY	APP	TITLE		DWG. NO.		DR	DATE
						DSH Panel Detail				DMR	10/30/2017
						MATERIAL		APP			DATE
								SH. SIZE	B	SCALE	X:X

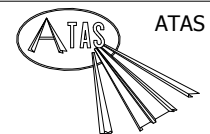
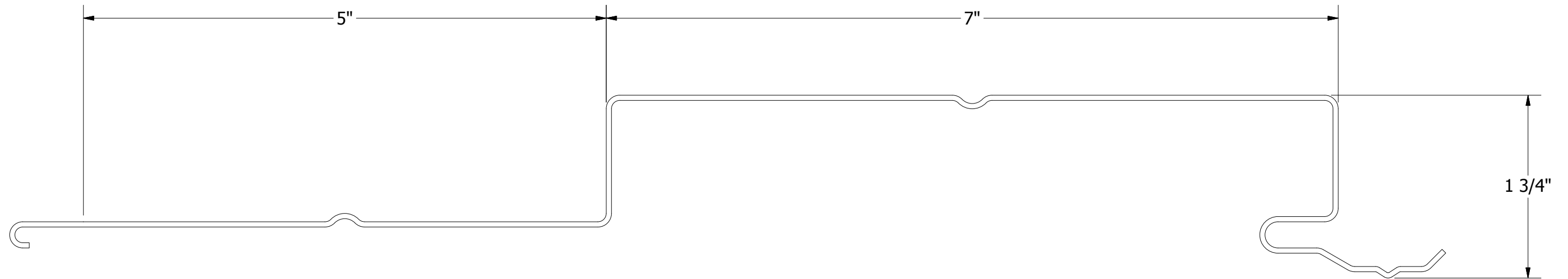
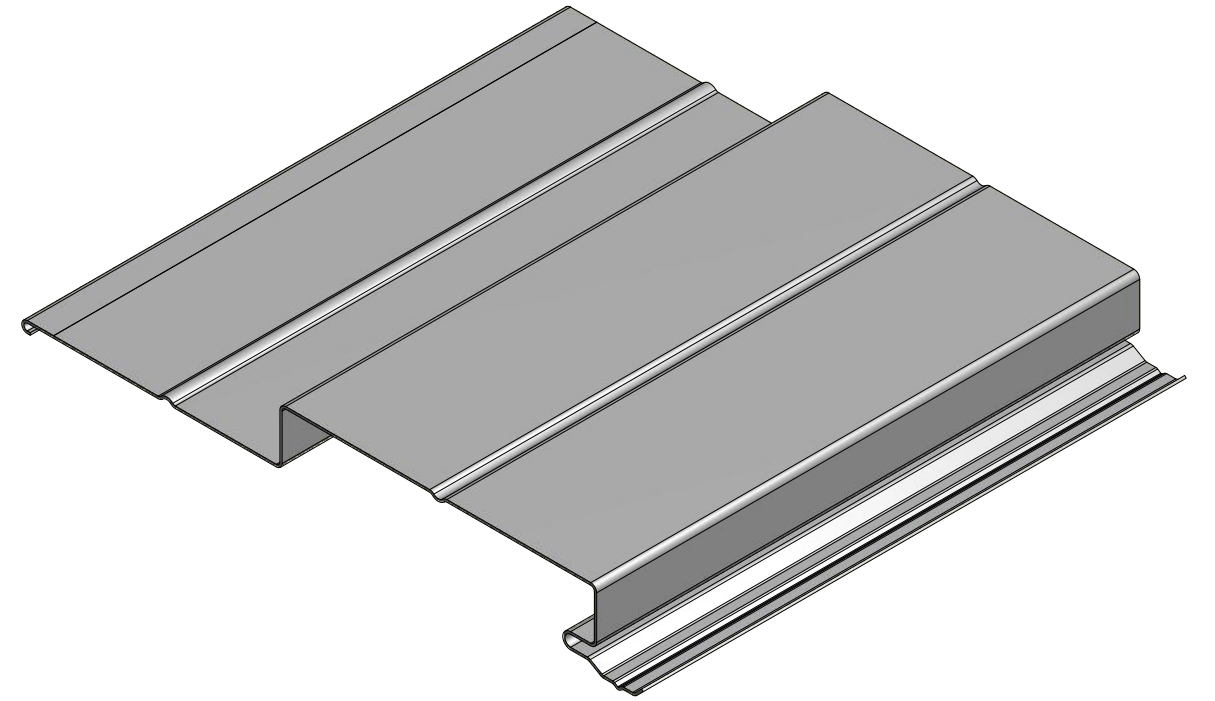
DSH120 - 6



ATAS INTERNATIONAL, INC
 Allentown PA
 610-395-8445
 Mesa AZ
 480-558-7210

REV. NO.		DATE	DESCRIPTION OF REVISION	BY	APP	TITLE		DWG. NO.		DR	DATE
						DSH Panel Detail				DMR	10/30/2017
								MATERIAL		APP	DATE
								SH. SIZE		B	SCALE
											X:X

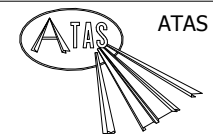
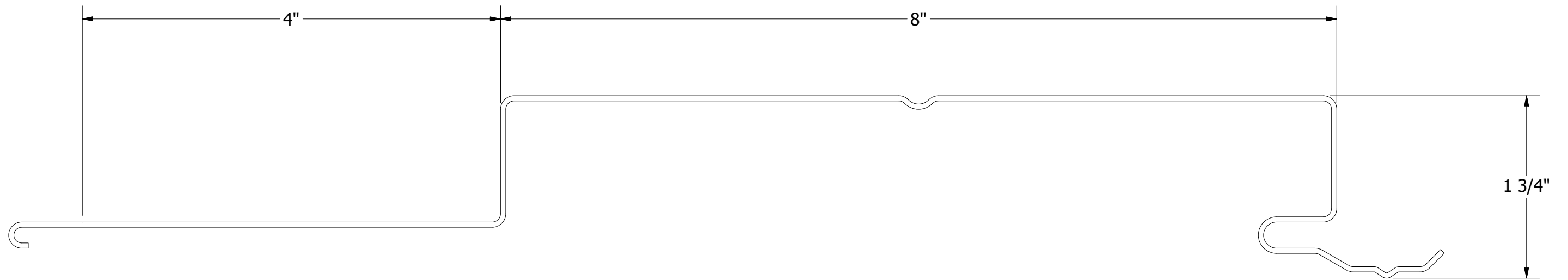
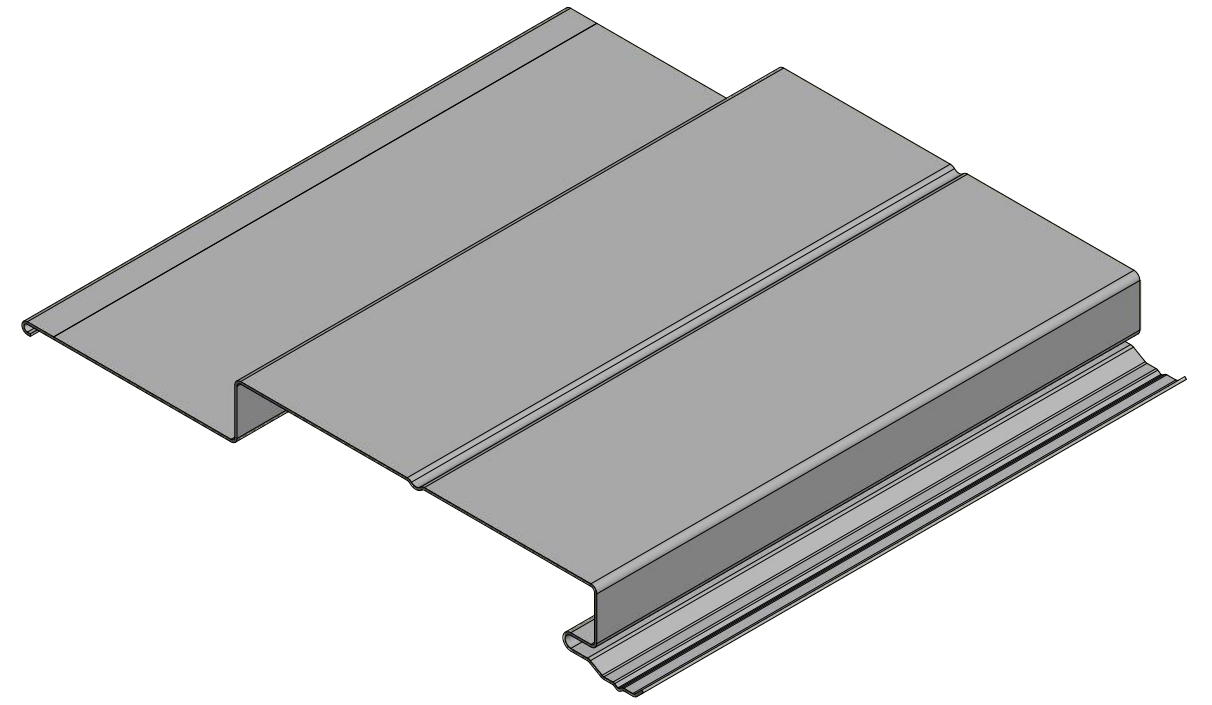
DSH120 - 7



ATAS INTERNATIONAL, INC
 Allentown PA
 610-395-8445
 Mesa AZ
 480-558-7210

REV. NO.		DATE	DESCRIPTION OF REVISION	BY	APP	TITLE		DSH Panel Detail	
DWG. NO.		DR			DMR	DATE	10/30/2017		
MATERIAL		APP			DATE				
SH. SIZE		B			SCALE	X:X			

DSH120 - 8

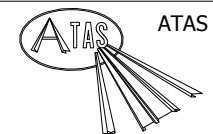
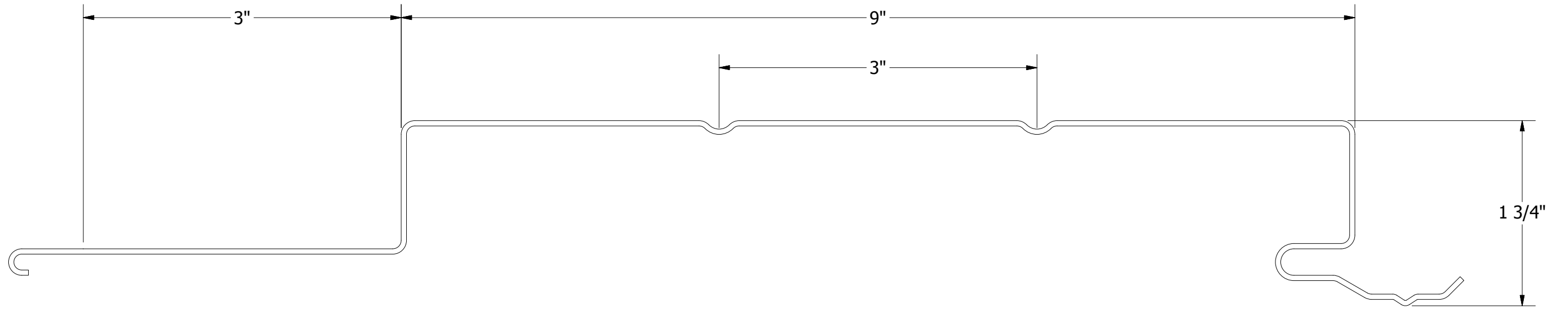
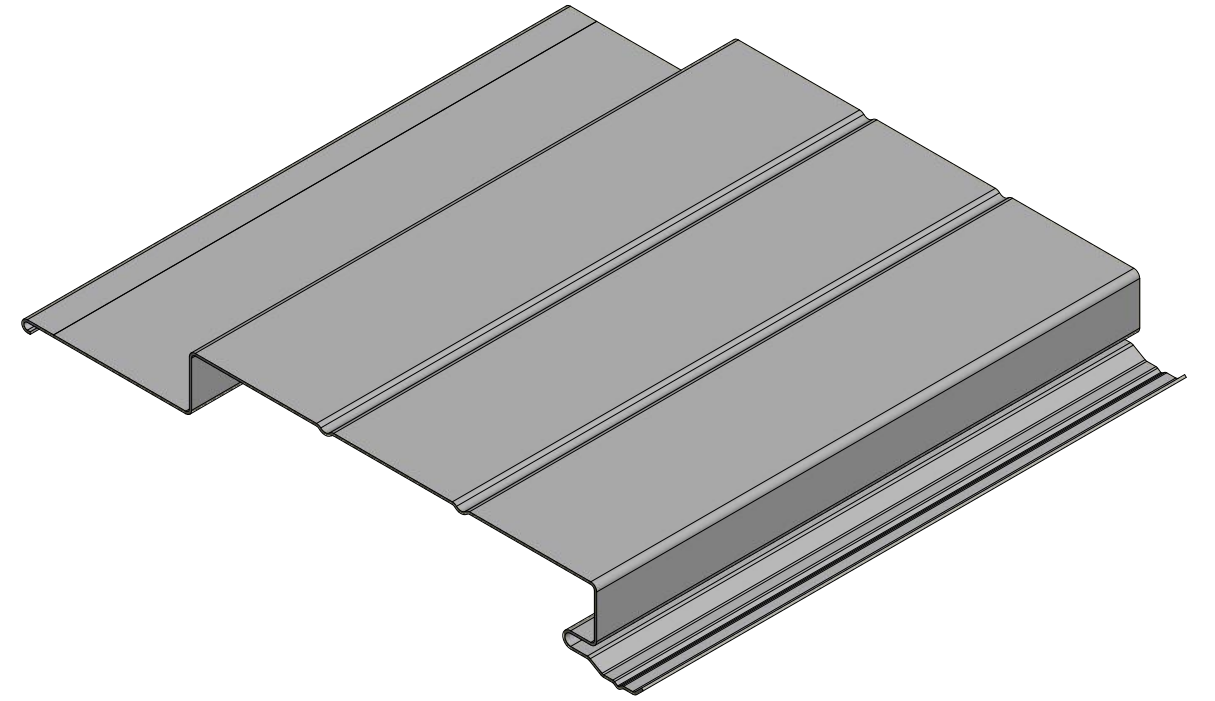


ATAS INTERNATIONAL, INC
 Allentown PA
 610-395-8445
 Mesa AZ
 480-558-7210

TITLE		DSH Panel Detail	
DWG. NO.	DR	DATE	10/30/2017
	DMR	DATE	
MATERIAL	APP	SH. SIZE	B
		SCALE	X:X

REV. NO.	DATE	DESCRIPTION OF REVISION	BY	APP

DSH120 - 9

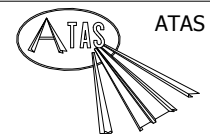
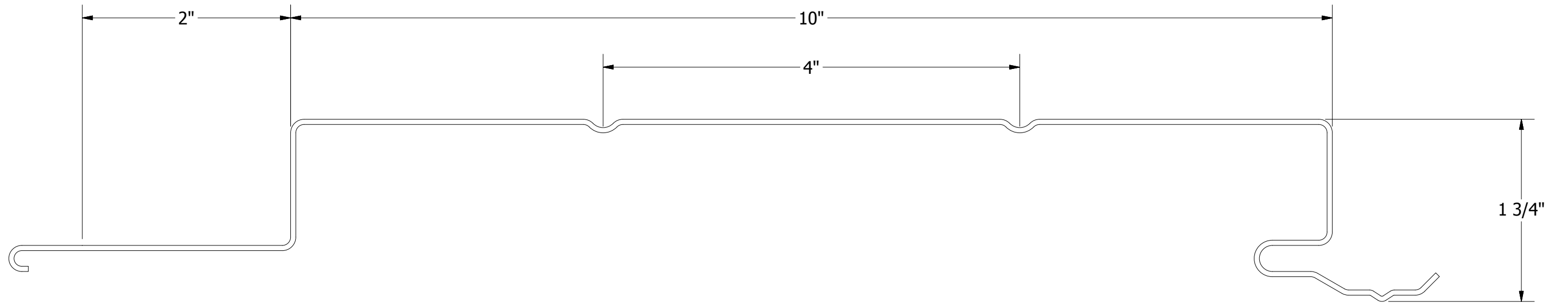
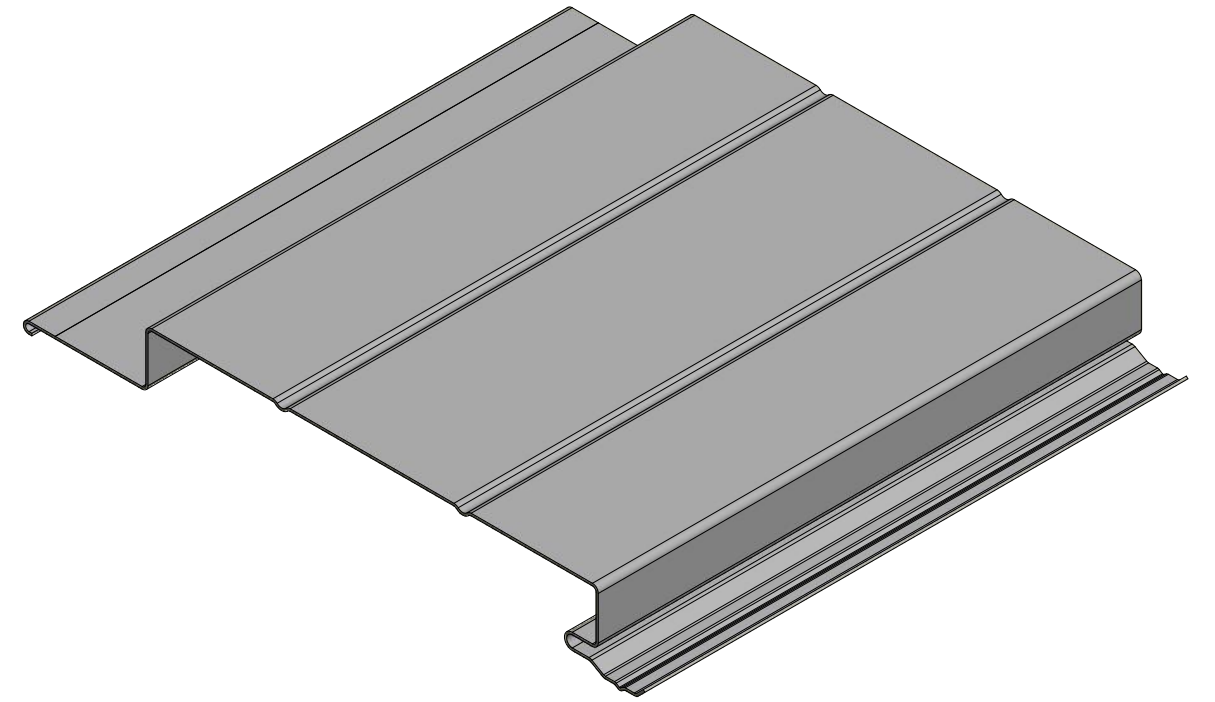


ATAS INTERNATIONAL, INC
 Allentown PA
 610-395-8445
 Mesa AZ
 480-558-7210

REV. NO.		DATE	DESCRIPTION OF REVISION	BY	APP	TITLE		DSH Panel Detail	
						DWG. NO.	DR	DMR	DATE
						MATERIAL	APP		DATE
						SH. SIZE	B	SCALE	X:X

DATE 10/30/2017

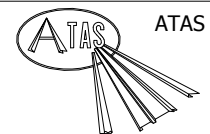
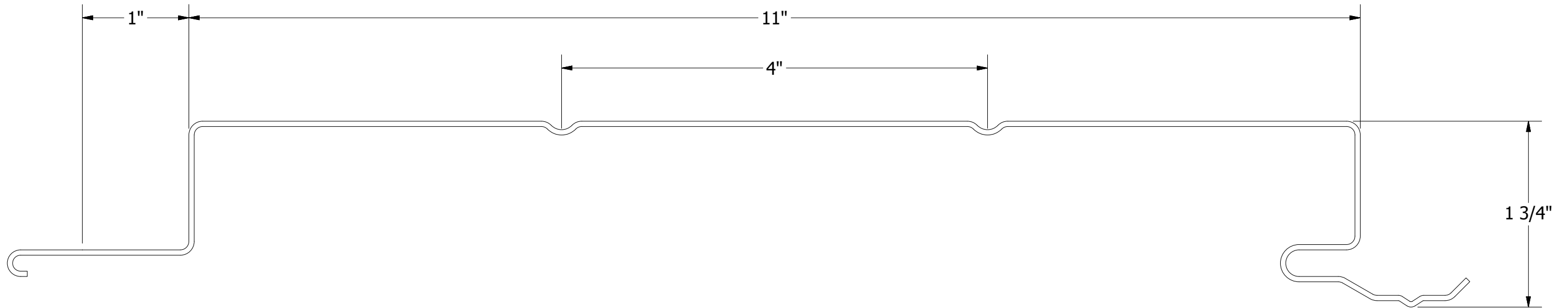
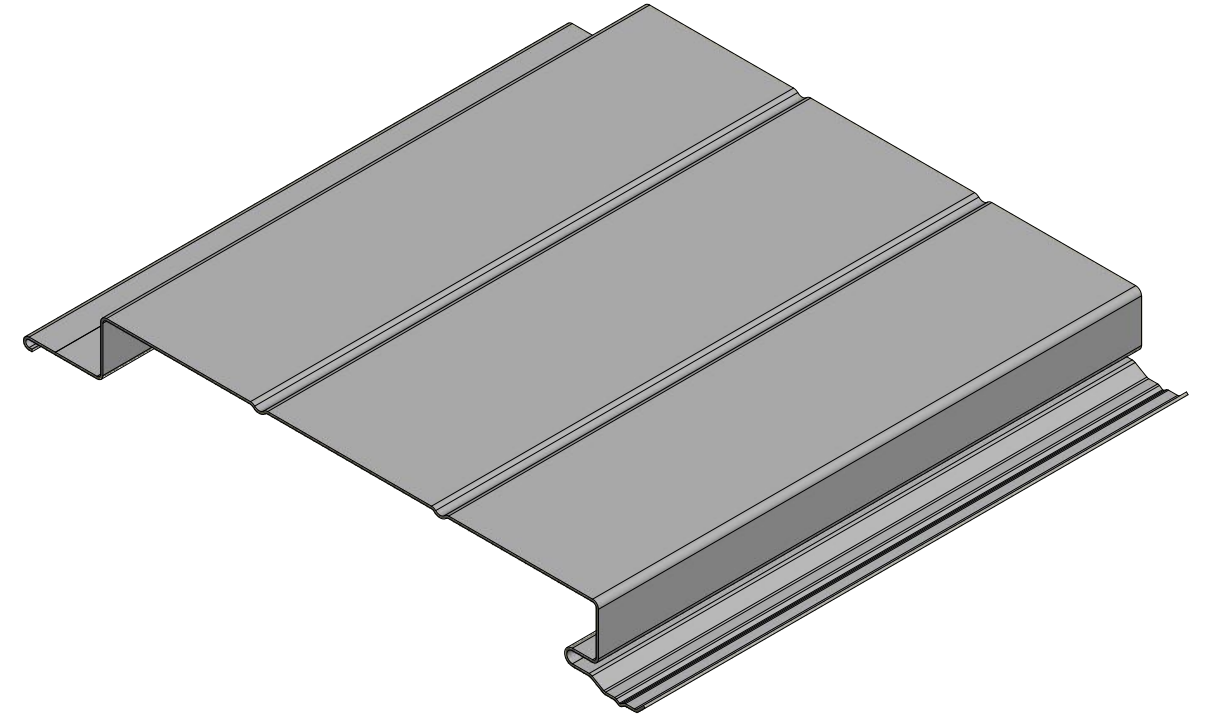
DSH120 - 10



ATAS INTERNATIONAL, INC
 Allentown PA
 610-395-8445
 Mesa AZ
 480-558-7210

REV. NO.		DATE	DESCRIPTION OF REVISION	BY	APP	TITLE		DSH Panel Detail	
DWG. NO.		DR			DMR	DATE	10/30/2017		
MATERIAL		APP			DATE				
SH. SIZE		B			SCALE	X:X			

DSH120 - 11

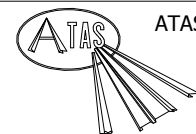
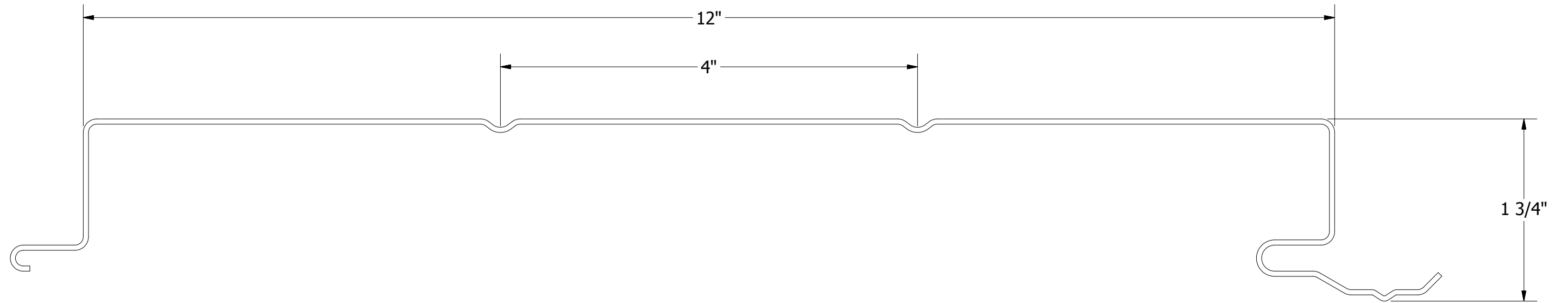
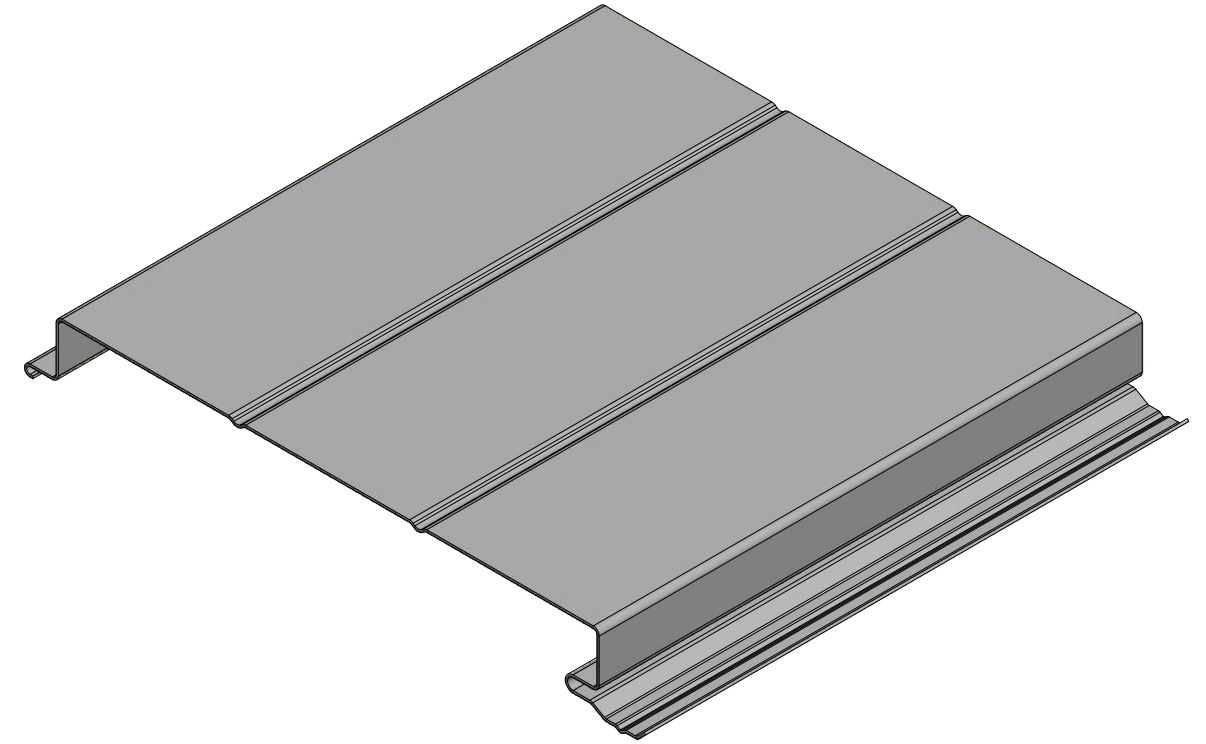


ATAS INTERNATIONAL, INC
 Allentown PA
 610-395-8445
 Mesa AZ
 480-558-7210

TITLE		DSH Panel Detail	
DWG. NO.	DR	DATE	10/30/2017
	DMR	APP	DATE
MATERIAL	SH. SIZE	B	SCALE X:X

REV. NO.	DATE	DESCRIPTION OF REVISION	BY	APP

DSF120



ATAS INTERNATIONAL, INC
 Allentown PA
 610-395-8445
 Mesa AZ
 480-558-7210

REV. NO.		DATE	DESCRIPTION OF REVISION	BY	APP	TITLE		DSH Panel Detail	
DWG. NO.		DR	DMR	DATE	10/30/2017	MATERIAL		SH. SIZE	B
		APP		DATE		SCALE		X:X	