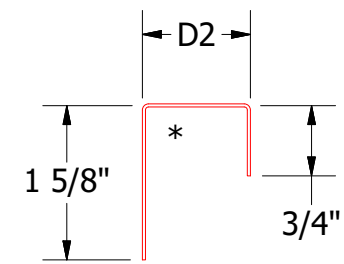
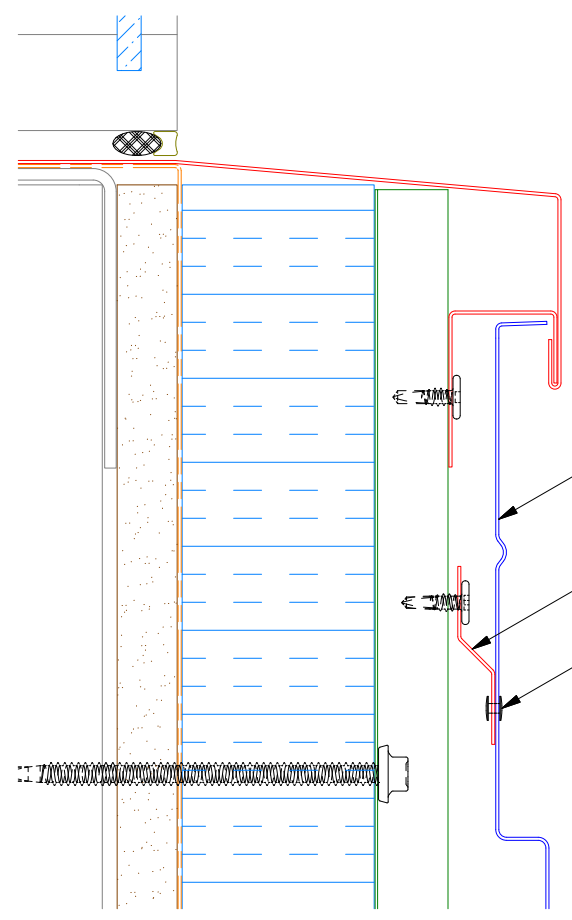
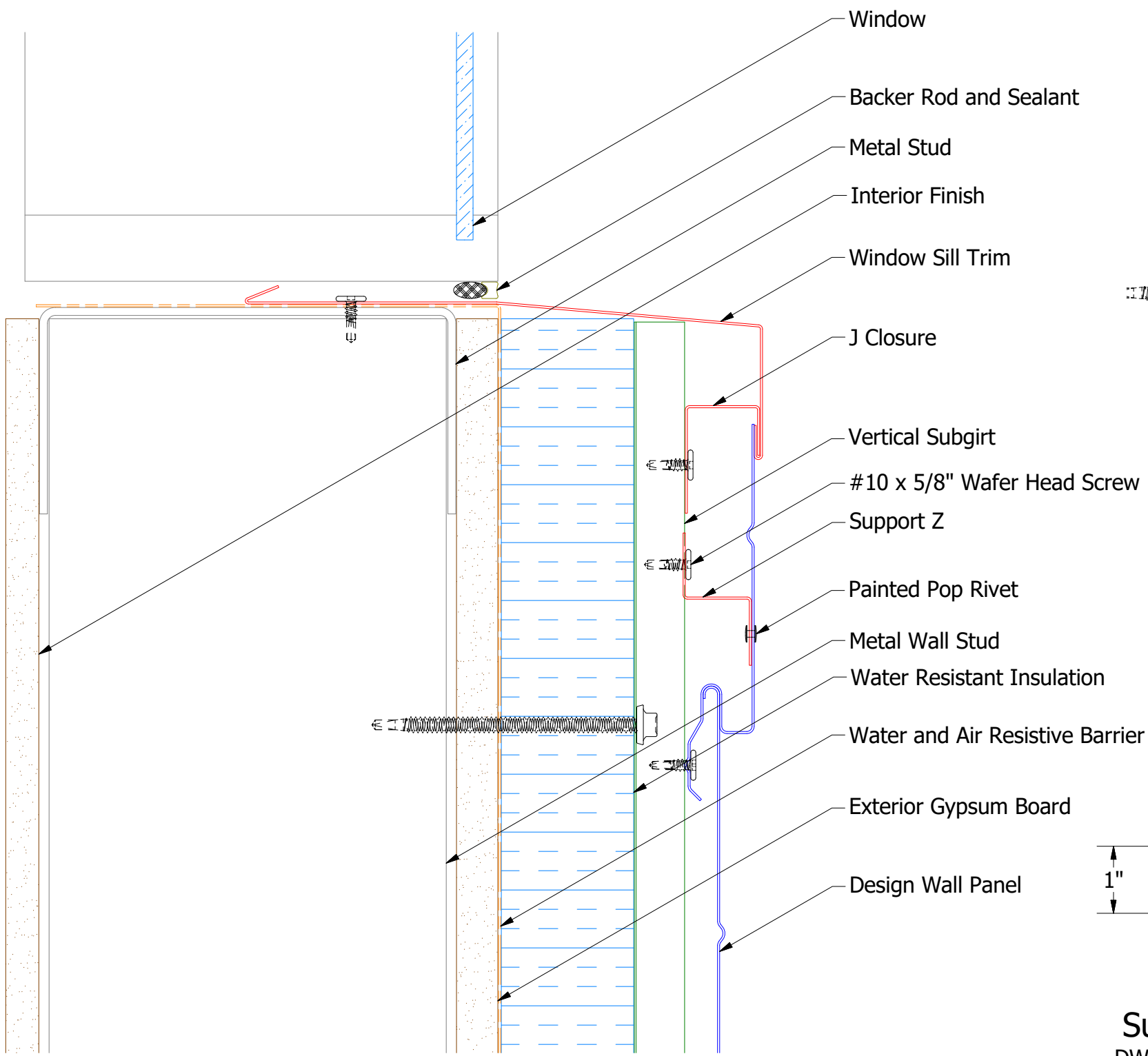
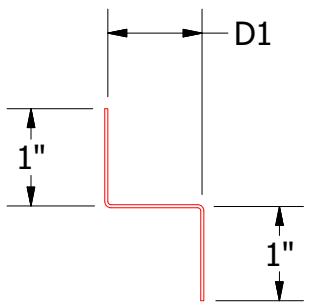


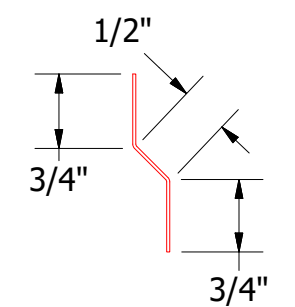
Horizontal Panel



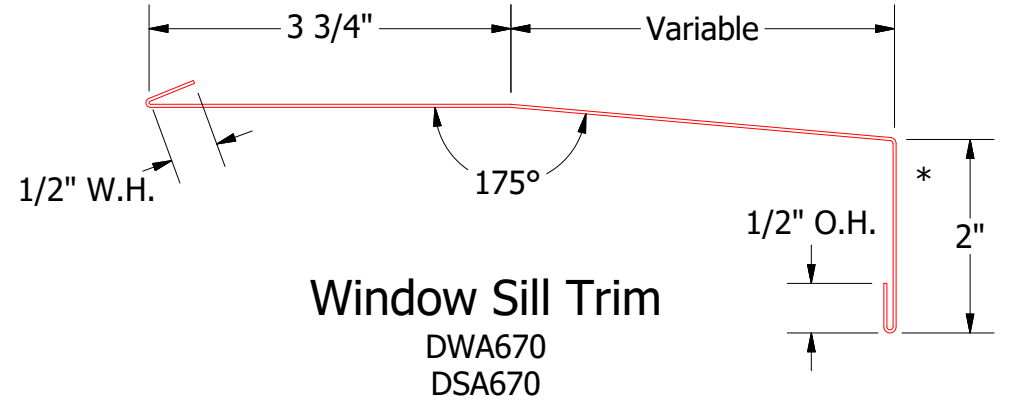
J Closure
 DWA270: D2= 1 1/8"
 DSA270: D2= 1 7/8"



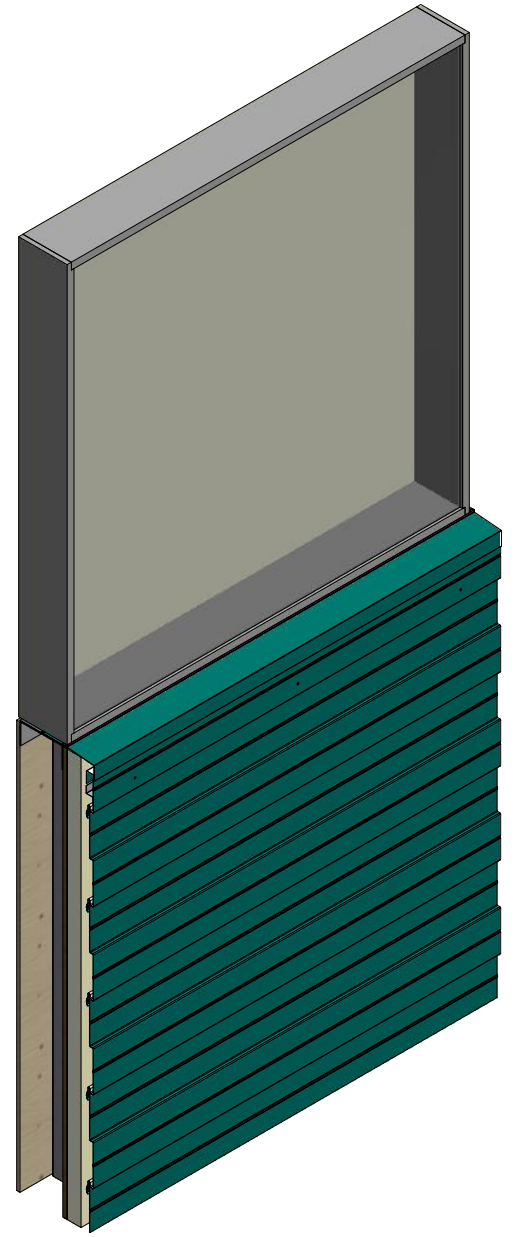
Support Z
 DWA681: D1= 1"
 DSA681: D1= 1 5/8"



Joggle Cleat
 DWA975/DSA975



Window Sill Trim
 DWA670
 DSA670



ATAS ATAS INTERNATIONAL, INC
 Allentown PA
 610-395-8445
 Mesa AZ
 480-558-7210

TITLE				Design Wall Window Sill Detail			
DWG. NO.		DR		DATE		7/26/2016	
		DMR					
MATERIAL		APP		DATE			
		DAS					
REV. NO.		SH. SIZE		SCALE		X:X	
		B					