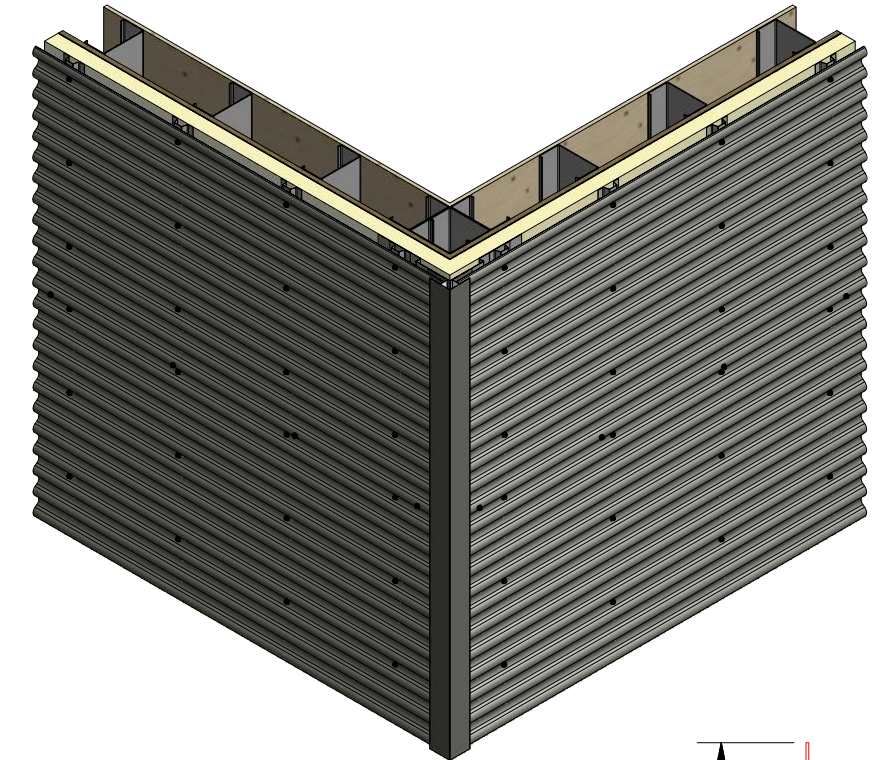
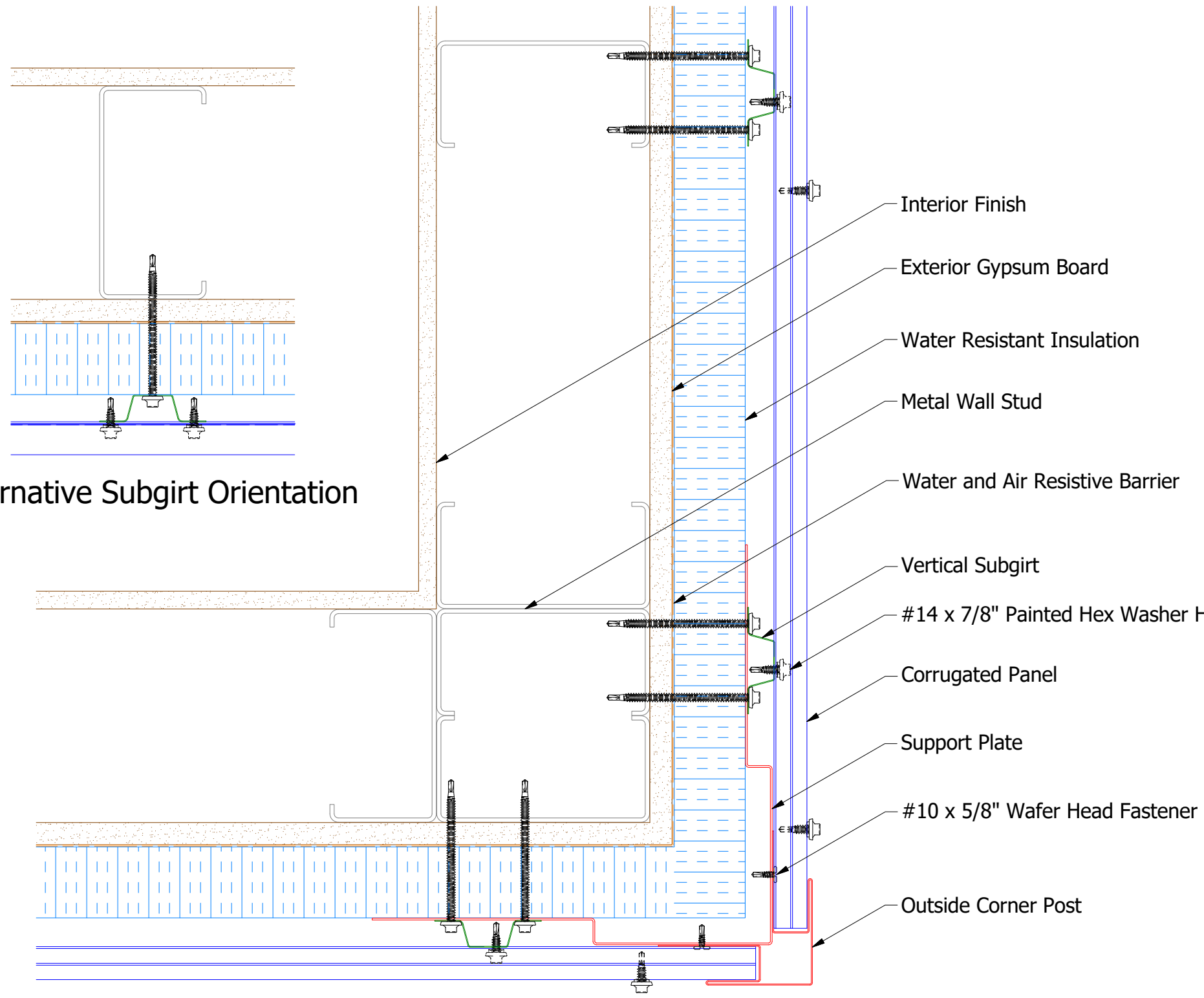


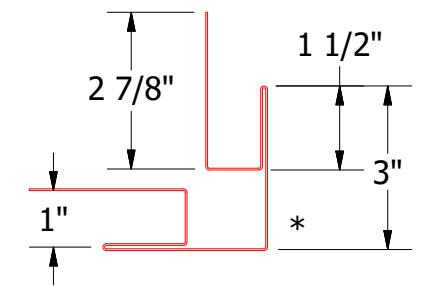
Horizontal Panel



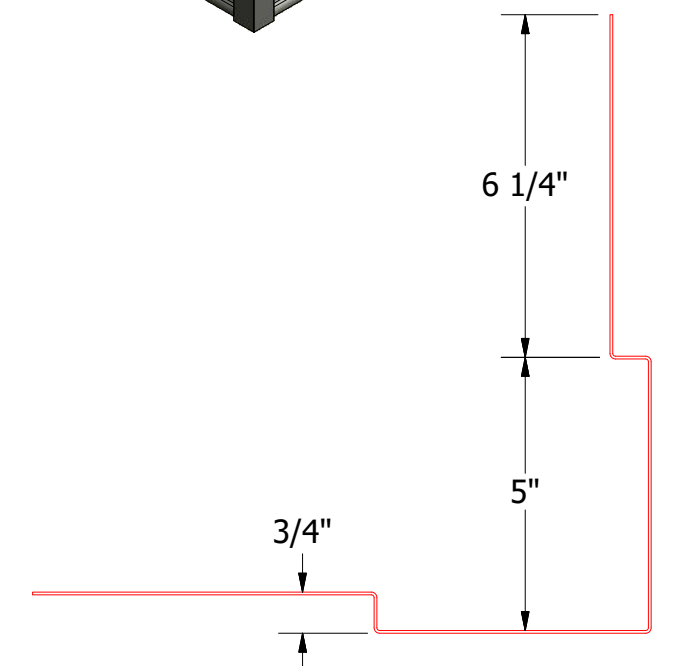
Alternative Subgirt Orientation



- Interior Finish
- Exterior Gypsum Board
- Water Resistant Insulation
- Metal Wall Stud
- Water and Air Resistive Barrier
- Vertical Subgirt
- #14 x 7/8" Painted Hex Washer Head Fastener with Washer
- Corrugated Panel
- Support Plate
- #10 x 5/8" Wafer Head Fastener
- Outside Corner Post



BCA602-Outside Corner Post



Support Plate

2 Stage Method of Weather Proofing

ATAS
 ATAS INTERNATIONAL, INC
 Allentown PA
 610-395-8445
 Mesa AZ
 480-558-7210

Corrugated Panel Outside Corner Detail

REV. NO.	DATE	DESCRIPTION OF REVISION	BY	APP	DWG. NO.	DR	DATE
						KRK	8/15/2014
					MATERIAL	APP	DATE
					SH. SIZE	B	SCALE
							X:X

Note: Optional 18 GA. Plate for Outside Corner Post is available.