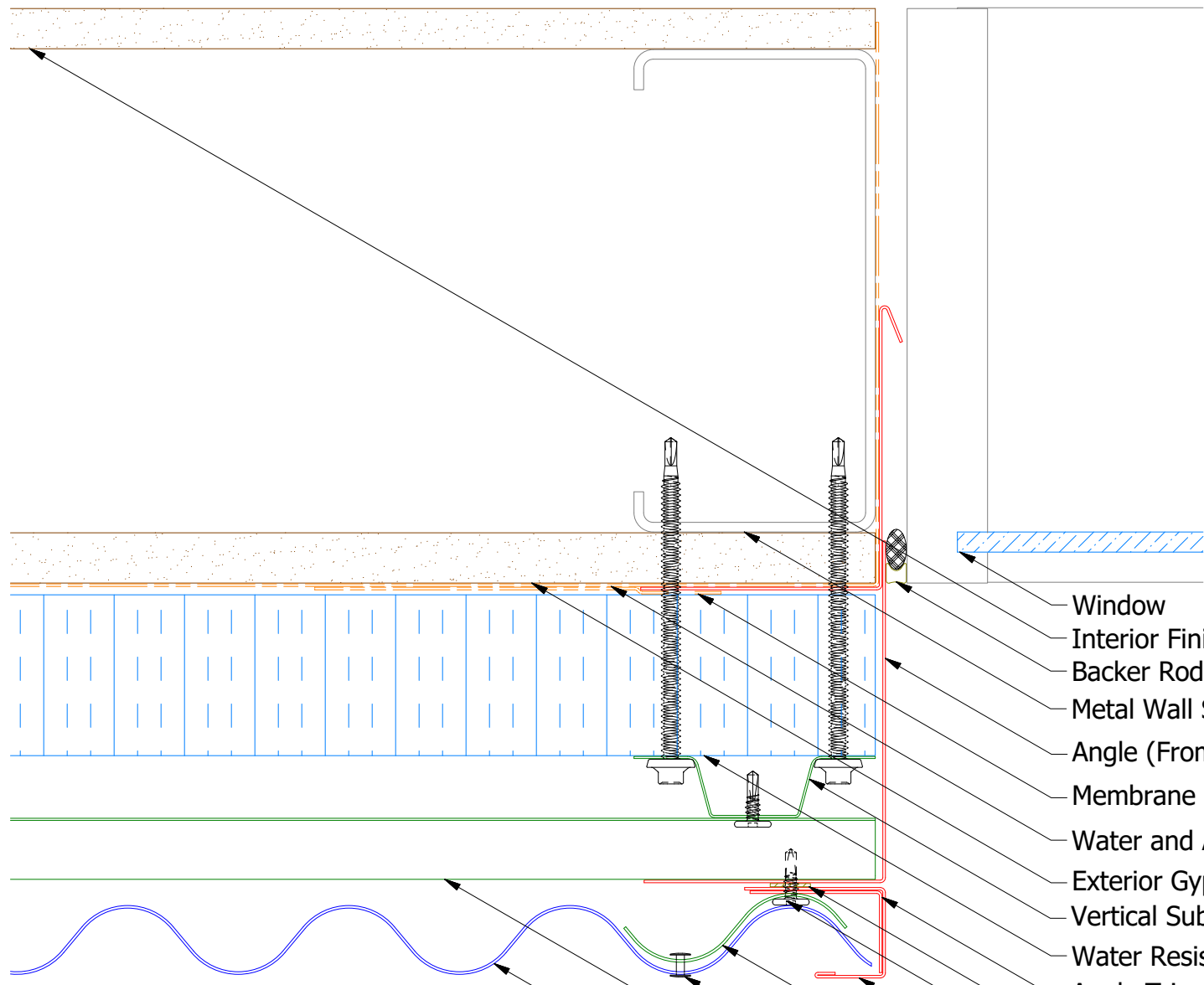
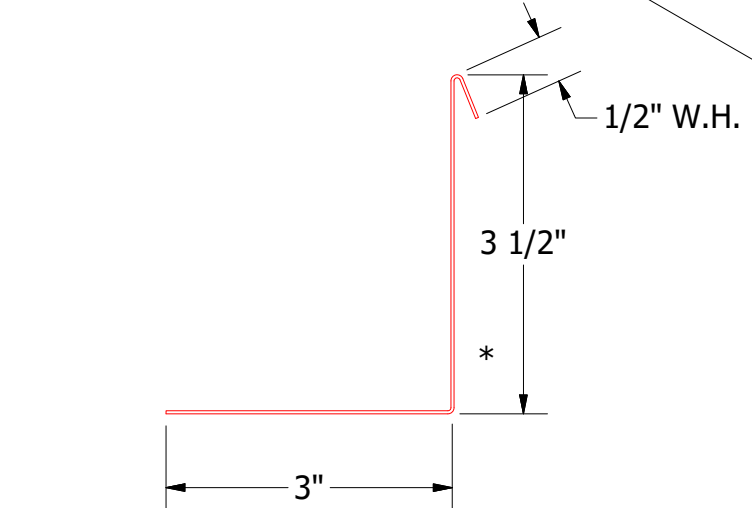
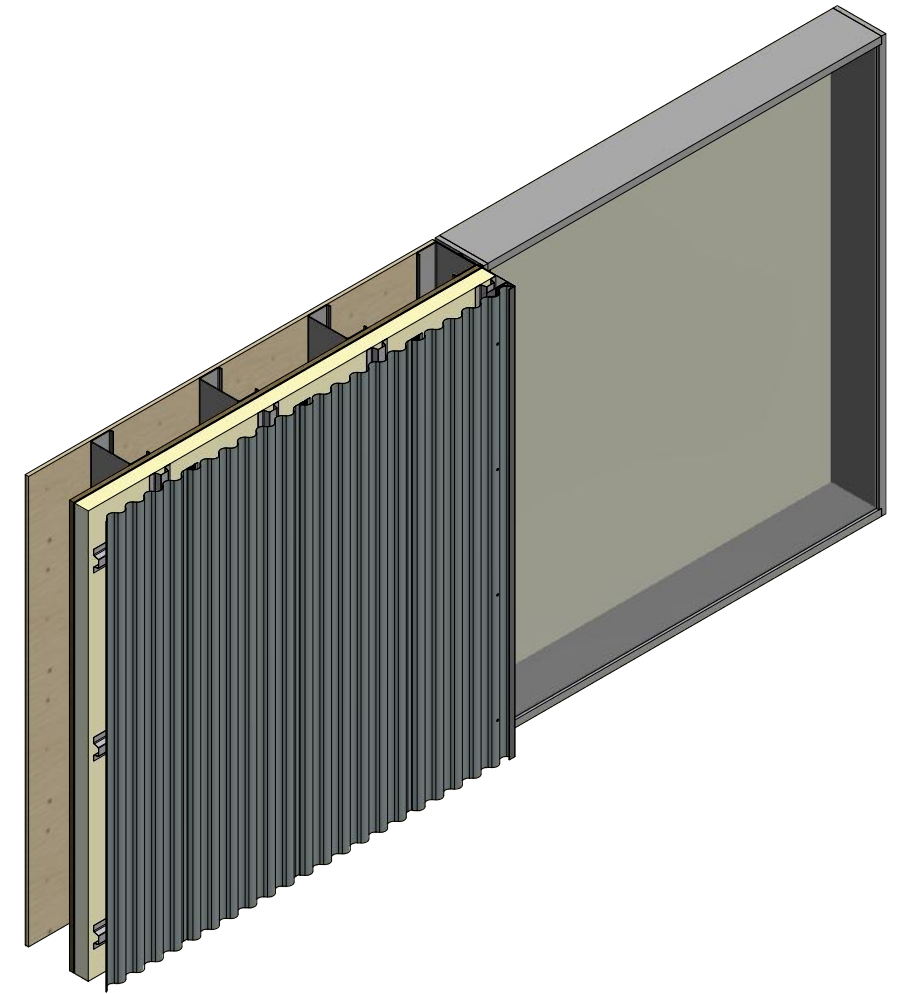
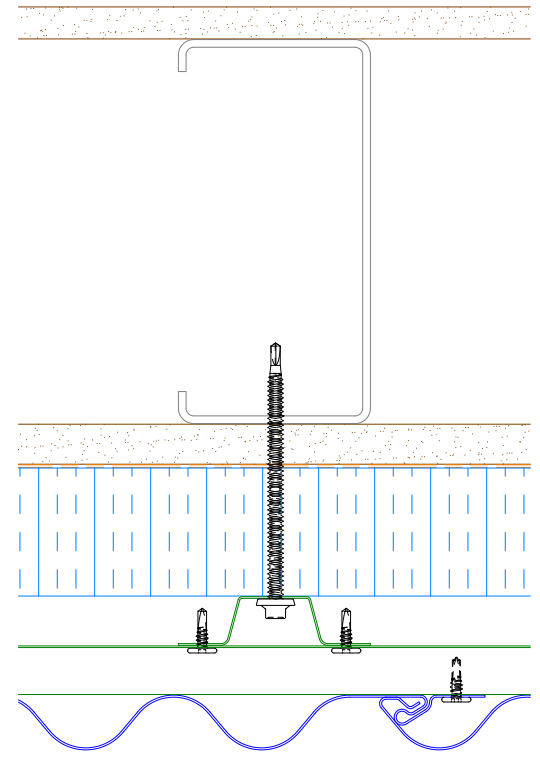


Vertical Panel

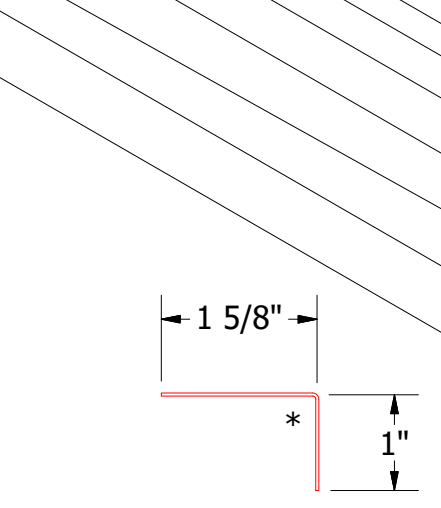


Alternate Subgirt Orientation (NTS)

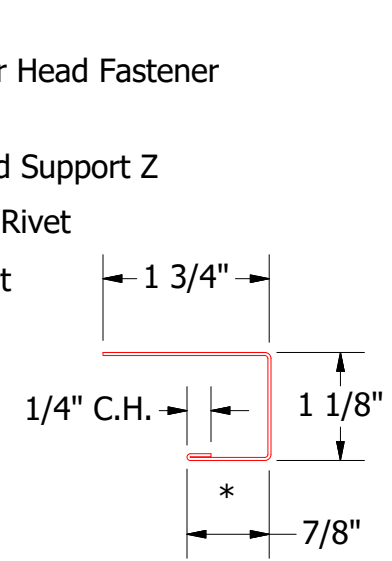


MCA683-Angle Trim with Return

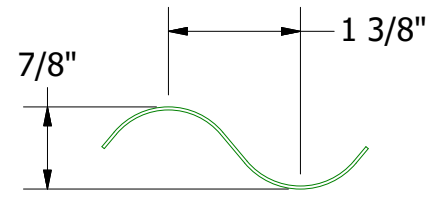
Note: * denotes color side.



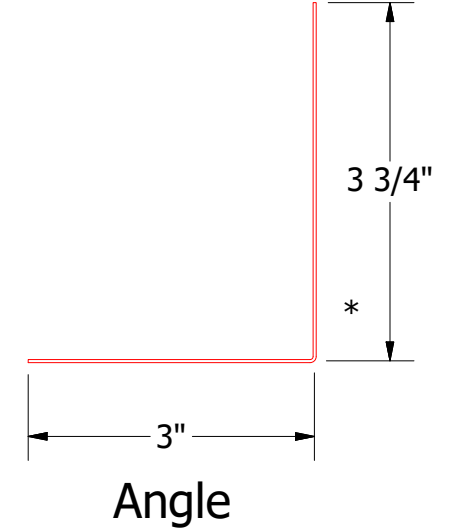
MCA680-Angle Trim



MCA118-J Channel



MCA682 Corra-Lok Profiled Support Z



Angle

REV. NO.	DATE	DESCRIPTION OF REVISION	BY	APP
1	2/27/20	Replaced Support Z with Corra-Lok Profiled Support Z	DMR	

ATAS ATAS INTERNATIONAL, INC
 Allentown PA
 610-395-8445
 Mesa AZ
 480-558-7210

TITLE: Corra-Lok Open Jamb Detail

DWG. NO.	DR	DATE
	DMR	2/15/2017
MATERIAL	APP	DATE
SH. SIZE	B	SCALE
		X:X