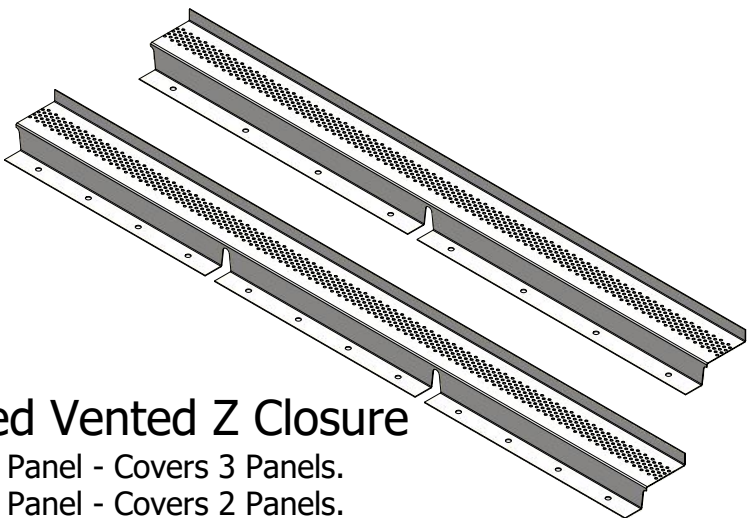
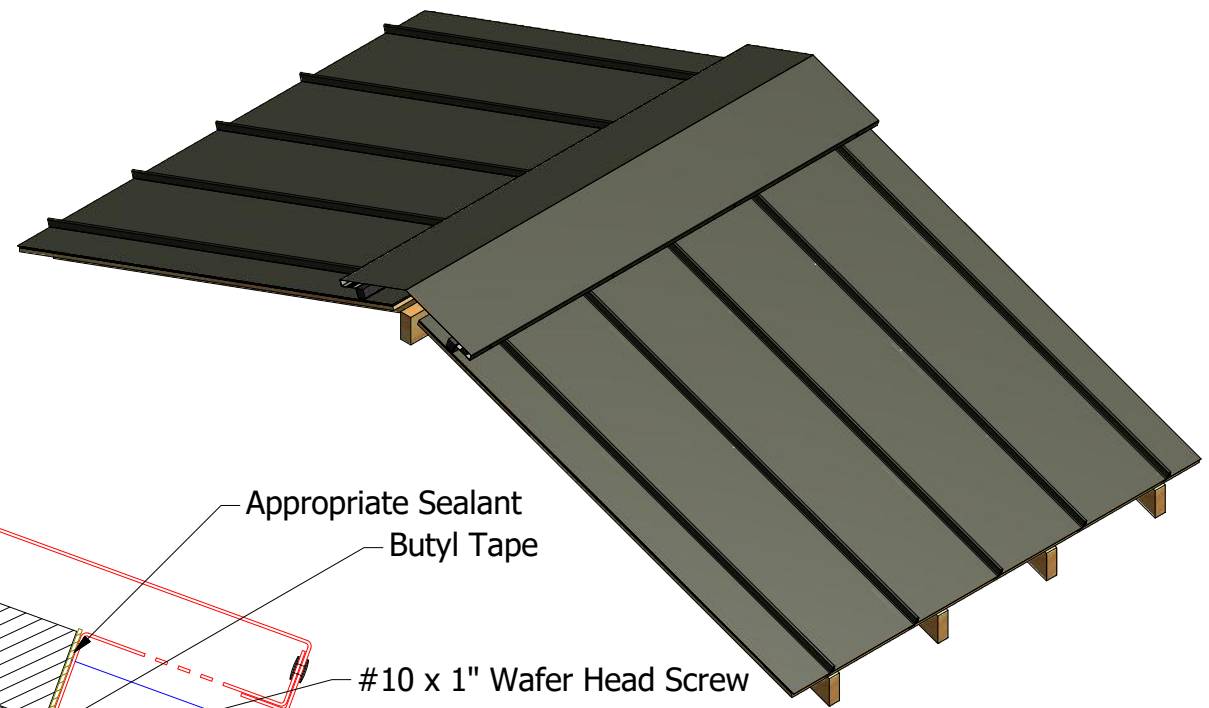
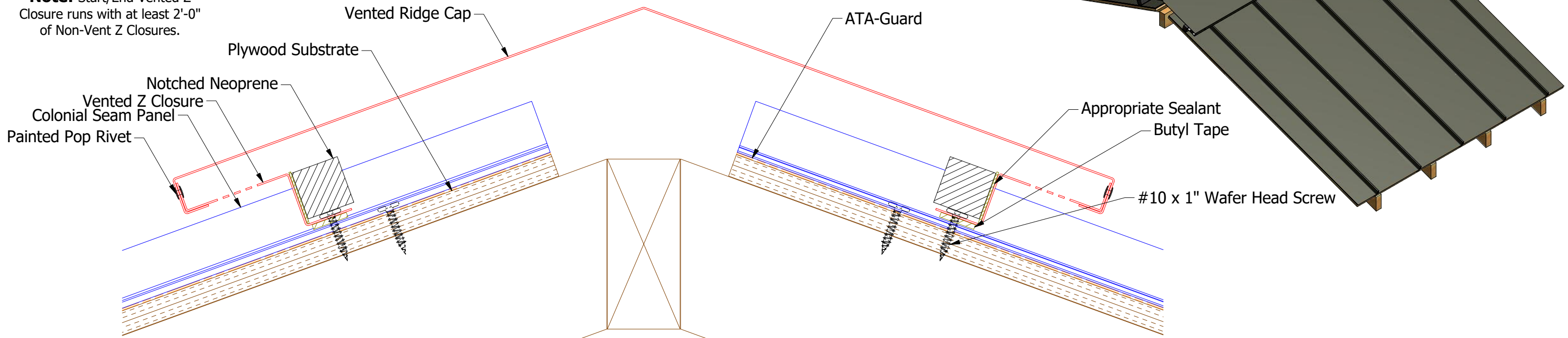
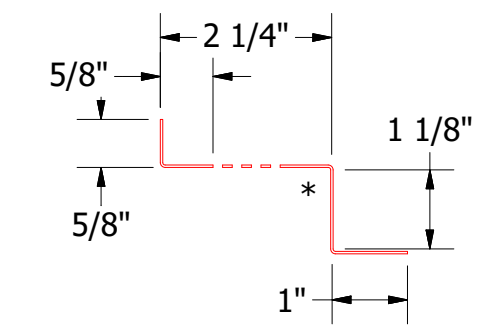


Note: Start/End Vented Z Closure runs with at least 2'-0" of Non-Vent Z Closures.

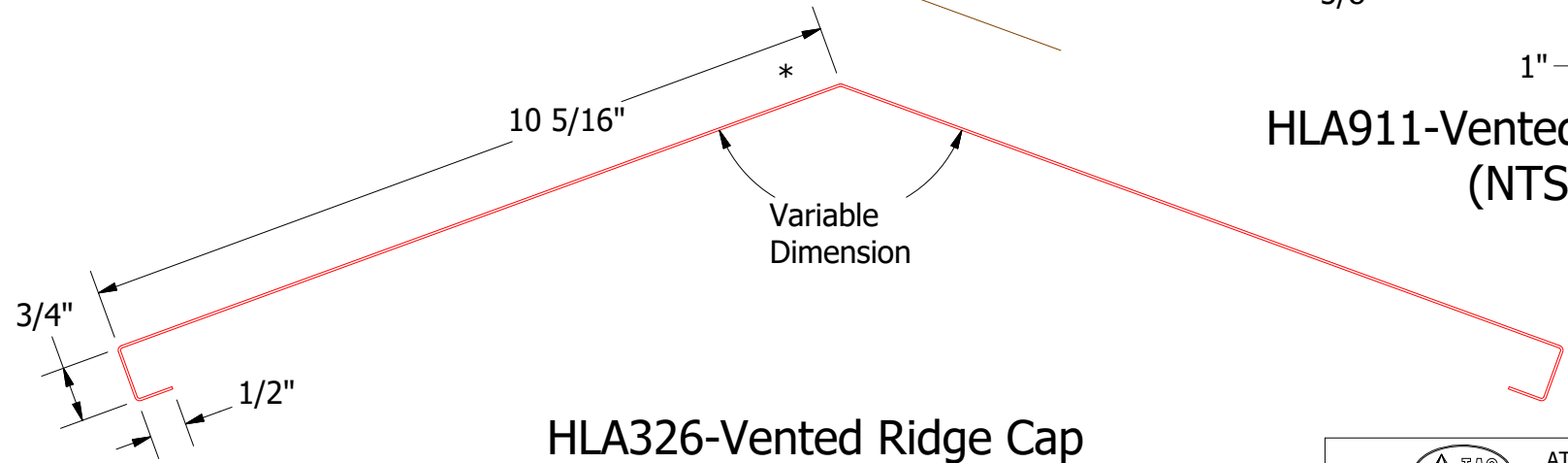


Factory Pre Notched Vented Z Closure

HLA924 - 12 3/8" Wide Panel - Covers 3 Panels.
HLA925 - 16 3/8" Wide Panel - Covers 2 Panels.



HLA911-Vented Z Closure (NTS)



HLA326-Vented Ridge Cap (NTS)

ATAS ATAS INTERNATIONAL, INC
Allentown PA
610-395-8445
Mesa AZ
480-558-7210

TITLE Colonial Seam Vented Ridge Detail			
DWG. NO.	DR	DATE	
01	KRK	5/16/2016	
REV. NO.	APP	DATE	
01			
DATE	DESCRIPTION OF REVISION	BY	APP
8/10/2020	Added SKU's for Vented Pre Notched Z Closures	KRK	
SH. SIZE	B	SCALE	X:X

Note: * denotes color side.

Note: Neoprene Closures are not required if Factory Pre Notched Vented Z Closures are utilized.