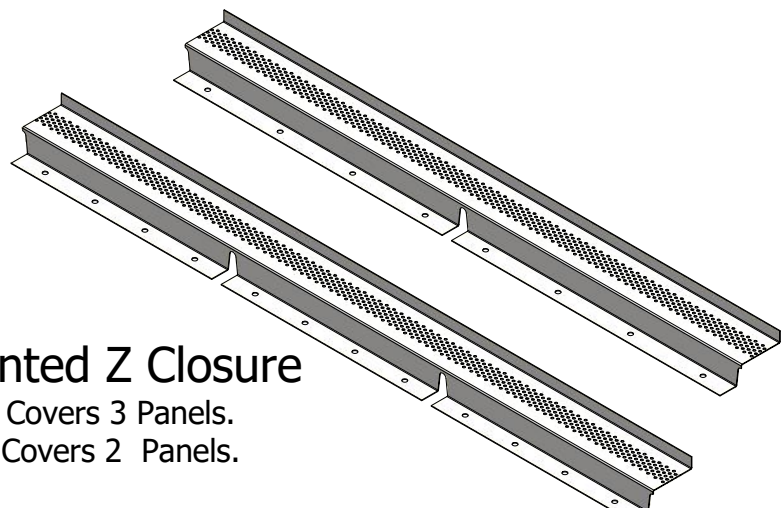
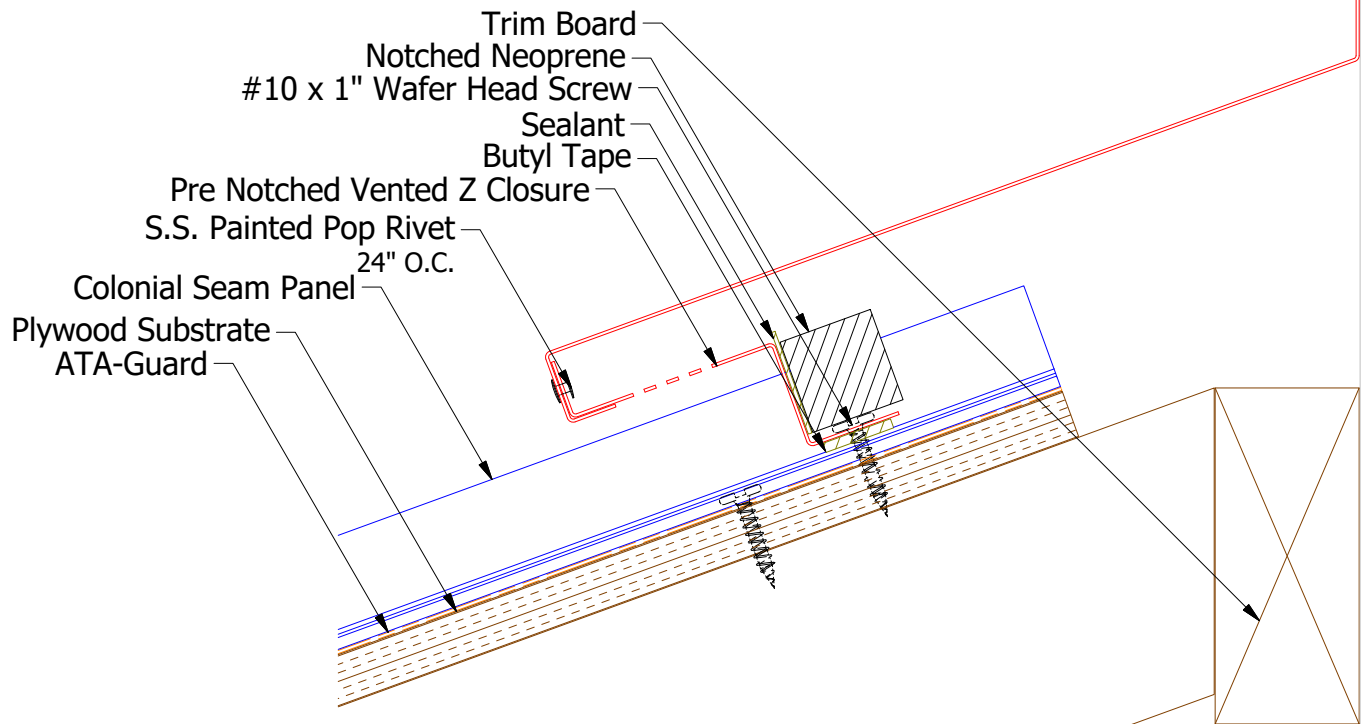


Note: Start/End Vented Z Closure runs with at least 2'-0" of Non-Vent Z Closures.

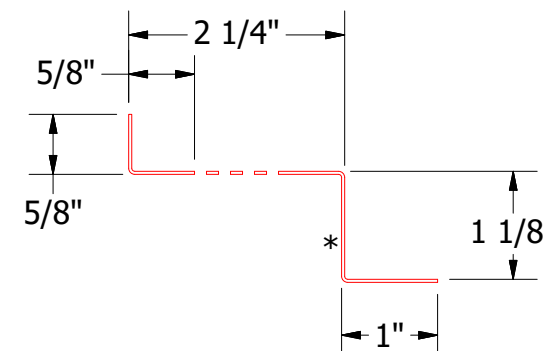


Factory Pre Notched Vented Z Closure

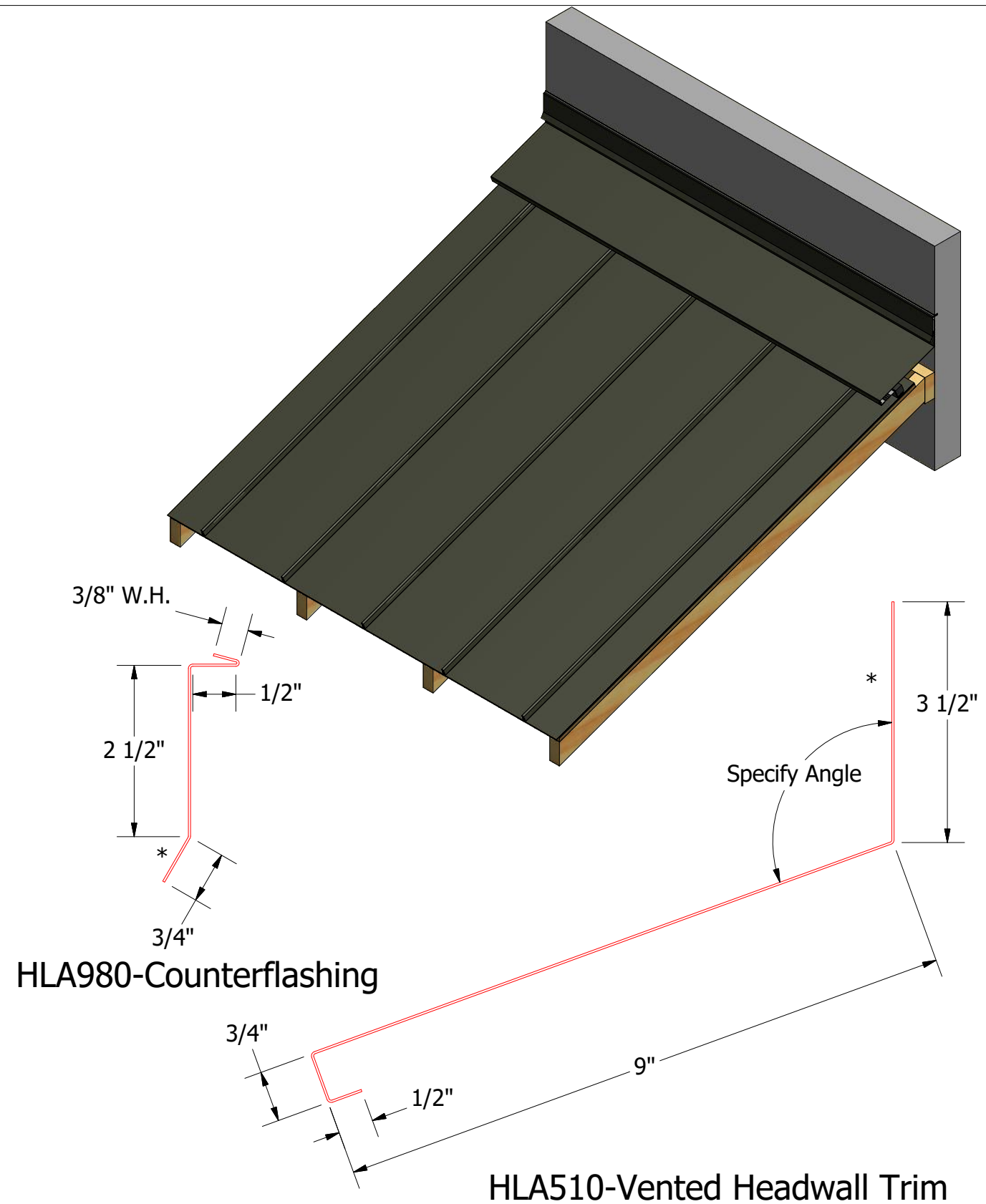
HLA924 - 12 3/8" Wide Panel - Covers 3 Panels.
 HLA925 - 16 3/8" Wide Panel - Covers 2 Panels.

Note: * denotes color side.

Note: Neoprene Closures are not required if Factory Pre Notched Vented Z Closures are utilized.



Vented Z Closure



HLA980-Counterflashing

HLA510-Vented Headwall Trim



ATAS INTERNATIONAL, INC
 Allentown PA
 610-395-8445
 Mesa AZ
 480-558-7210

Colonial Seam Vented Headwall Detail

REV. NO.	DATE	DESCRIPTION OF REVISION	BY	APP	DWG. NO.	DR	DATE
02	8/10/2020	Added SKU's for Vented Pre Notched Z Closures	KRK			KRK	5/16/2016
1	6/28/18	Updated Substrate and Titles	MBP				

MATERIAL: SH. SIZE: B SCALE: X:X