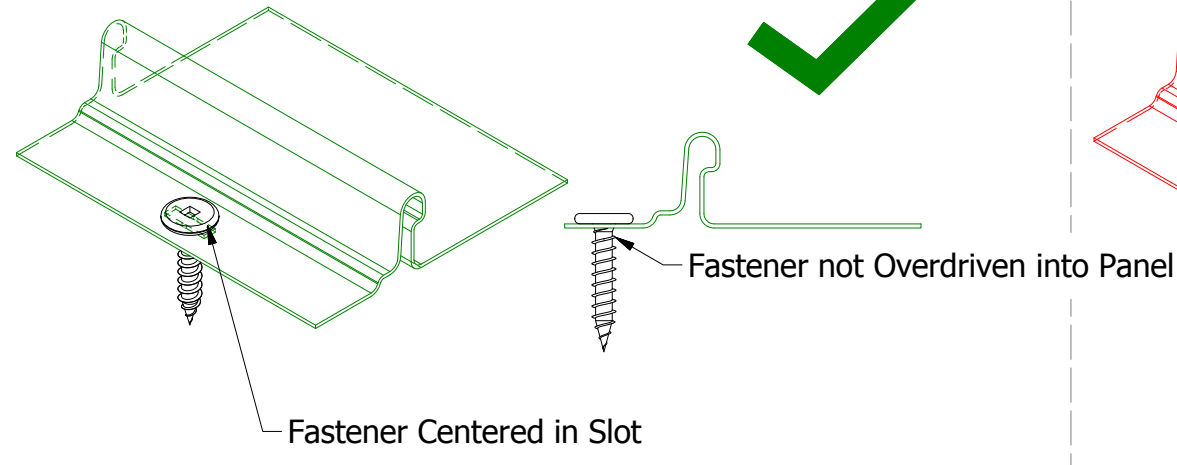
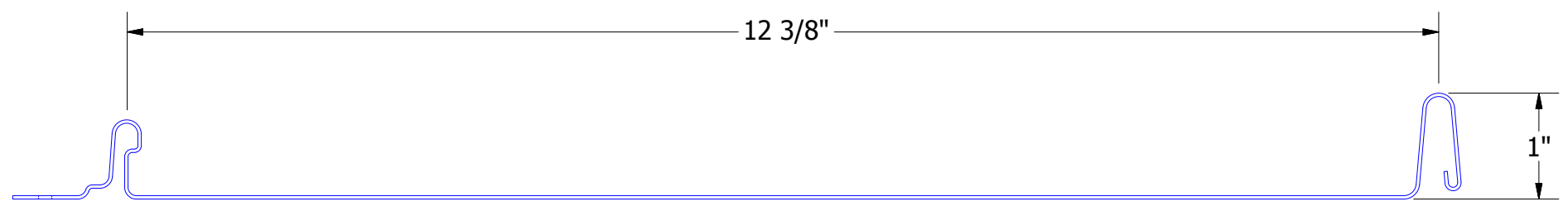
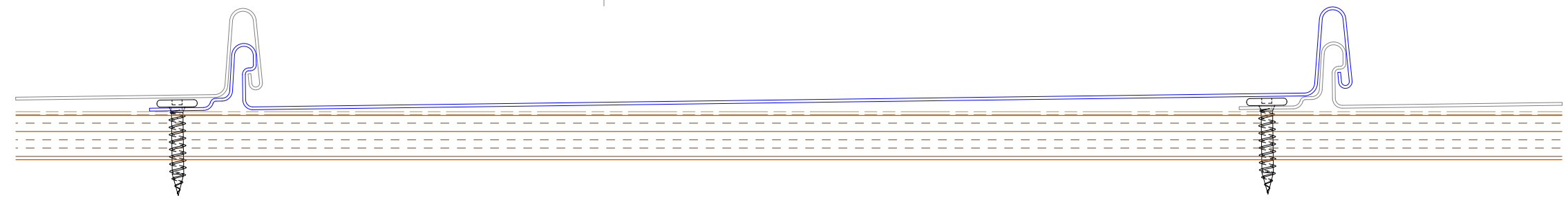
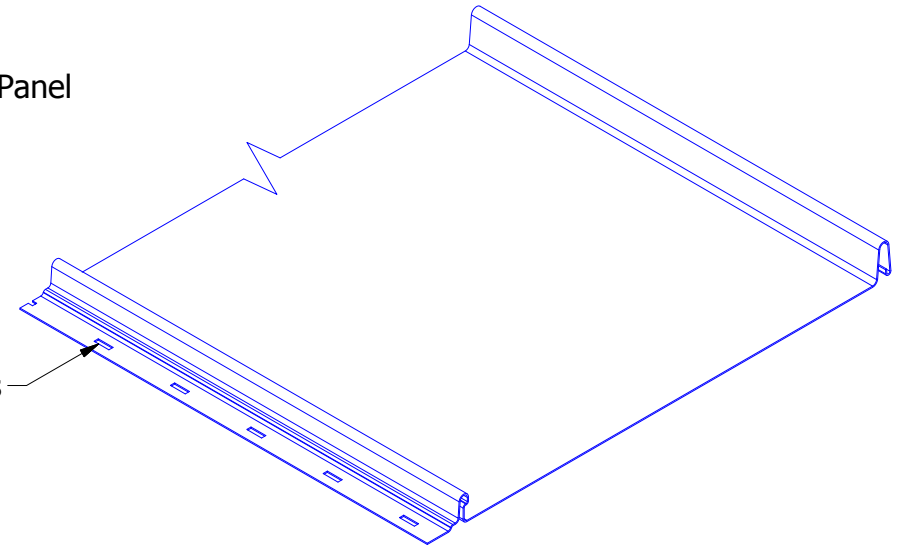
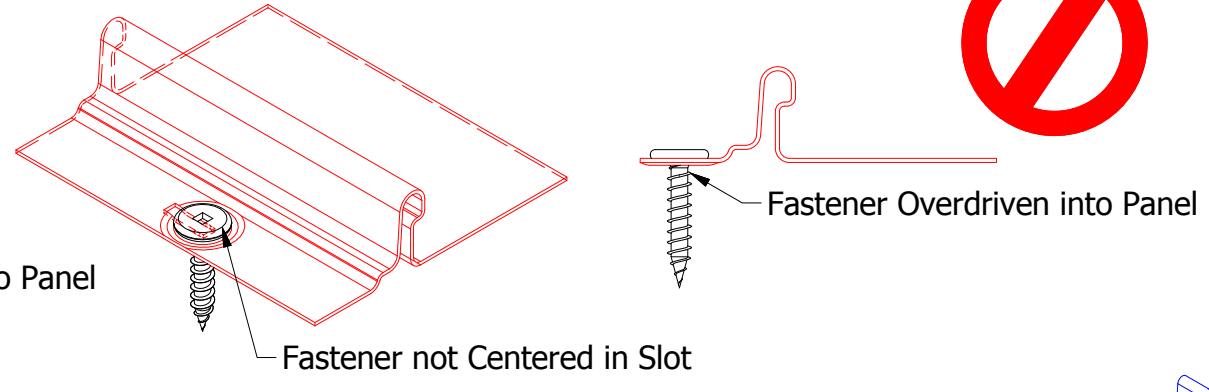


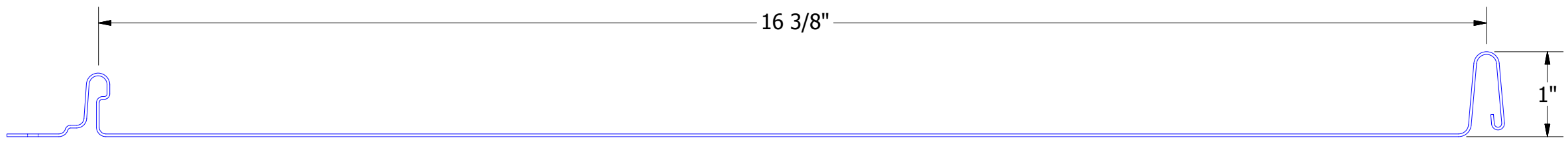
**Correct Fastener Attachment**



**Incorrect Fastener Attachment**



HCS120-Colonial Seam



HCS160-Colonial Seam

**ATAS** ATAS INTERNATIONAL, INC  
 Allentown PA  
 610-395-8445  
 Mesa AZ  
 480-558-7210

TITLE Colonial Seam Panel Profile Detail

REV. NO.	DATE	DESCRIPTION OF REVISION	BY	APP	DWG. NO.	DR	DATE
						KRK	5/10/2016
					MATERIAL	APP	DATE
					SH. SIZE	B	SCALE X:X