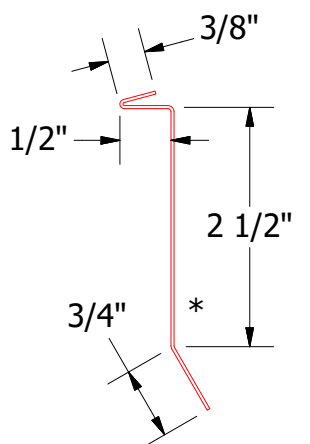
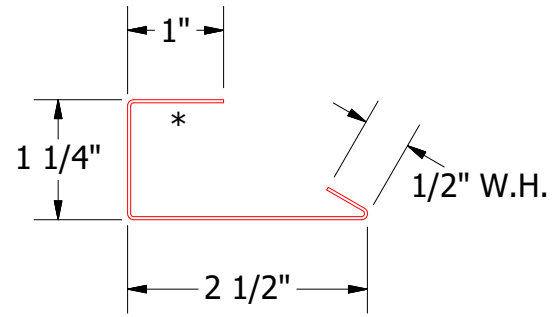


HCA410 - Sidewall Trim



Counterflashing



HCA200 - Channel Trim

ATAS ATAS INTERNATIONAL, INC
 Allentown PA
 610-395-8445
 Mesa AZ
 480-558-7210

| | | | | | | | | | |
|----------|------------|------|---|-----|-----|----------|-----|---------------------------|------|
| REV. NO. | | DATE | DESCRIPTION OF REVISION | BY | APP | TITLE | | CastleTop Sidewall Detail | |
| 03 | 11/11/2021 | | Removed Wall Panels, added Counterflashing | KRK | | DWG. NO. | DR | KRK | DATE |
| 02 | 4/29/2021 | | Updated Panel Fastener to 9 x 1 1/2" HWH Stainless Steel Fastener | DMR | | MATERIAL | APP | | DATE |
| 01 | 5/16/18 | | Updated Sidewall Substrate and Trim Install | DMR | | SH. SIZE | B | SCALE | X:X |

Note: * denotes color side