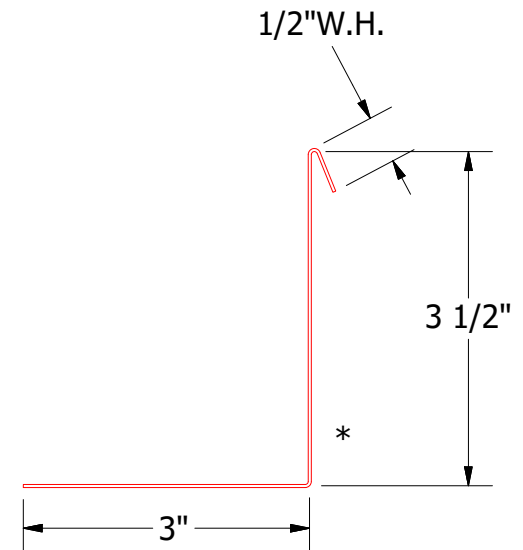
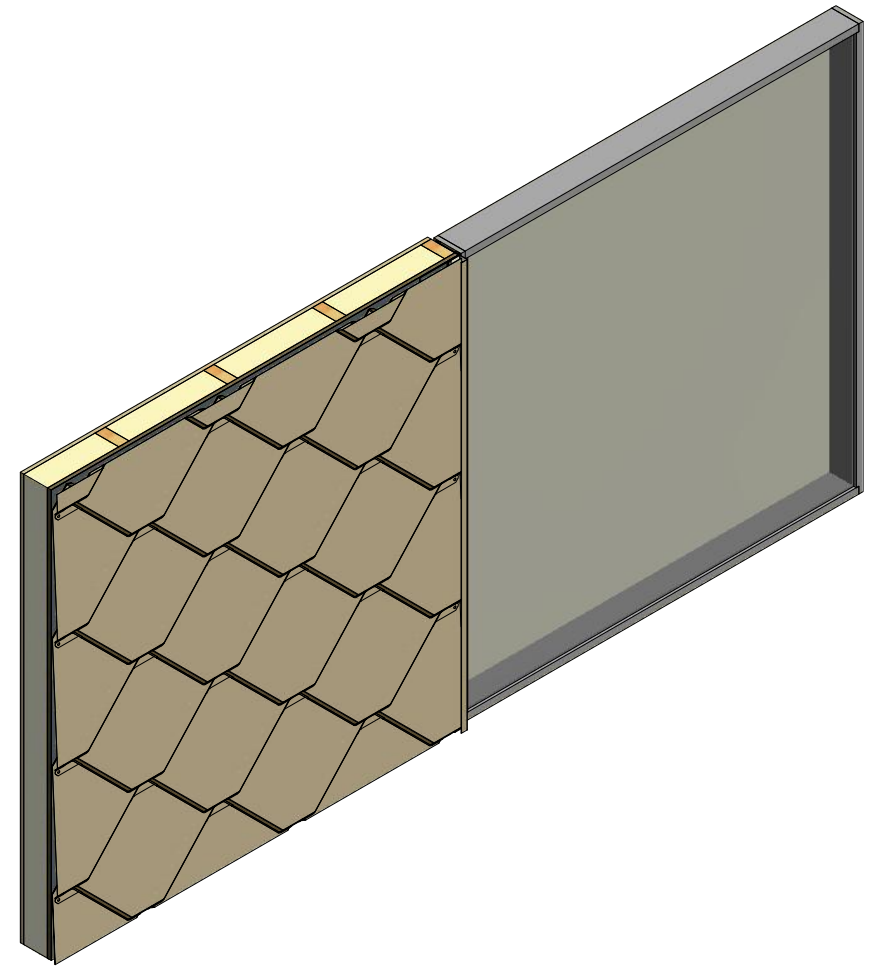
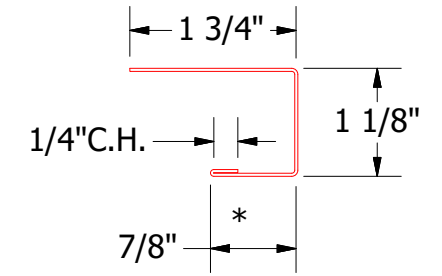


- Water and Air Resistive Barrier
- 1/2" Plywood (min.)
- CastleTop Panel
- Angle Trim With Return
- Membrane Strip Over J Channel
- Butyl Tape
- #10 x 1" Wafer Head Screw
- Backer Rod and Sealant
- J Channel
- Window




HCA683 - Angle Trim With Return



HCA118 - J Channel

Note: * denotes color side.

 ATAS INTERNATIONAL, INC Allentown PA 610-395-8445 Mesa AZ 480-558-7210		TITLE	
		CastleTop Jamb Detail	
DWG. NO.	DR	DATE	DATE
01	MBP	8/5/2016	8/5/2016
REV. NO.	APP	DATE	SCALE
01	DAS	8/5/16	X:X
DATE	DESCRIPTION OF REVISION	BY	APP
6/23/2020	Added Color Side Note.	KRK	APP

REV. NO.	DATE	DESCRIPTION OF REVISION	BY	APP
01	6/23/2020	Added Color Side Note.	KRK	APP