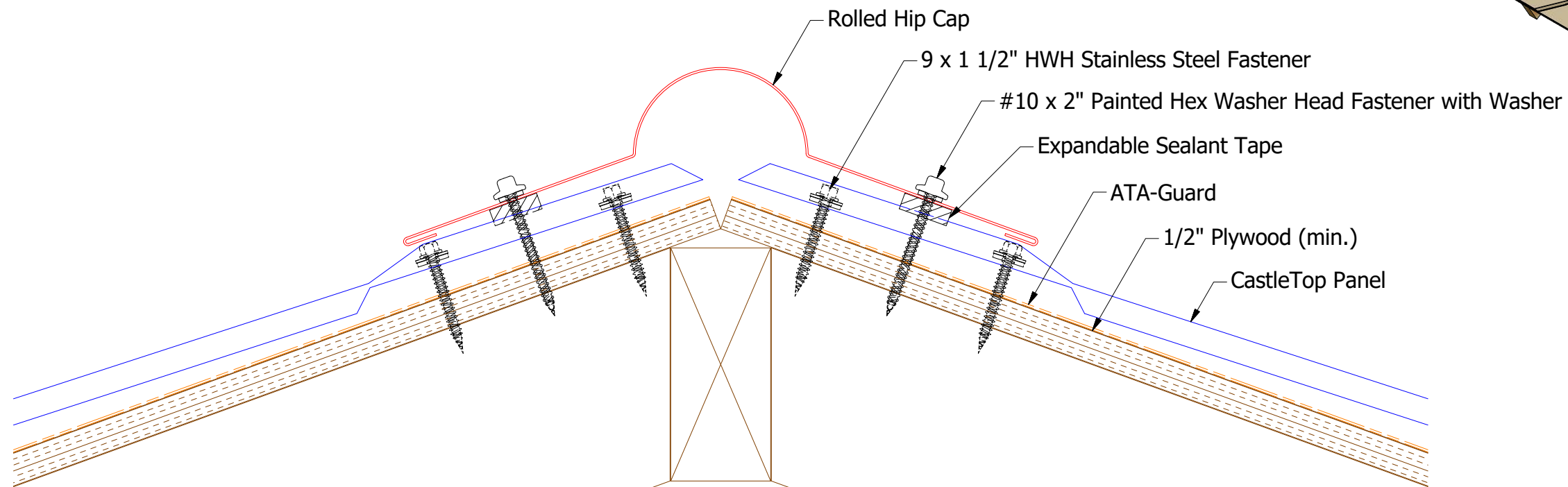
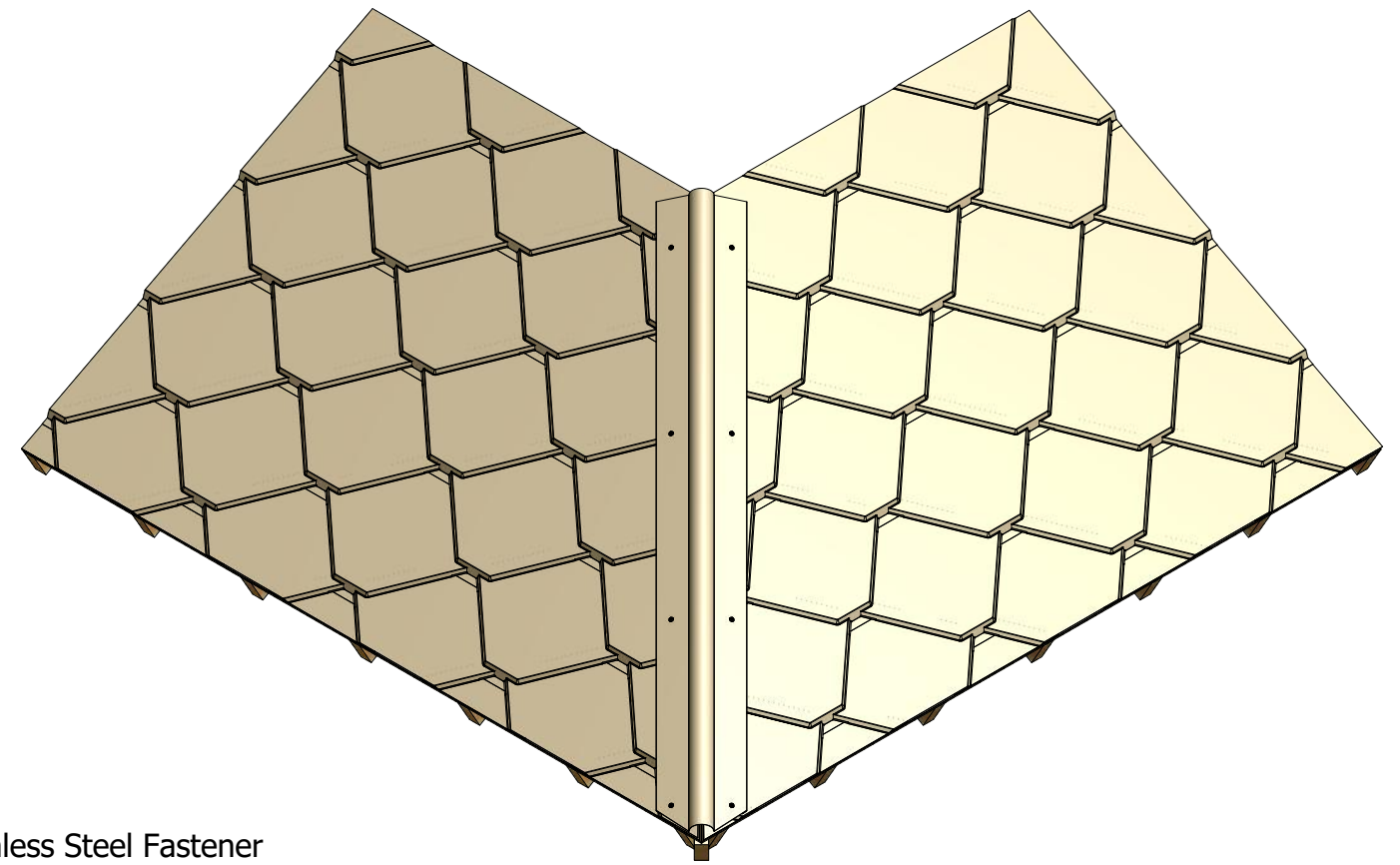


HCA303 - Rolled Hip Cap



Note: * denotes color side


ATAS INTERNATIONAL, INC
 Allentown PA
 610-395-8445
 Mesa AZ
 480-558-7210

REV. NO.	DATE	DESCRIPTION OF REVISION	BY	APP	TITLE	DWG. NO.	DR	DATE
03	4/29/2021	Updated Panel Fastener to 9 x 1 1/2" HWH Stainless Steel Fastener	DMR		CastleTop Hip Detail		KRK	11/20/2014
02	4/24/2020	Updated Rolled Hip Trim to Specify the Angle	KRK					DATE
01	4/23/2018	Updated Hip Substrate	DMR					DATE
					MATERIAL			
					SH. SIZE	B	SCALE	X:X