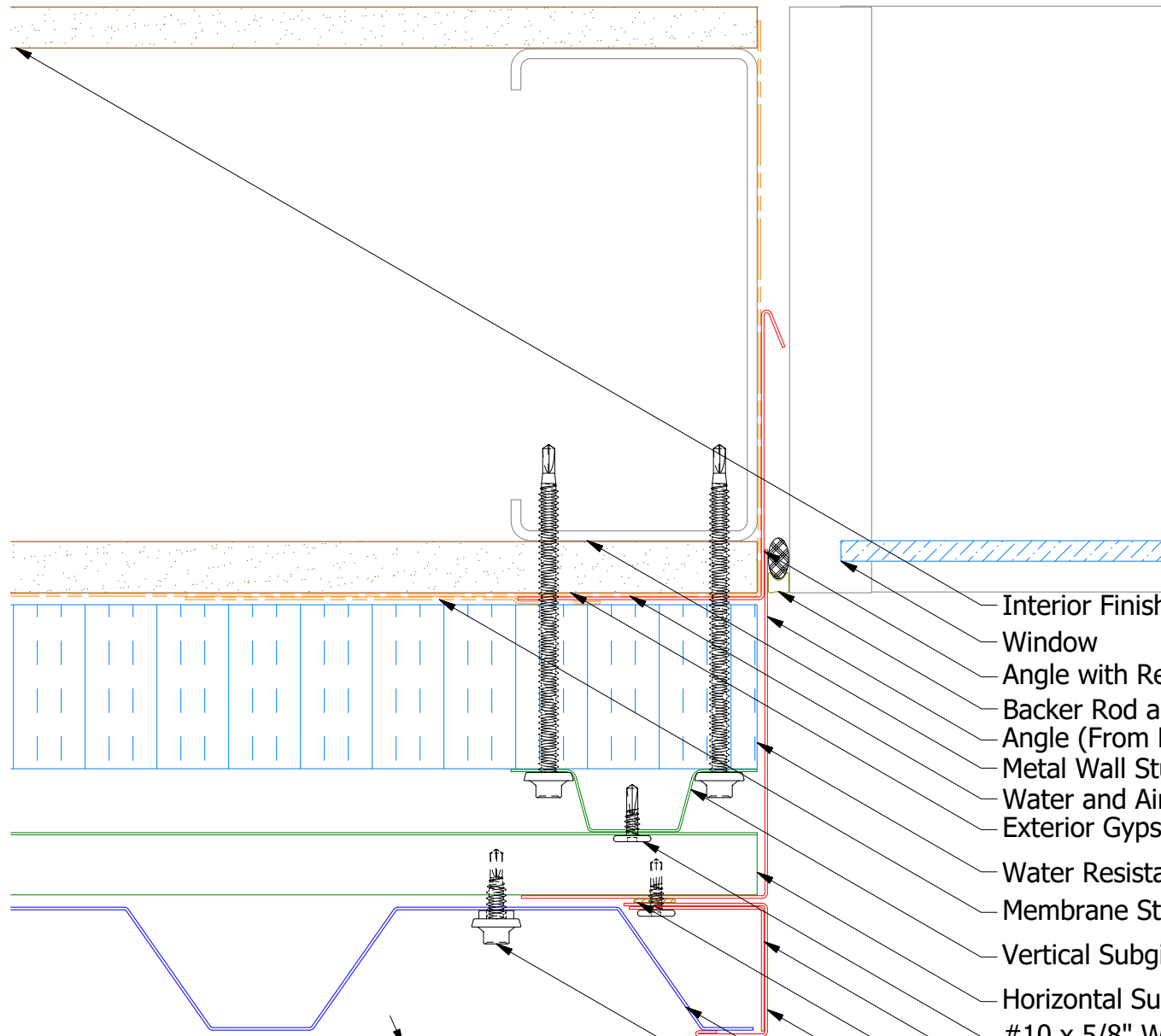
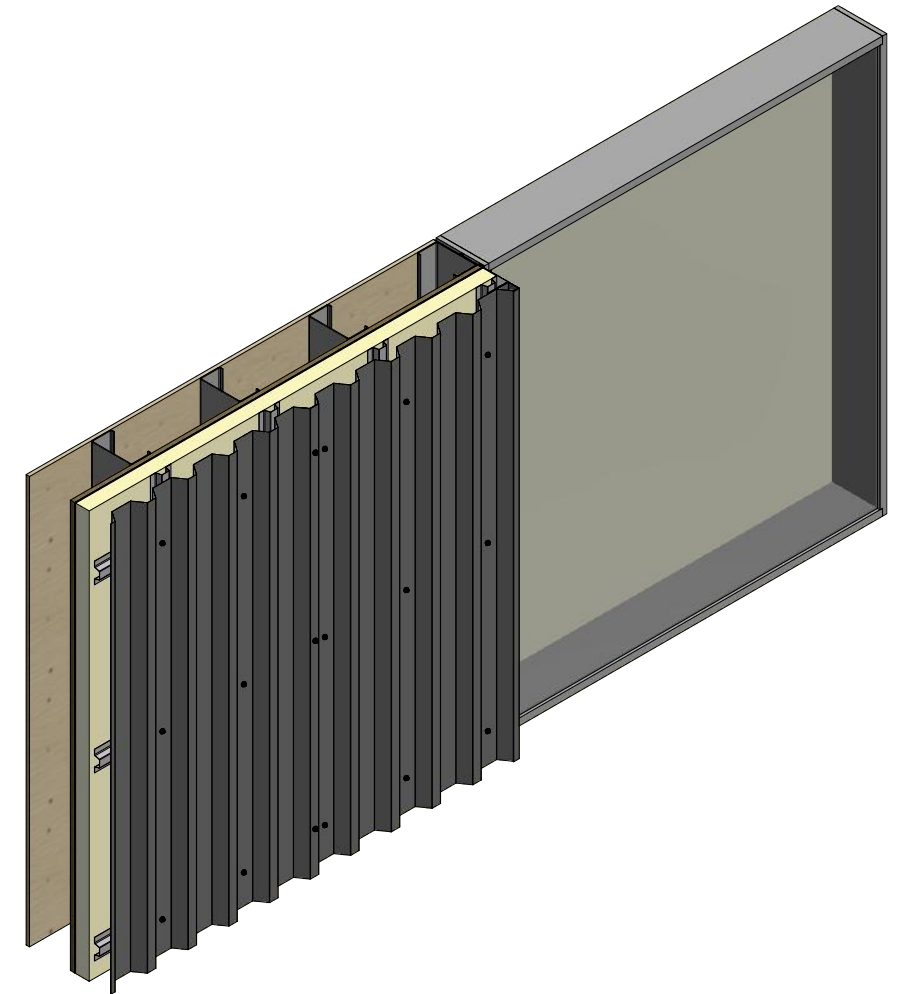
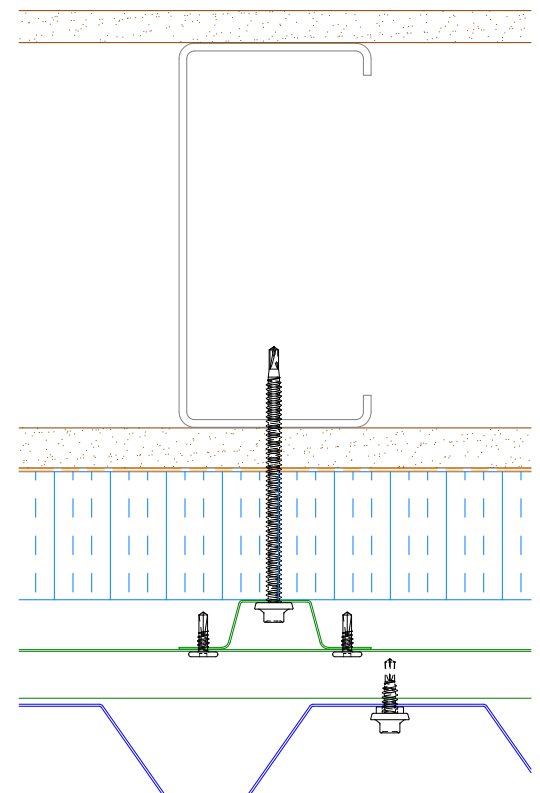


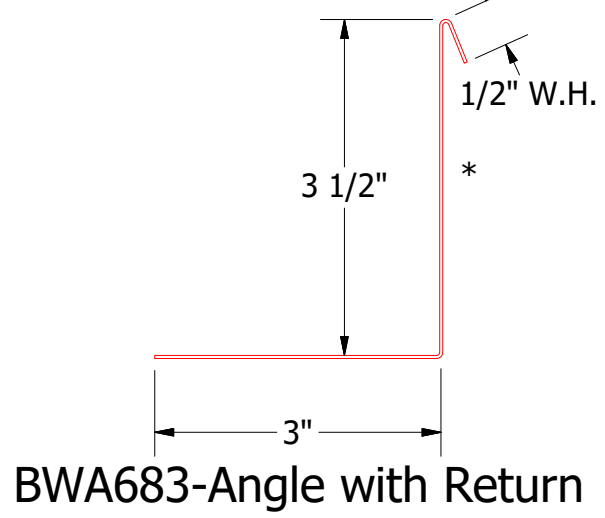
Vertical Panel



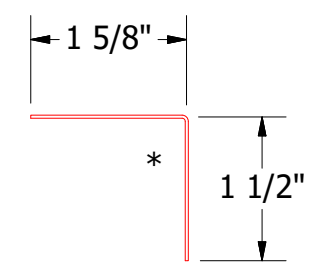
Alternate Subgirt Orientation (NTS)



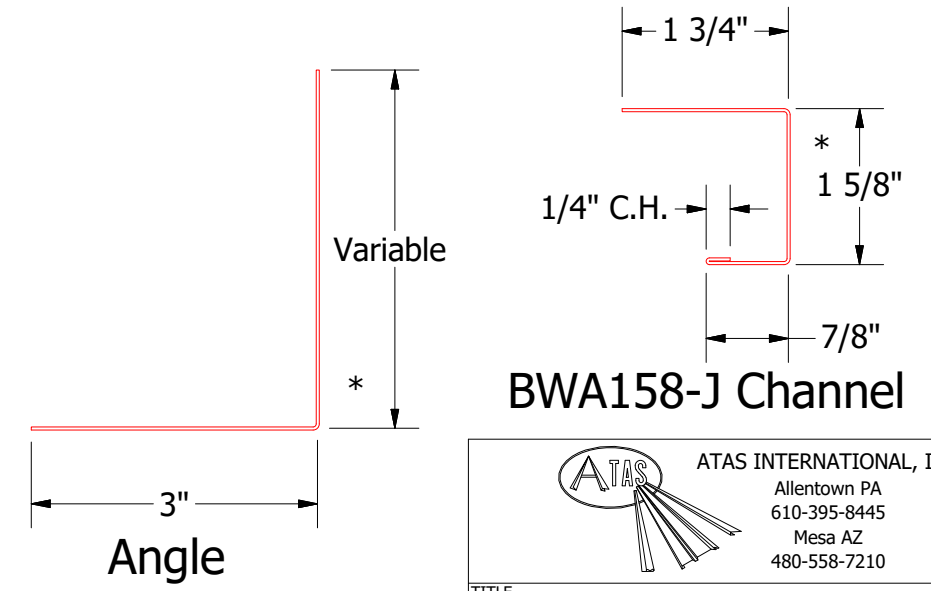
- Interior Finish
- Window
- Angle with Return
- Backer Rod and Sealant
- Angle (From Flatstock)
- Metal Wall Stud
- Water and Air Resistive Barrier
- Exterior Gypsum Board
- Water Resistant Insulation
- Membrane Strip over Angle with Return
- Vertical Subgirt
- Horizontal Subgirt
- #10 x 5/8" Wafer Head Fastener
- Angle Trim
- Butyl Tape
- J Channel
- Short Rib Panel
- #14 x 7/8" Painted Hex Washer Head Fastener with Washer



BWA683-Angle with Return



BWA680-Angle Trim



BWA158-J Channel

Note: * denotes color side.

REV. NO.		DATE		DESCRIPTION OF REVISION		BY	APP

DWG. NO.		DR	DATE
		DMR	8/24/2016
MATERIAL		APP	DATE
SH. SIZE	B	SCALE	X:X

ATAS ATAS INTERNATIONAL, INC
 Allentown PA
 610-395-8445
 Mesa AZ
 480-558-7210

Belvedere Short Rib Open Jamb Detail