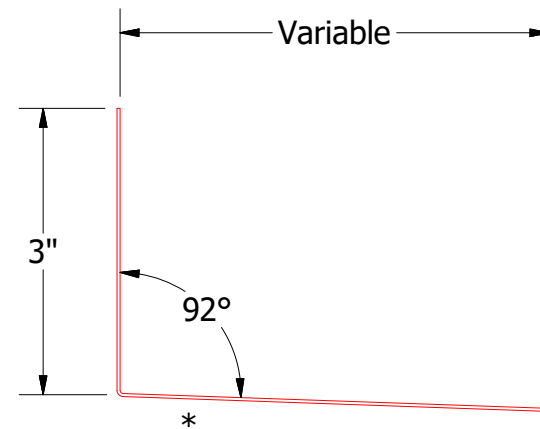
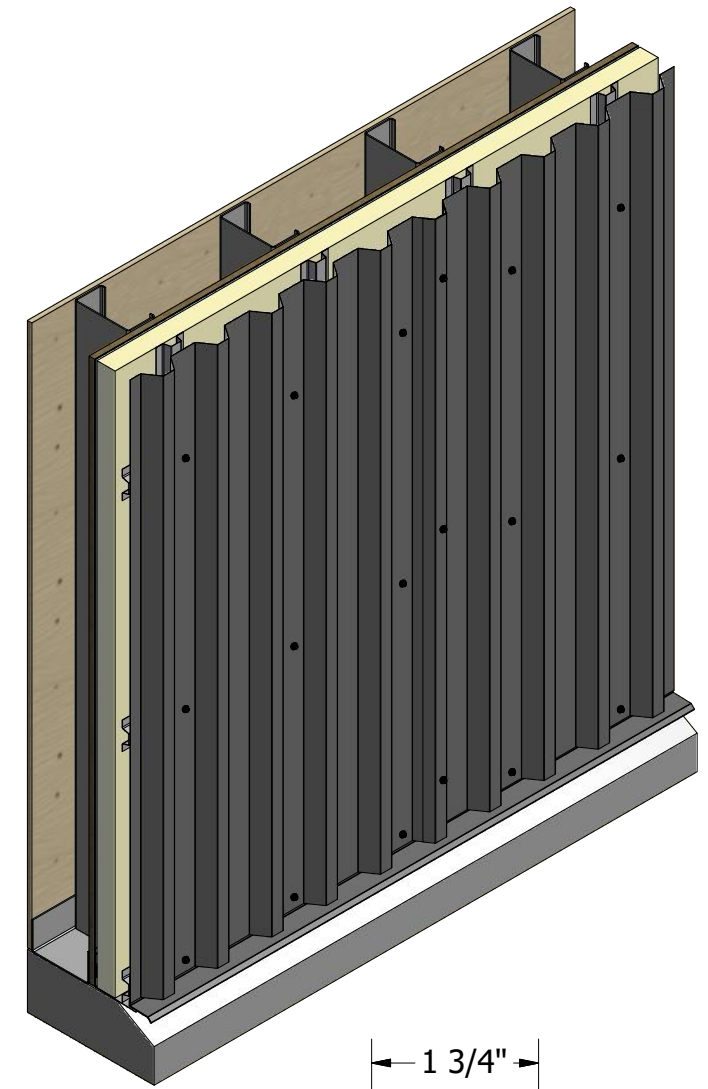
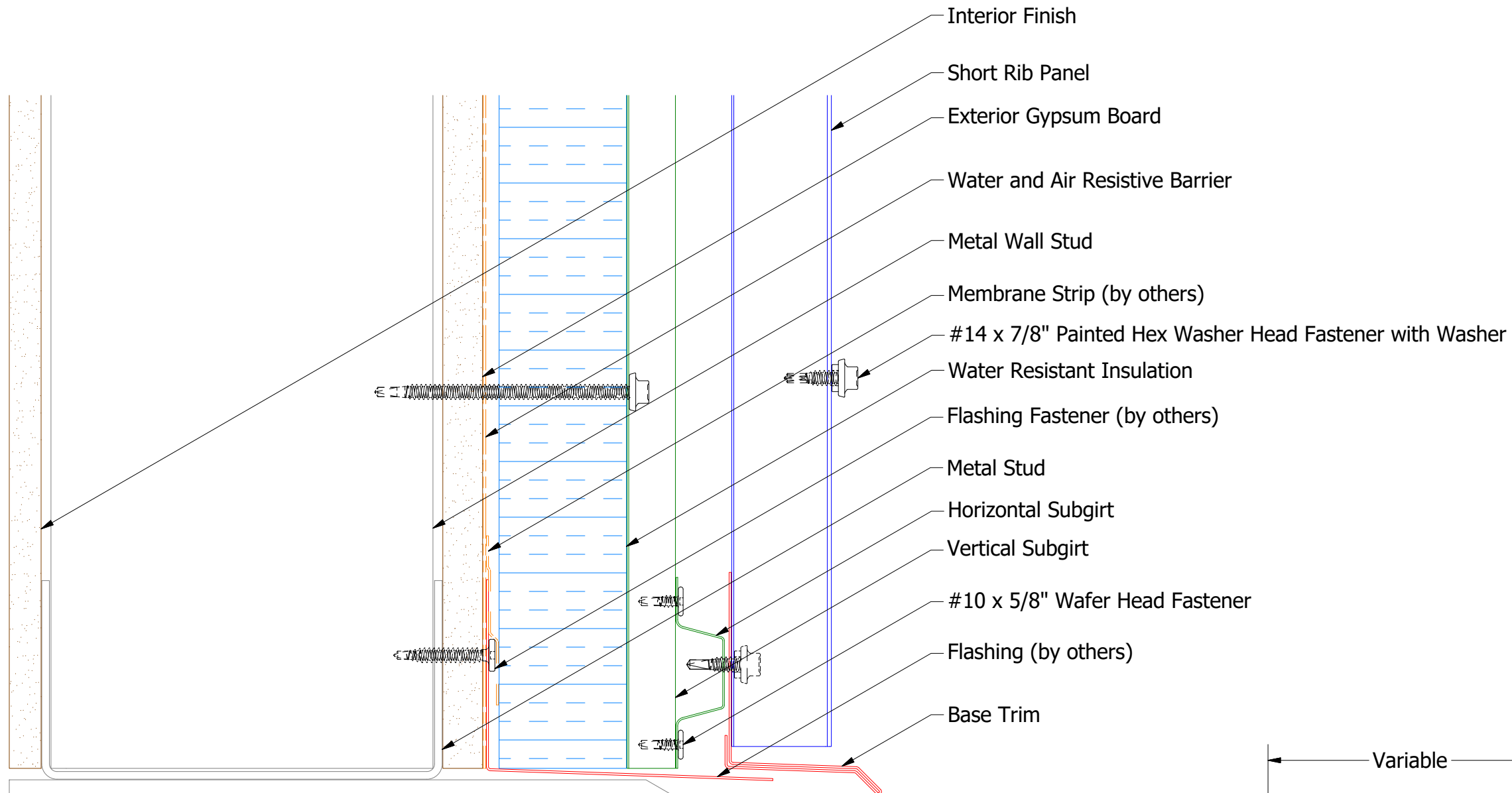
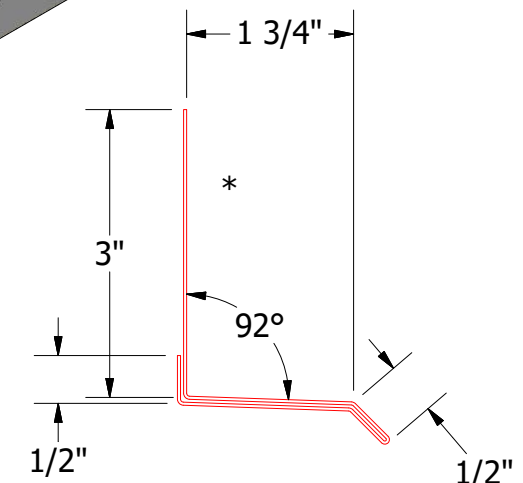


Vertical Panel



Flashing
 (Field Fabricated from Color Matched Flat Stock)



BWA661-Base Trim

2 Stage Method of Weather Proofing



ATAS INTERNATIONAL, INC
 Allentown PA
 610-395-8445
 Mesa AZ
 480-558-7210

TITLE				Belvedere Short Rib Base Detail	
DWG. NO.		DR		DATE	
		KRK		6/15/2015	
MATERIAL		APP		DATE	
		SH. SIZE		SCALE	
		B		X:X	
REV. NO.	DATE	DESCRIPTION OF REVISION	BY	APP	