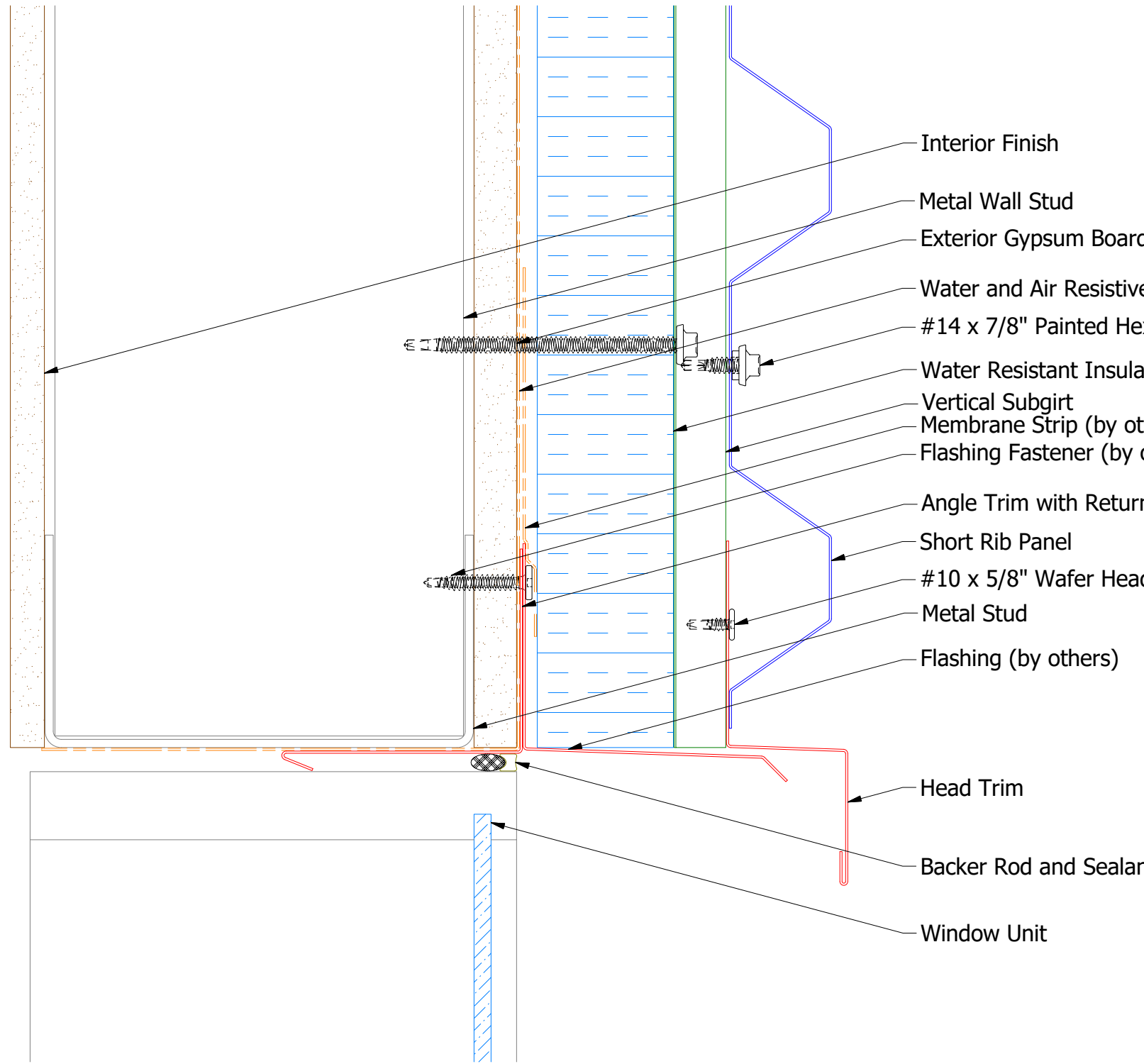
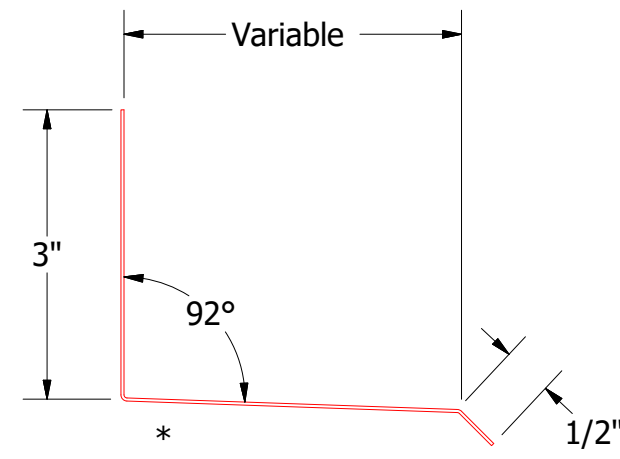


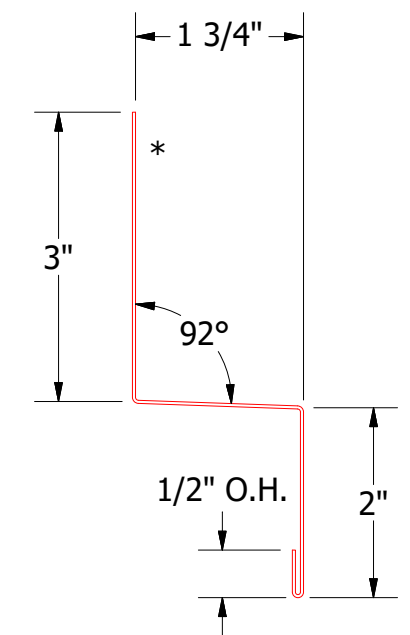
Horizontal Panel



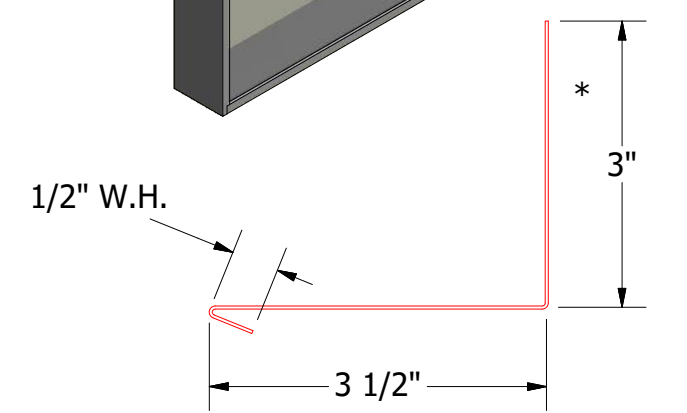
- Interior Finish
- Metal Wall Stud
- Exterior Gypsum Board
- Water and Air Resistive Barrier
- #14 x 7/8" Painted Hex Washer Head Fastener with Washer
- Water Resistant Insulation
- Vertical Subgirt Membrane Strip (by others)
- Flashing Fastener (by others)
- Angle Trim with Return
- Short Rib Panel
- #10 x 5/8" Wafer Head Fastener
- Metal Stud
- Flashing (by others)
- Head Trim
- Backer Rod and Sealant
- Window Unit



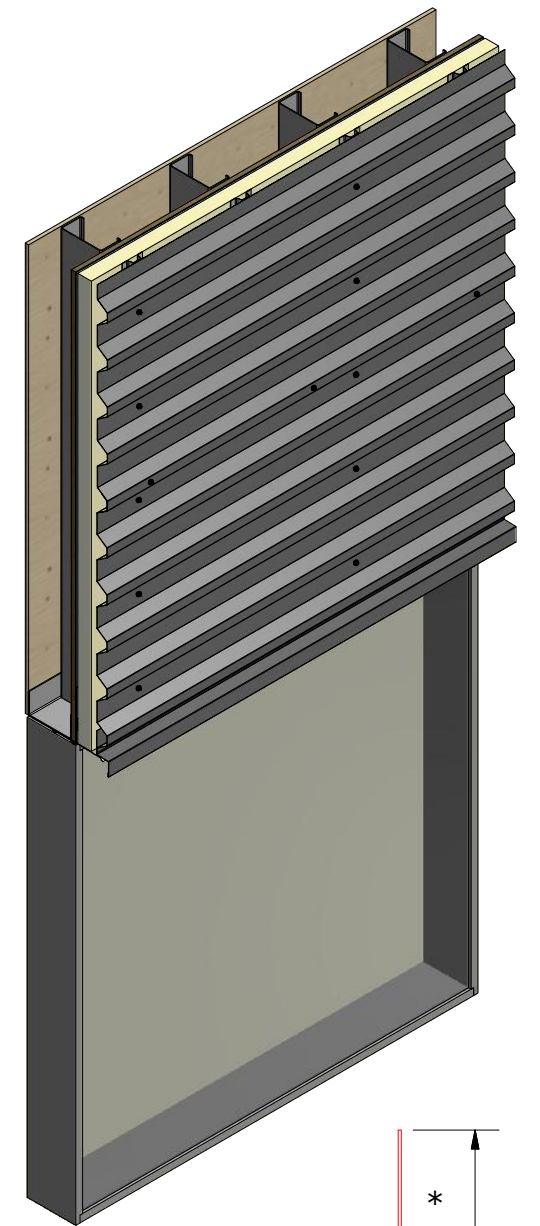
Flashing
(Field Fabricated from Color Matched Flat Stock)



BWA550-Head Trim



BWA683-Angle Trim with Return
(Field Fabricated from Color Matched Flat Stock)



2 Stage Method of Weather Proofing

ATAS ATAS INTERNATIONAL, INC
 Allentown PA
 610-395-8445
 Mesa AZ
 480-558-7210

TITLE				Belvedere Short Rib Head Detail	
DWG. NO.	DR	KRK	DATE	6/16/2015	
	APP		DATE		
MATERIAL			SH. SIZE	B	SCALE
					X:X

REV. NO.	DATE	DESCRIPTION OF REVISION	BY	APP