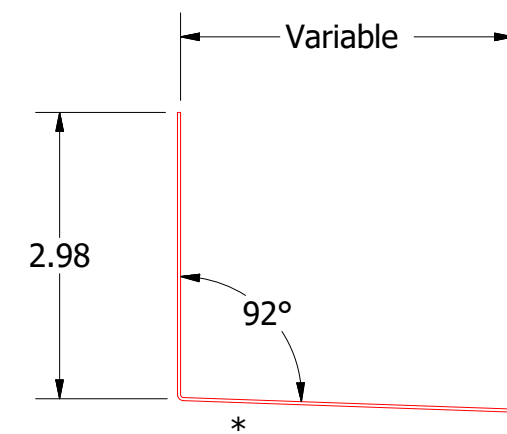
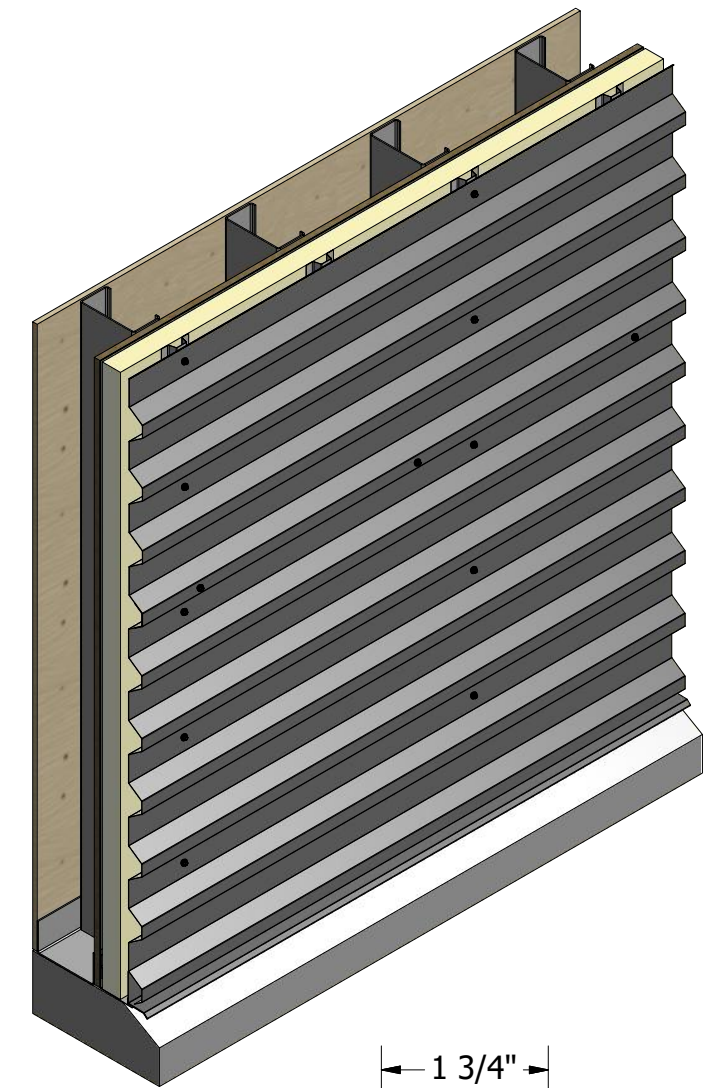
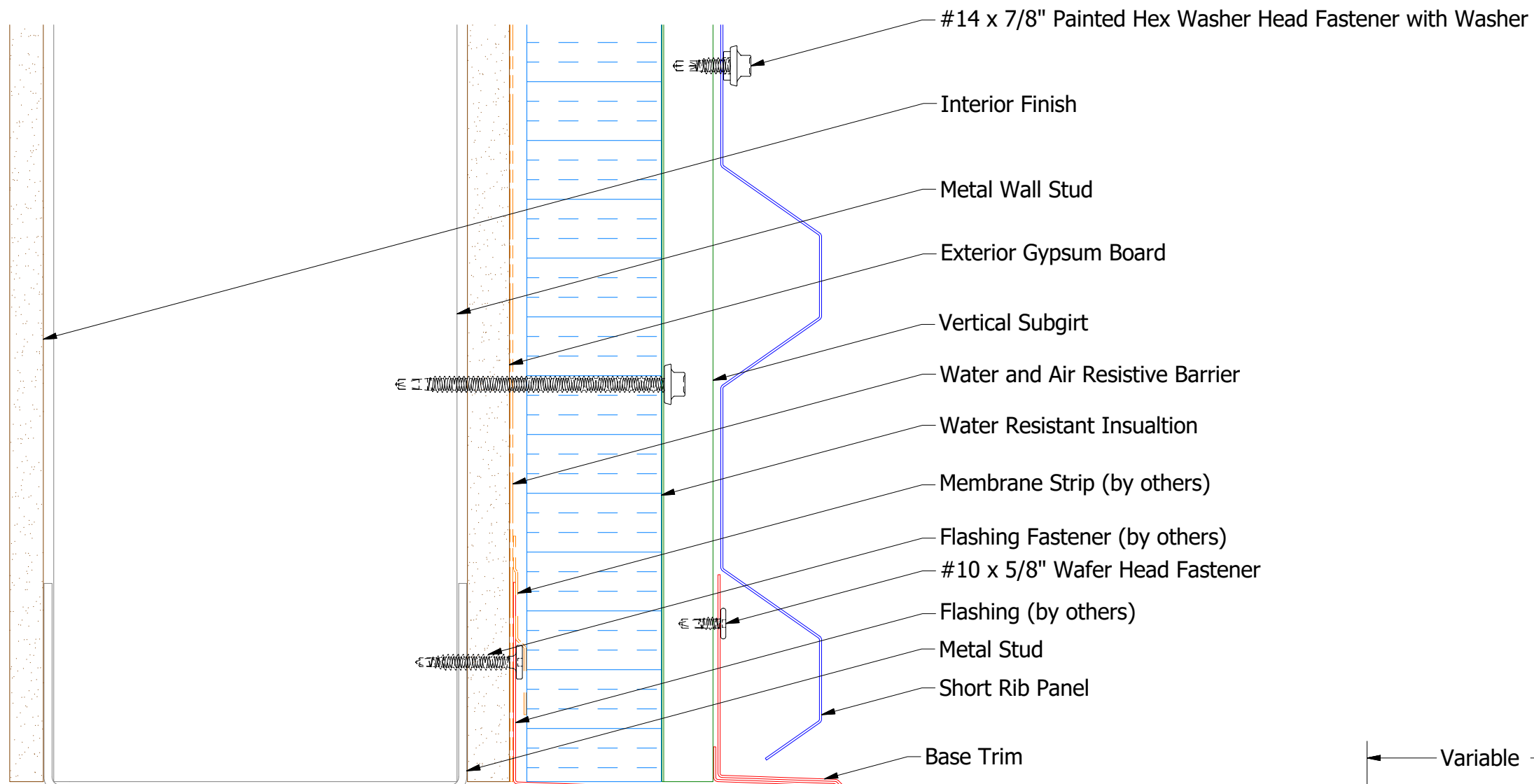
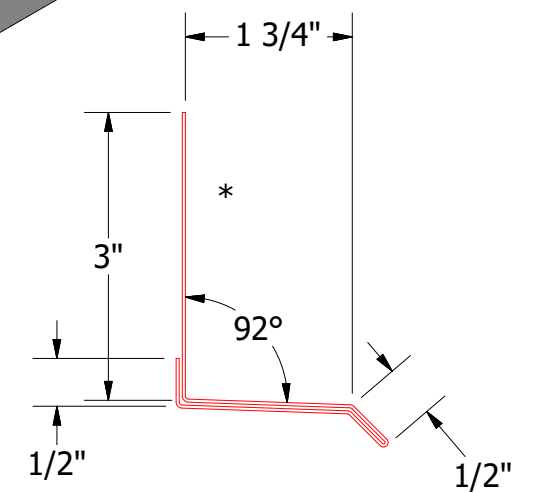


Horizontal Panel

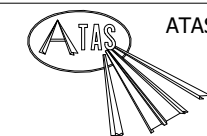


Flashing
(Field Fabricated from Color Matched Flat Stock)



BWA661-Base Trim

2 Stage Method of Weather Proofing



ATAS INTERNATIONAL, INC
 Allentown PA
 610-395-8445
 Mesa AZ
 480-558-7210

TITLE		Belvedere Short Rib Base Detail	
DWG. NO.	DR	KRK	DATE 6/15/2015
MATERIAL	APP		DATE
REV. NO.	DATE	DESCRIPTION OF REVISION	BY APP
			SH. SIZE B SCALE X:X

REV. NO.	DATE	DESCRIPTION OF REVISION	BY	APP