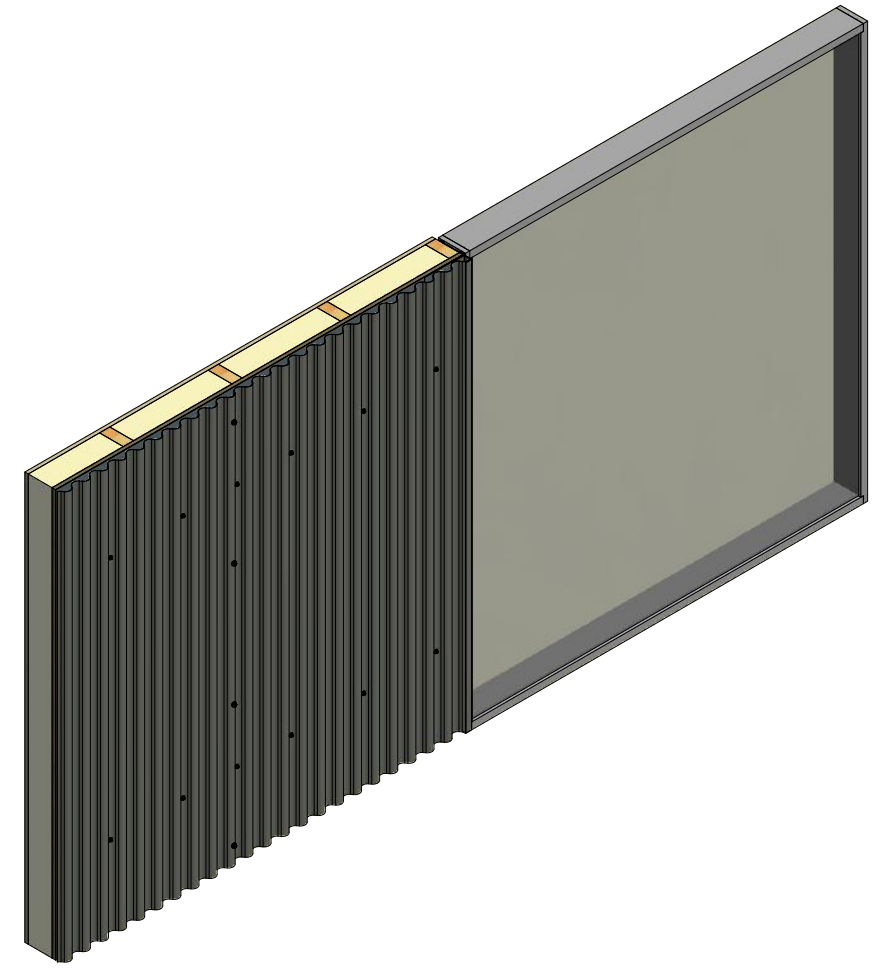
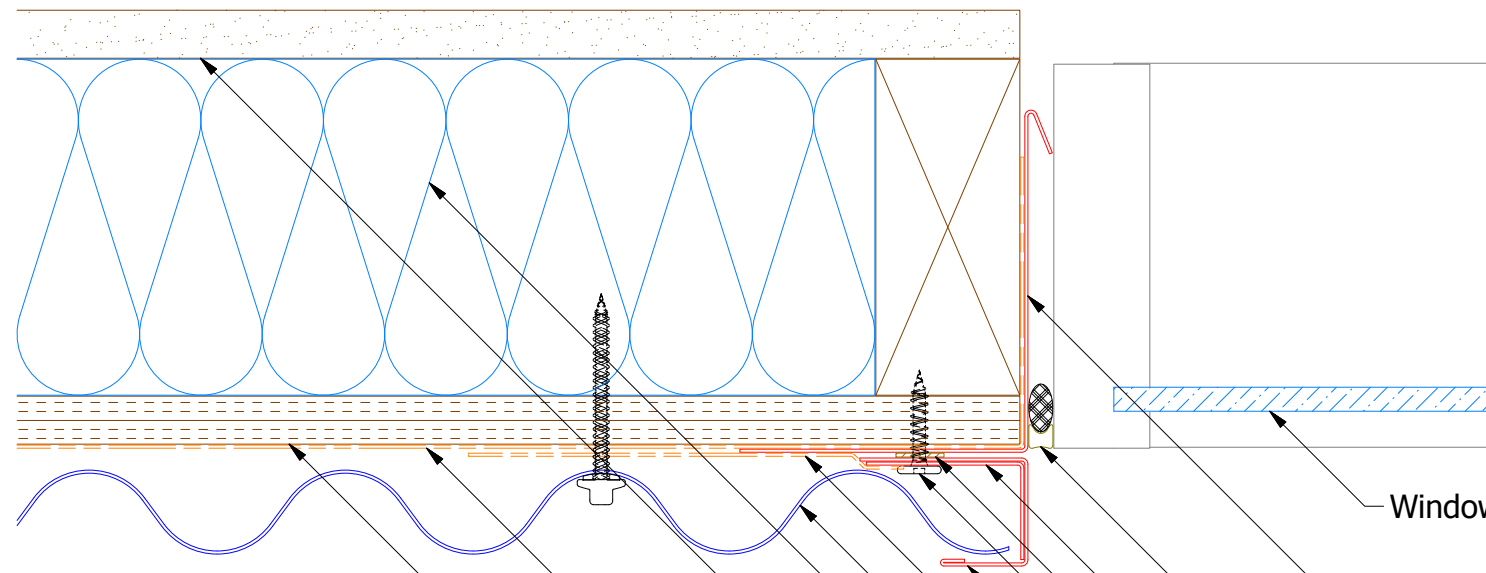
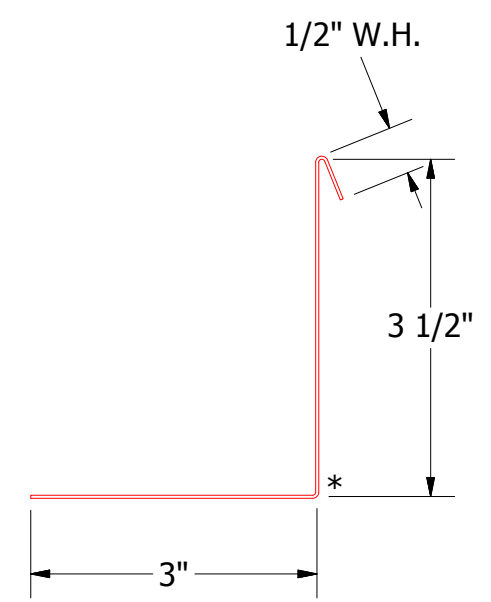


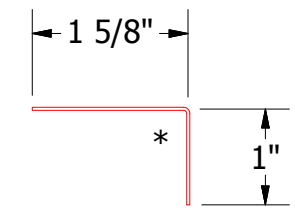
Vertical Panel



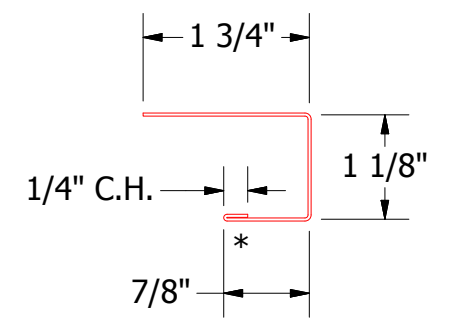
- Window Unit
- Angle Trim With Return
- Backer Rod and Sealant
- Angle Trim
- Butyl Tape
- #10 x 1" Wafer Head Screw
- J Channel
- Membrane Strip over J Channel and Angle Trim
- Corrugated Panel
- Insulation
- Interior Finish
- Water and Air Resistive Barrier
- 1/2" Plywood (min.)



BCA683 - Angle Trim With Return



BCA680-Angle Trim



BCA118-J Channel

REV. NO.	DATE	DESCRIPTION OF REVISION	BY	APP	DWG. NO.	DR	DATE
						KRK	5/8/2015
						DAS	7/29/16
						SH. SIZE	B
						SCALE	X:X


ATAS INTERNATIONAL, INC
 Allentown PA
 610-395-8445
 Mesa AZ
 480-558-7210

TITLE **Belvedere Corrugated Jamb Detail**