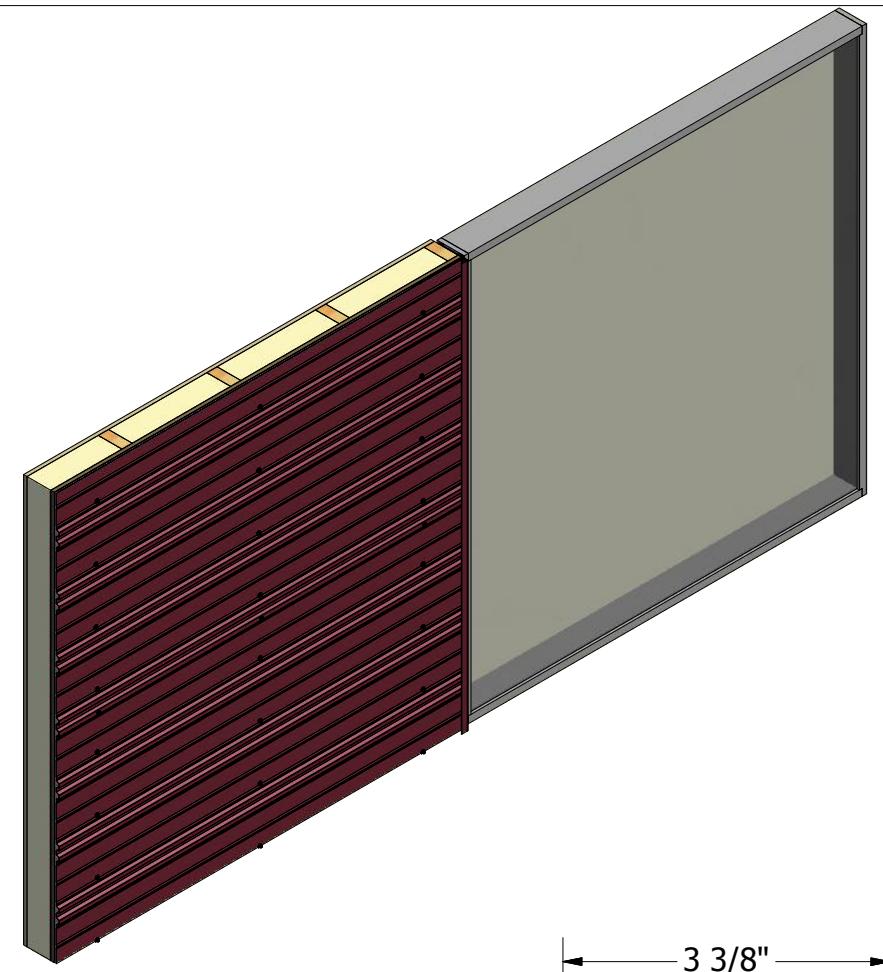
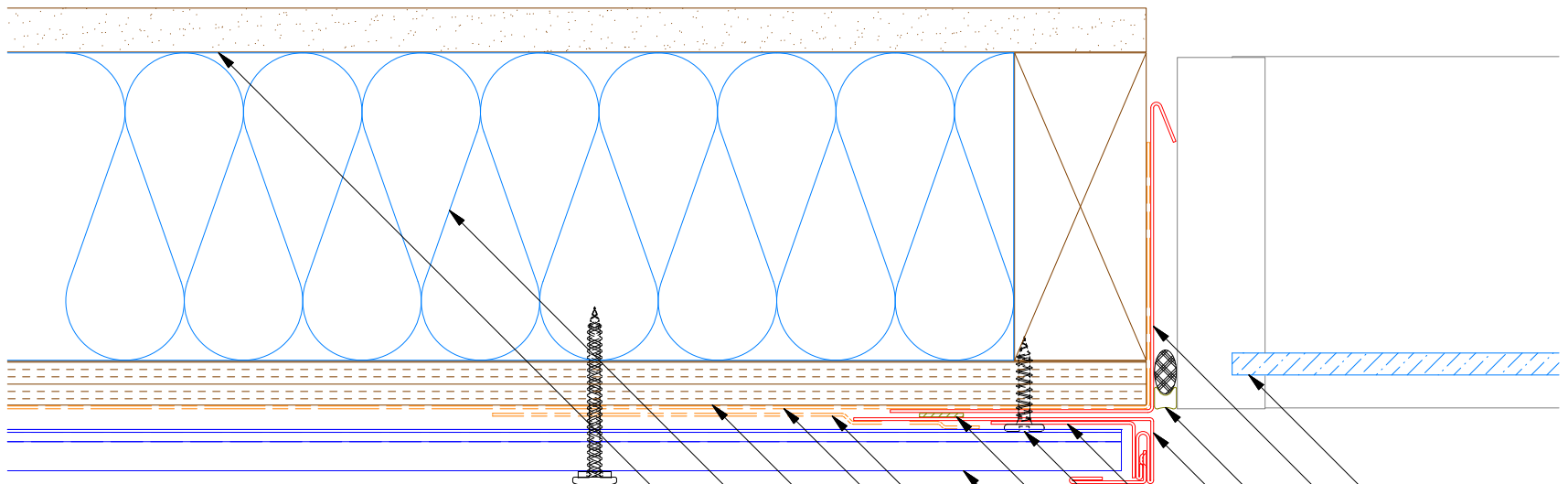
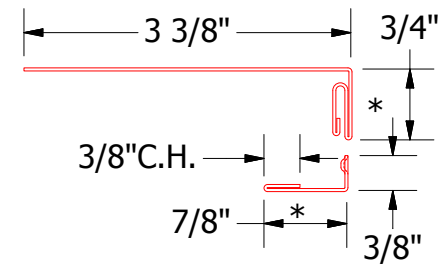


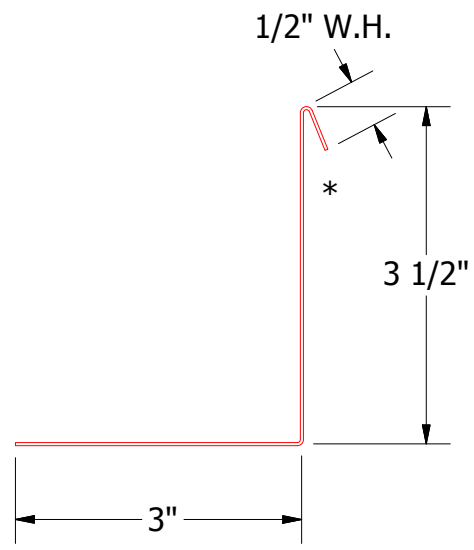
Horizontal Panel - Alternate Detail



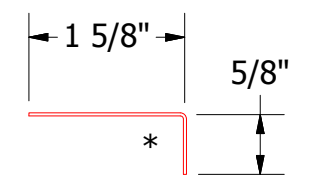
- Window
- Angle Trim with Return
- Backer Rod and Sealant
- Snap J Channel
- Angle Trim
- #10 x 1" Painted Hex Washer Head Screws with Washer
- Butyl Tape
- Grand V Panel
- Membrane Strip over Snap J Channel and Angle Trim
- Water and Air Resistive Barrier
- 1/2" Plywood (min.)
- Insulation
- Interior Finish
- #10 x 2" Painted Hex Washer Head Screw with Washer



BGA039 - Snap J Channel



BGA683 - Angle Trim with Return



BGA680 - Angle Trim

REV. NO.		DATE	DESCRIPTION OF REVISION	BY	APP	TITLE	
						Grand V Jamb Detail	
DWG. NO.		DR	DMR	DATE	6/14/2016		
		APP	DAS	DATE	8/8/16		
MATERIAL		SH. SIZE	B	SCALE	X:X		


ATAS INTERNATIONAL, INC
 Allentown PA
 610-395-8445
 Mesa AZ
 480-558-7210