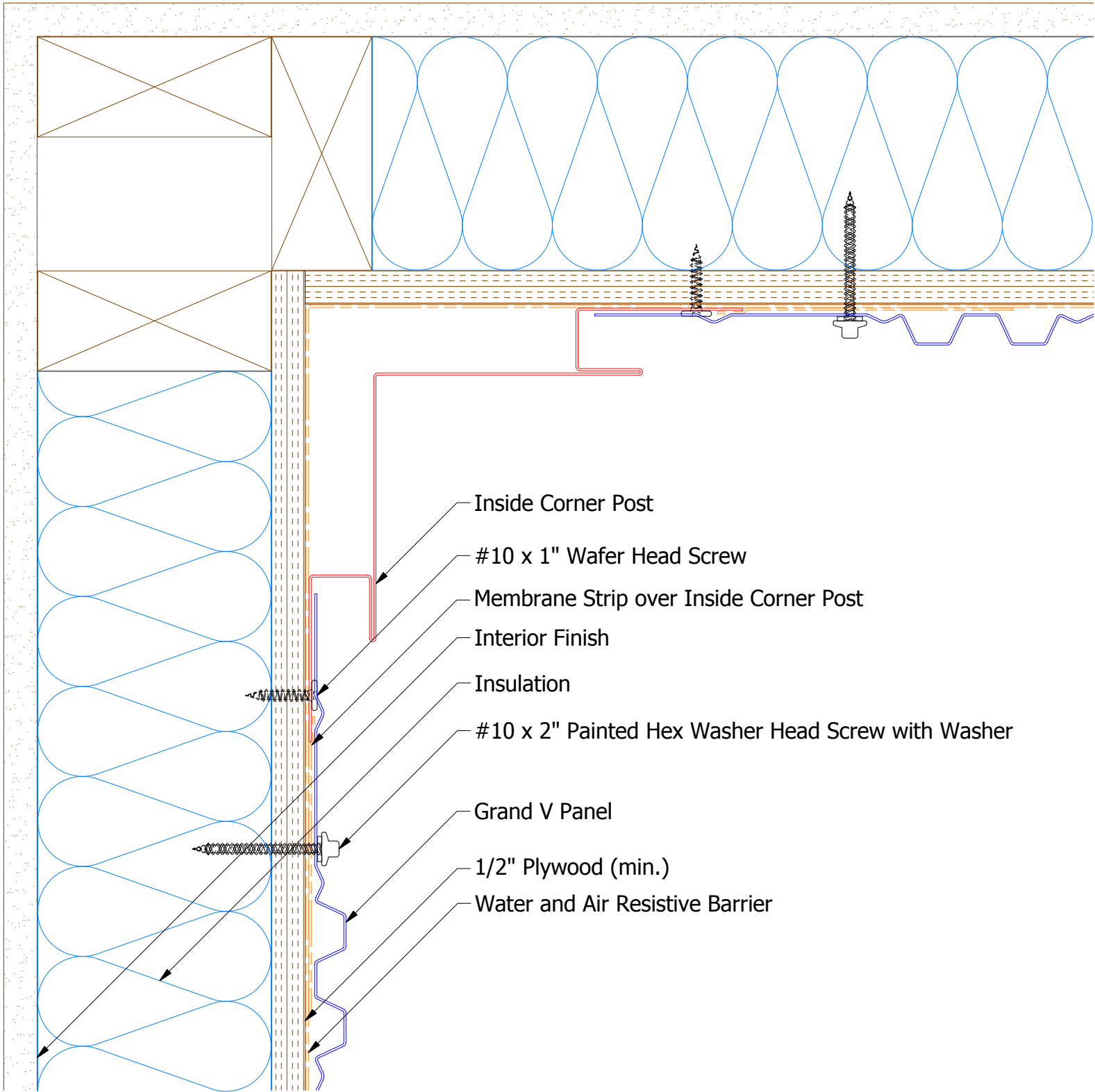
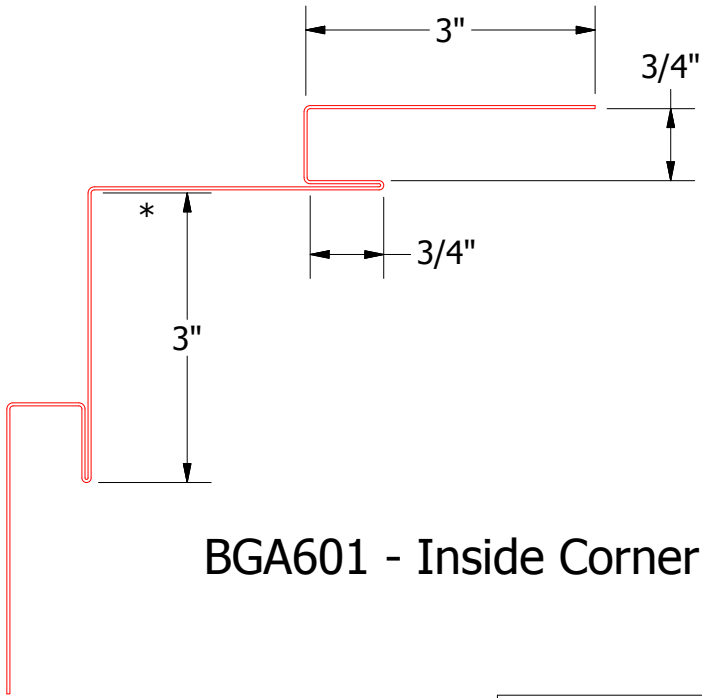
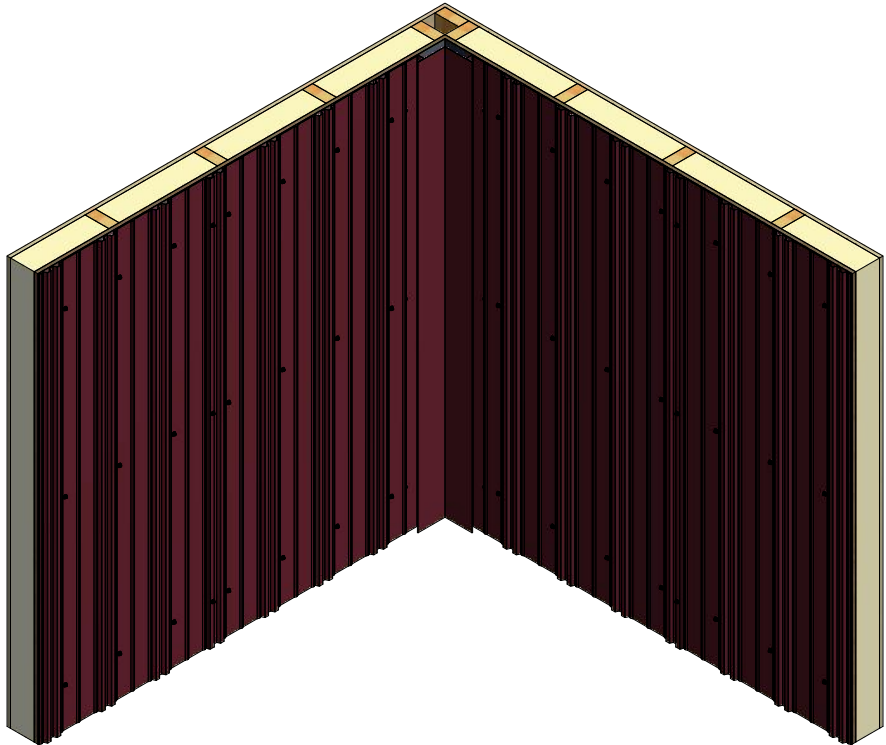


# Vertical Panel



- Inside Corner Post
- #10 x 1" Wafer Head Screw
- Membrane Strip over Inside Corner Post
- Interior Finish
- Insulation
- #10 x 2" Painted Hex Washer Head Screw with Washer
- Grand V Panel
- 1/2" Plywood (min.)
- Water and Air Resistive Barrier



**BGA601 - Inside Corner Post**


**ATAS INTERNATIONAL, INC**  
 Allentown PA  
 610-395-8445  
 Mesa AZ  
 480-558-7210

TITLE				Grand V Inside Corner Detail	
DWG. NO.		DR		DATE	
		DMR		6/14/2016	
MATERIAL		APP		DATE	
		DAS		8/8/16	
REV. NO.	DATE	DESCRIPTION OF REVISION	BY	APP	SCALE
					X:X