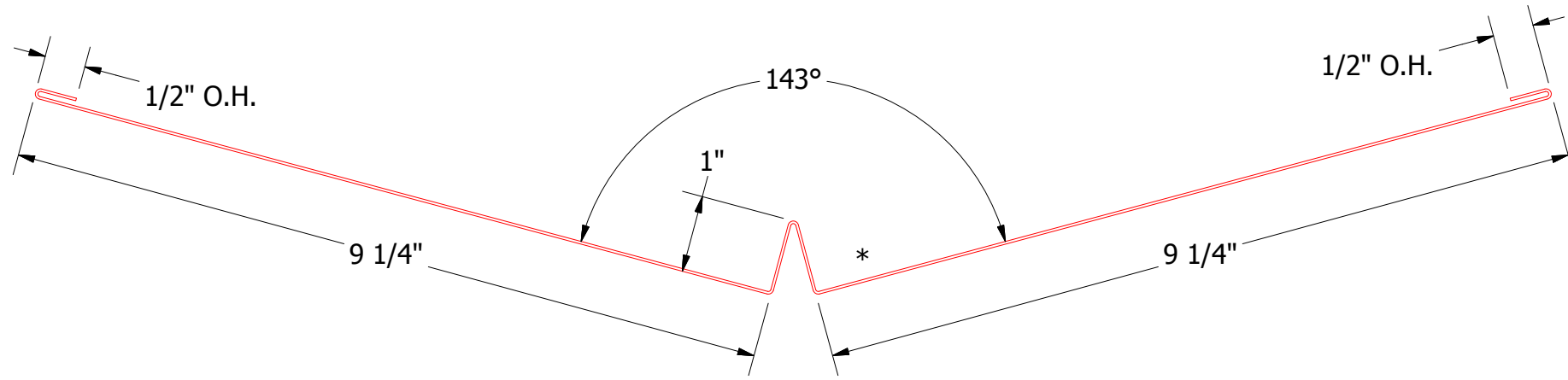
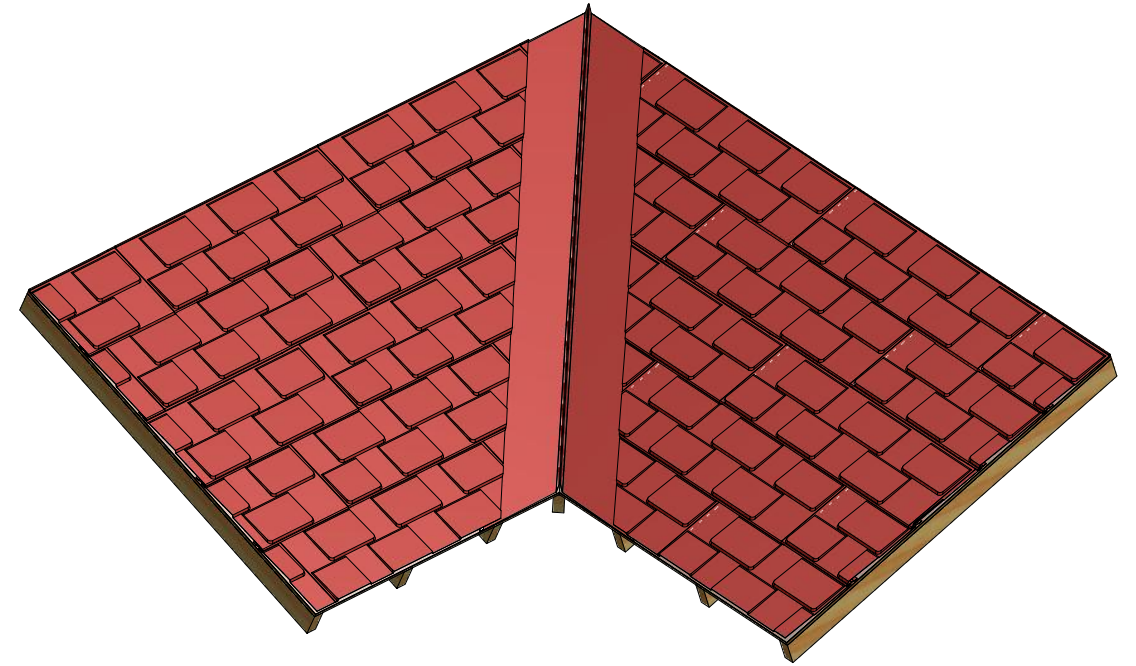
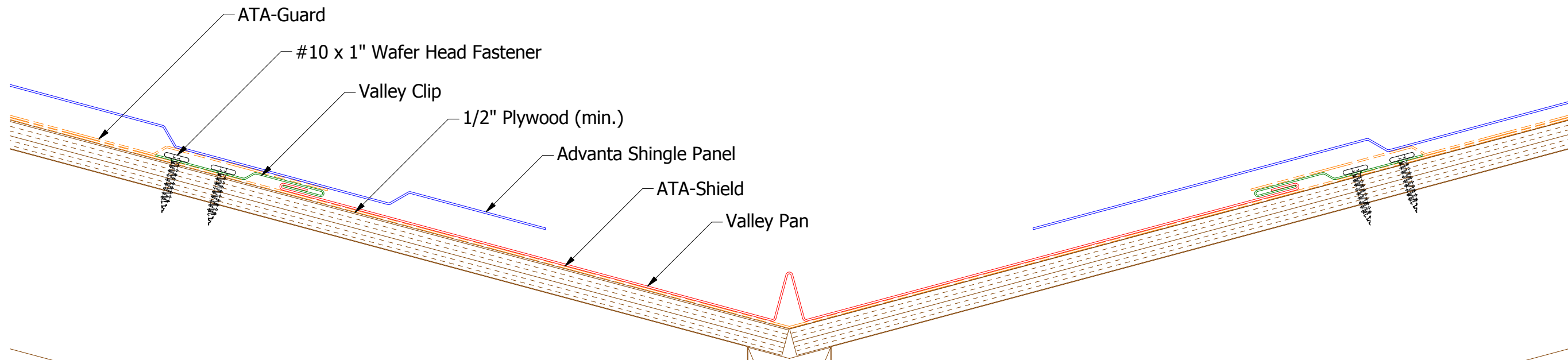


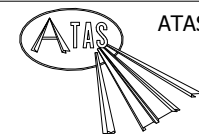
HSC904 - Valley Clip



HSA806 - Valley Pan



Note: \* denotes color side



ATAS INTERNATIONAL, INC  
 Allentown PA  
 610-395-8445  
 Mesa AZ  
 480-558-7210

TITLE Advanta Shingle Valley Detail

REV. NO.	DATE	DESCRIPTION OF REVISION	BY	APP	DR	DMR	DATE
							4/11/2018
					APP		DATE
					SH. SIZE	B	SCALE X:X