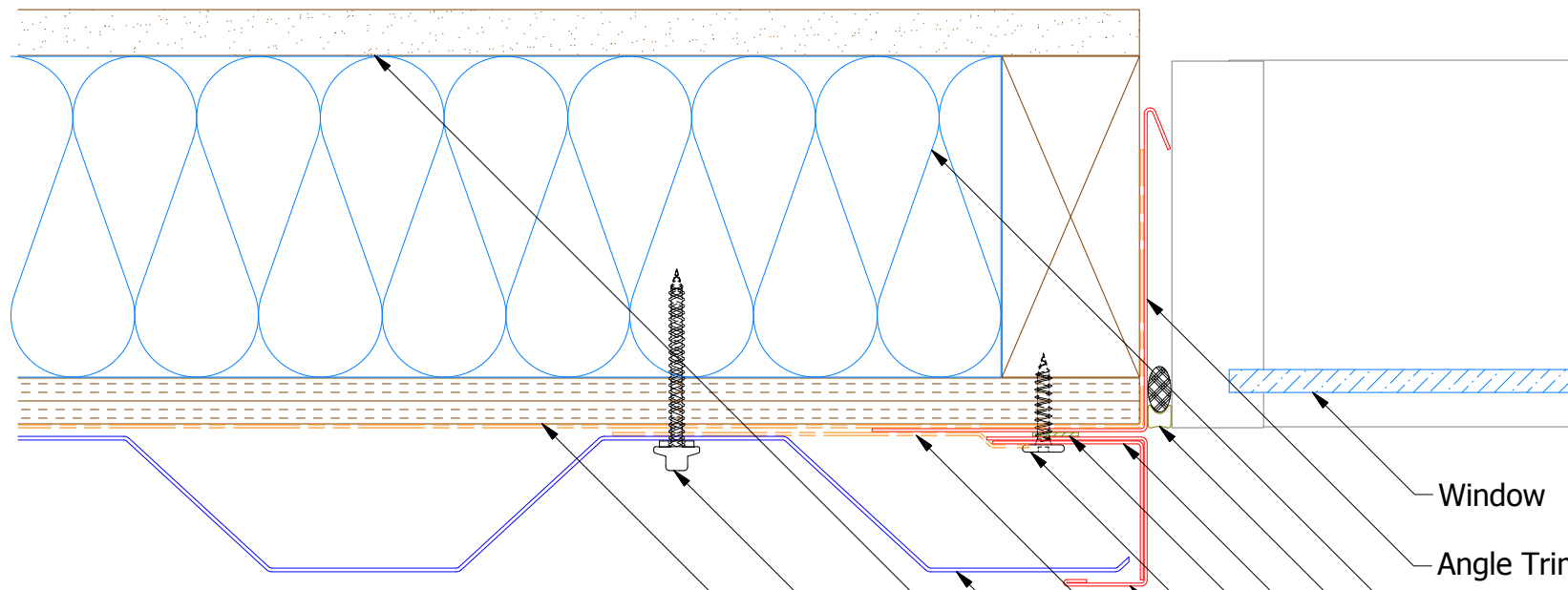
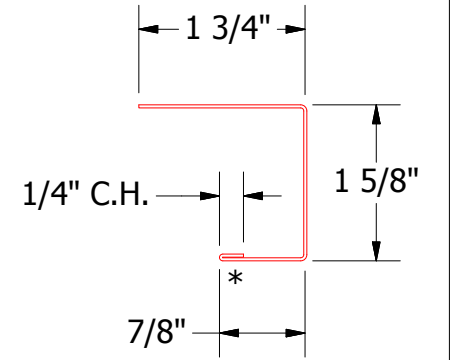
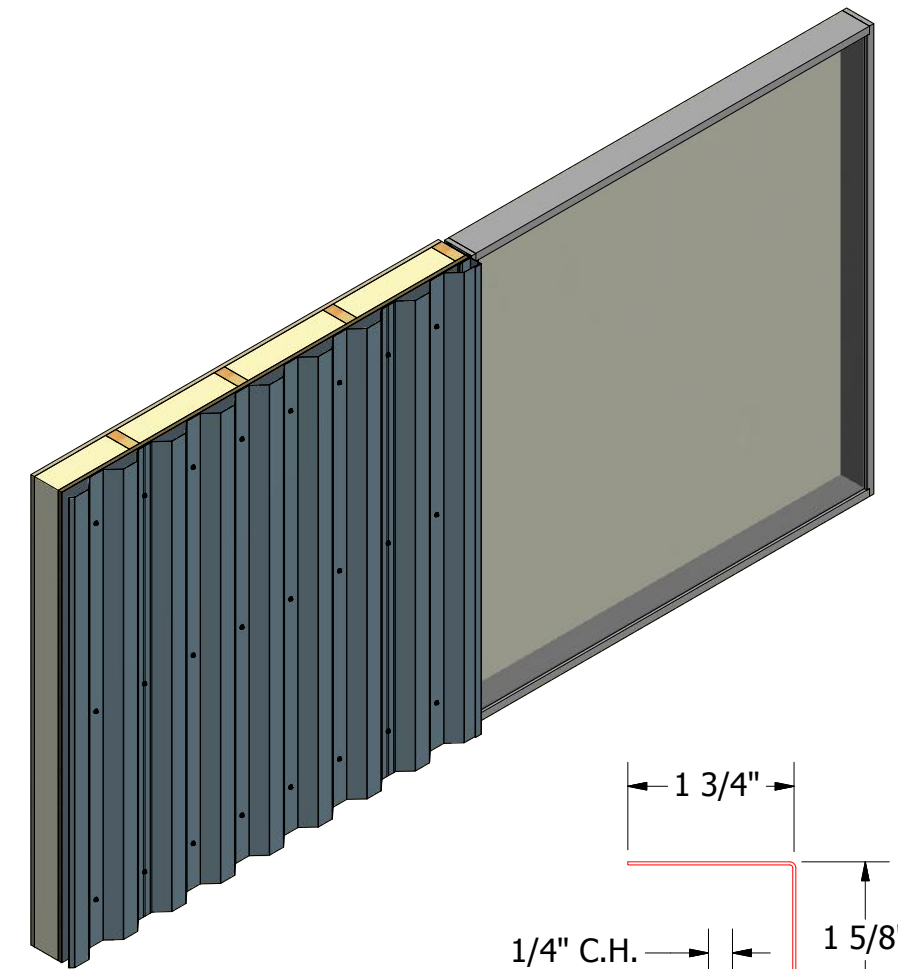


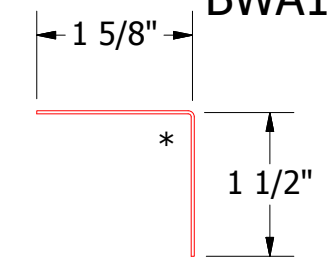
# Vertical Panel



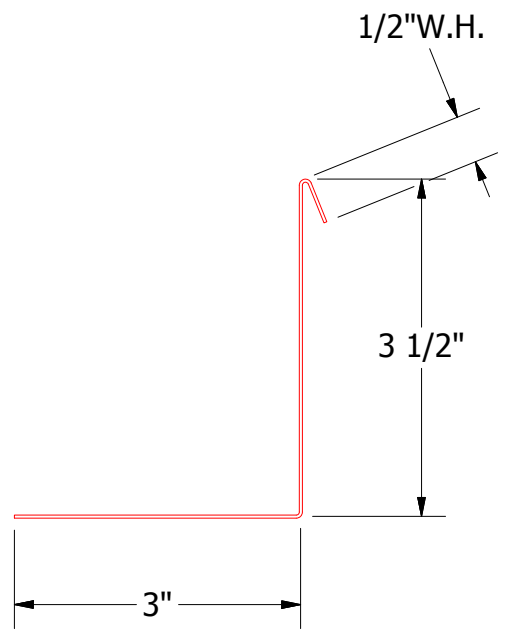
- Window
- Angle Trim with Return
- Insulation
- Backer Rod and Sealant
- Angle Trim
- Butyl Tape
- #10 x 1" Wafer Head Screw
- J Closure
- Membrane Strip over J Channel and Angle Trim
- 7.2" Rib Panel
- Interior Finish
- #10 x 2" Painted Hex Washer Head Screw with Washer
- 1/2" Plywood (min.)



**BWA158 - J Channel**



**BWA680 - Angle Trim**



**BWA683 - Angle Trim with Return**

**ATAS** ATAS INTERNATIONAL, INC  
 Allentown PA  
 610-395-8445  
 Mesa AZ  
 480-558-7210

| REV. NO. | DATE | DESCRIPTION OF REVISION | BY | APP | TITLE                    | DR       | DATE     |
|----------|------|-------------------------|----|-----|--------------------------|----------|----------|
|          |      |                         |    |     | 7.2 inch Rib Jamb Detail | KRK      | 2/1/2016 |
|          |      |                         |    |     |                          | DAS      | 7/20/16  |
|          |      |                         |    |     |                          | SH. SIZE | B        |
|          |      |                         |    |     |                          | SCALE    | X:X      |