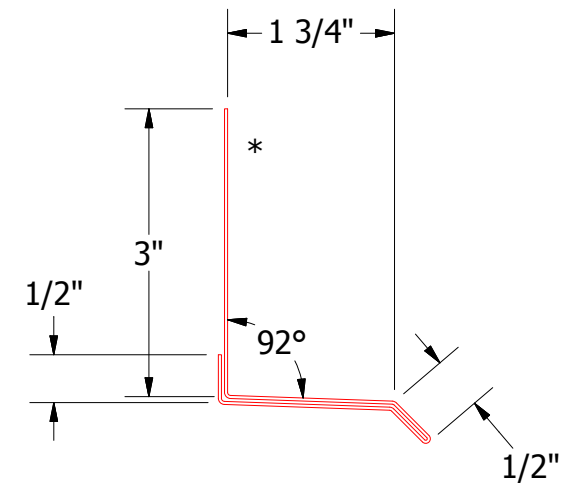
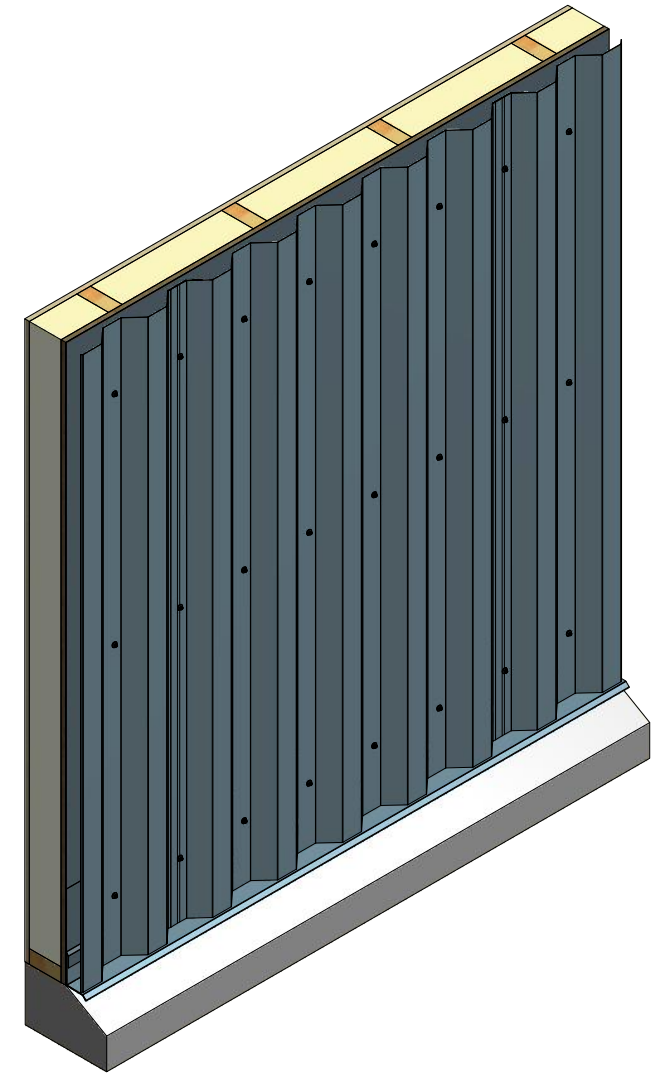
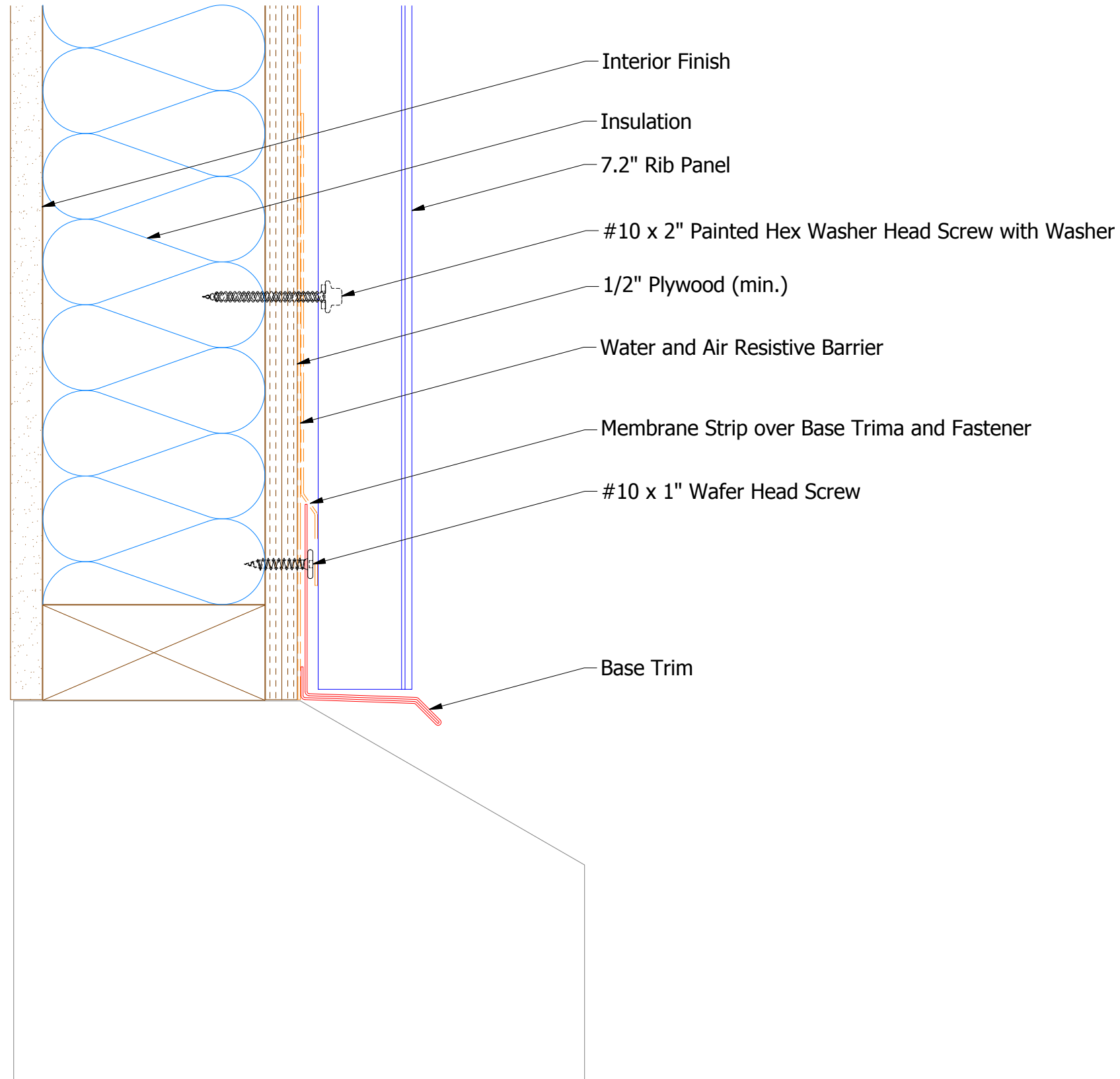
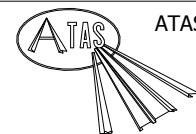


# Vertical Panel



**BWA661 - Base Trim**



**ATAS INTERNATIONAL, INC**  
 Allentown PA  
 610-395-8445  
 Mesa AZ  
 480-558-7210

**7.2 inch Rib Base Detail**

REV. NO.	DATE	DESCRIPTION OF REVISION	BY	APP	TITLE	DR	DATE
					DWG. NO.	KRK	1/29/2016
					MATERIAL	DAS	7/20/16
					SH. SIZE	B	SCALE X:X