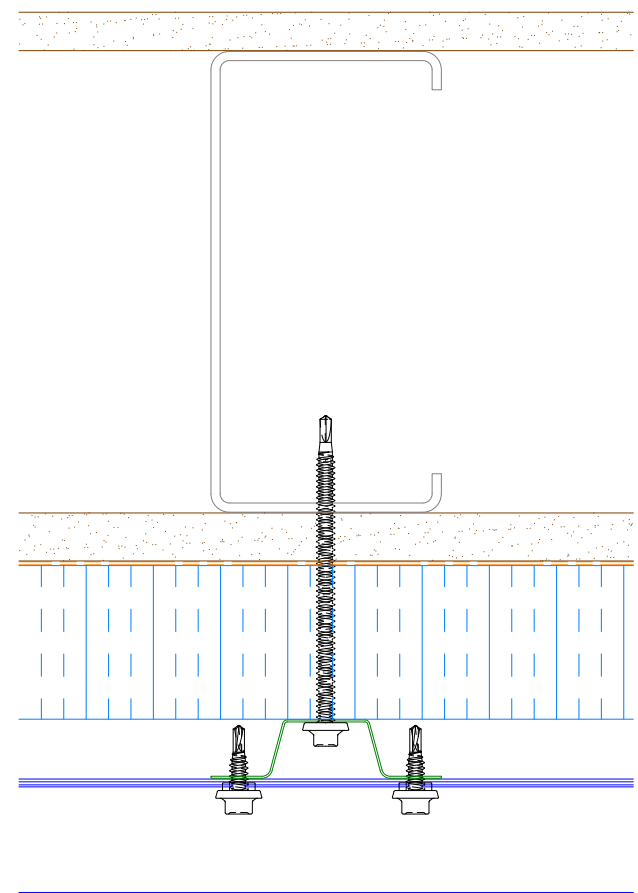
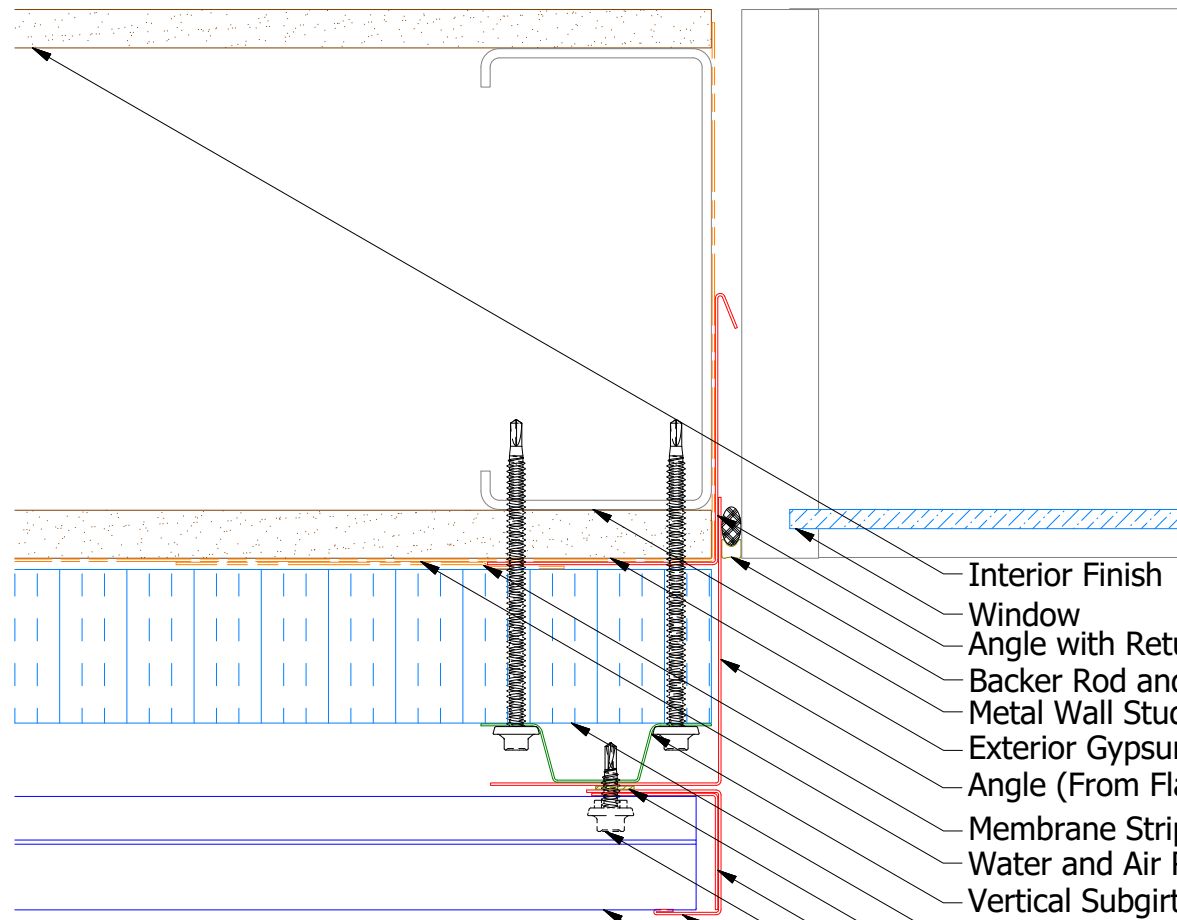
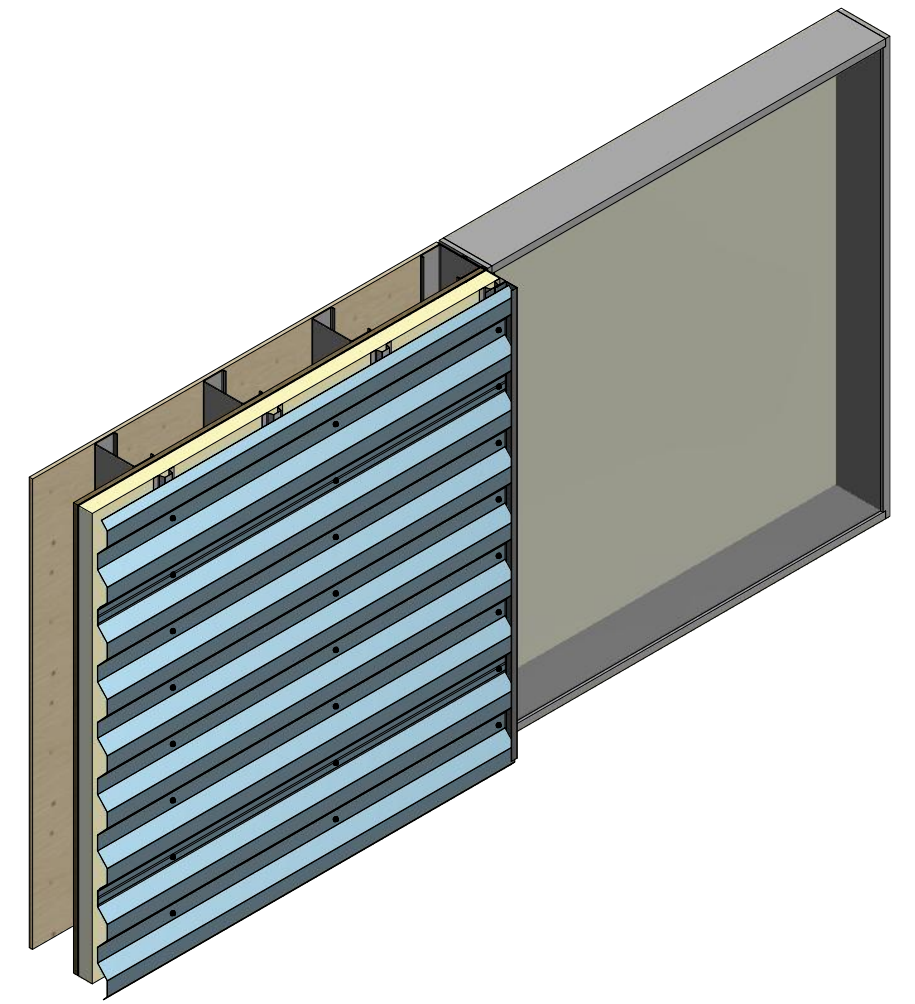


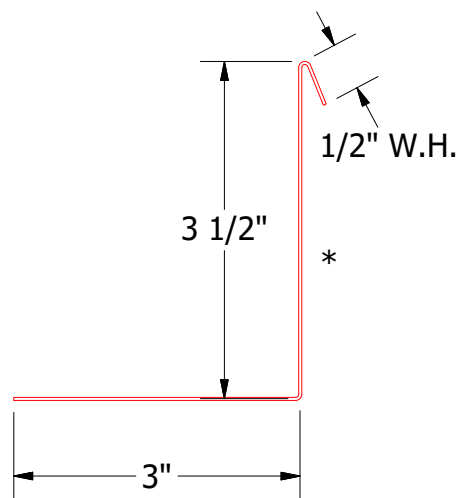
Horizontal Panel



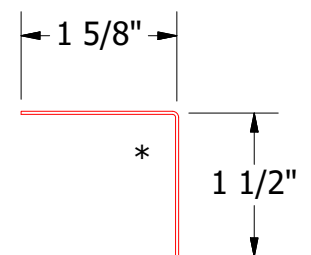
Alternative Subgirt Orientation



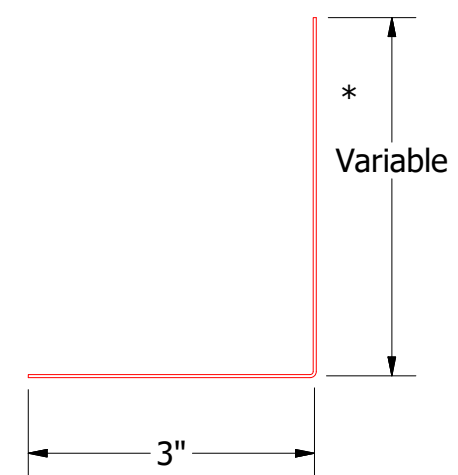
- Interior Finish
- Window
- Angle with Return
- Backer Rod and Sealant
- Metal Wall Stud
- Exterior Gypsum Board
- Angle (From Flatstock)
- Membrane Strip over J Channel and Angle Trim
- Water and Air Resistive Barrier
- Vertical Subgirt
- Water Resistant Insulation
- Butyl Tape
- Angle Trim
- #14 x 7/8" Painted Hex Washer Head Fastener with Washer
- J Channel
- 7.2" Rib Panel



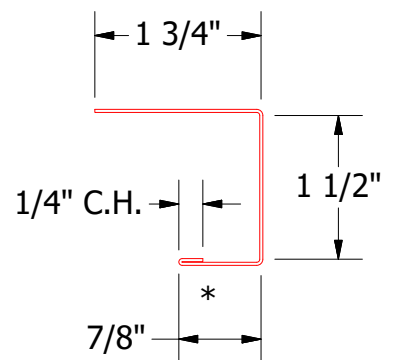
BWA683-Angle with Return



BWA680-Angle Trim



Angle



BWA158-J Channel

Note: * denotes color side.

REV. NO.	DATE	DESCRIPTION OF REVISION	BY	APP

TITLE		7.2" Rib Open Jamb Detail		
DWG. NO.	DR	DMR	DATE	8/15/2016
MATERIAL	APP	DATE		
SH. SIZE	B	SCALE	X:X	

ATAS ATAS INTERNATIONAL, INC
 Allentown PA
 610-395-8445
 Mesa AZ
 480-558-7210