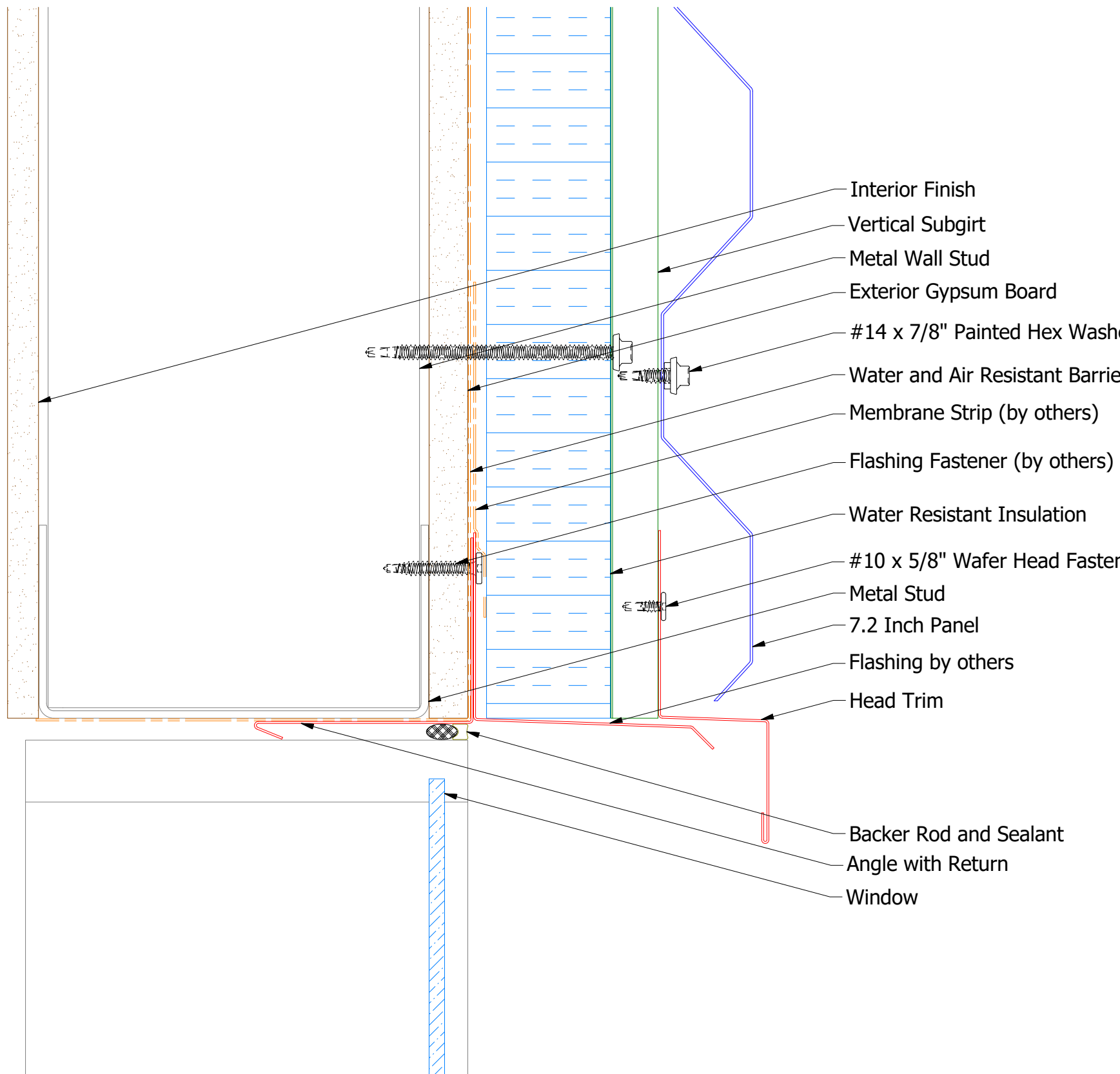
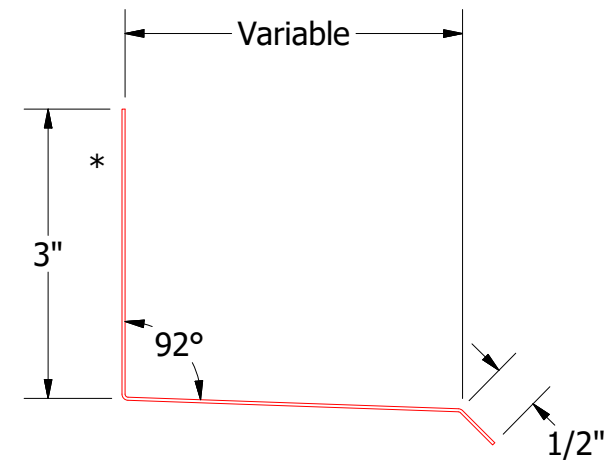


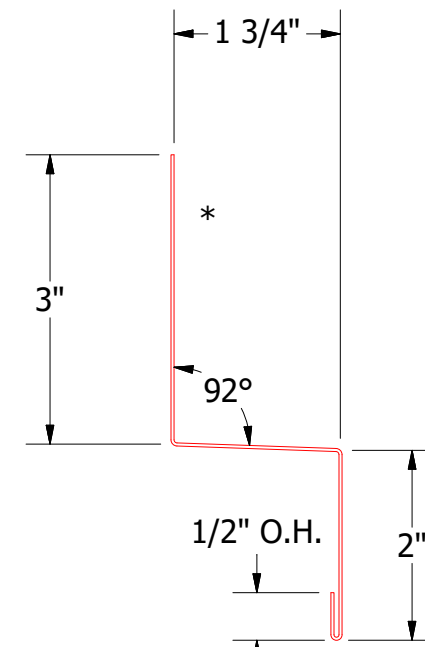
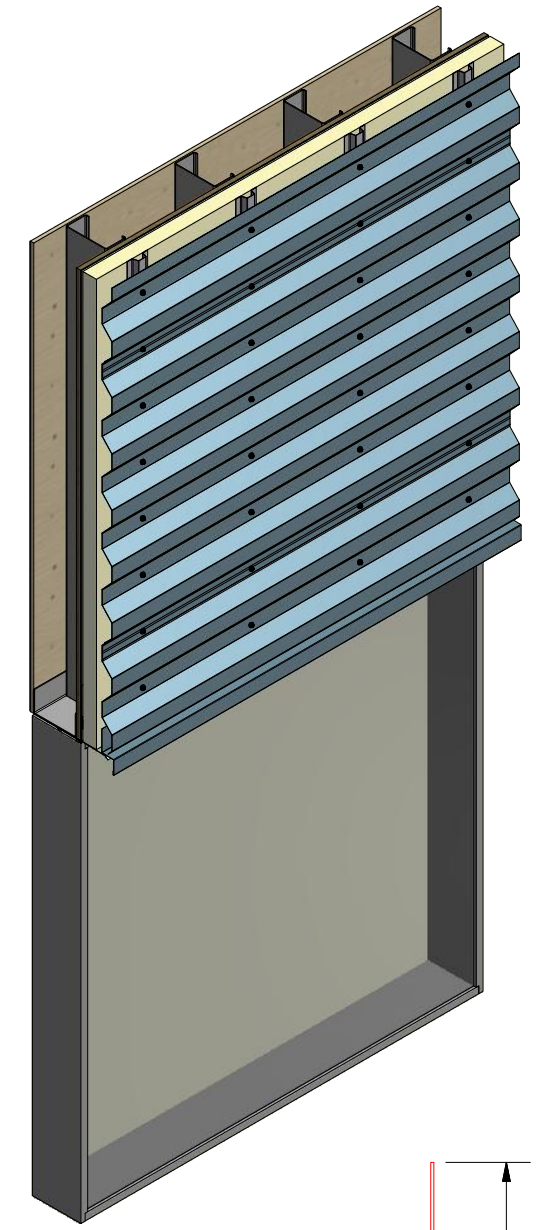
# Horizontal Panel



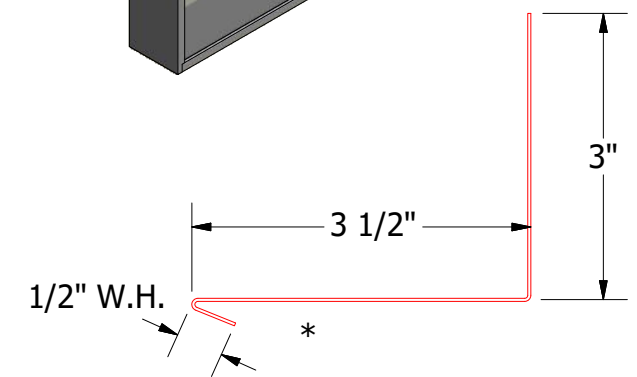
- Interior Finish
- Vertical Subgirt
- Metal Wall Stud
- Exterior Gypsum Board
- #14 x 7/8" Painted Hex Washer Head Fastener with Washer
- Water and Air Resistant Barrier
- Membrane Strip (by others)
- Flashing Fastener (by others)
- Water Resistant Insulation
- #10 x 5/8" Wafer Head Fastener
- Metal Stud
- 7.2 Inch Panel
- Flashing by others
- Head Trim
- Backer Rod and Sealant
- Angle with Return
- Window



**Flashing**  
(Field Fabricated from Color Matched Flat Stock)



**BWA550-Head Trim**



**BWA683-Angle Trim with Return**  
(Field Fabricated from Color Matched Flat Stock)

**ATAS** INTERNATIONAL, INC  
Allentown PA  
610-395-8445  
Mesa AZ  
480-558-7210

TITLE **7.2" Rib Open Head Detail**

REV. NO.	DATE	DESCRIPTION OF REVISION	BY	APP	DWG. NO.	DR	DATE
						DMR	8/26/2016
					MATERIAL	APP	DATE
					SH. SIZE	B	SCALE
							X:X