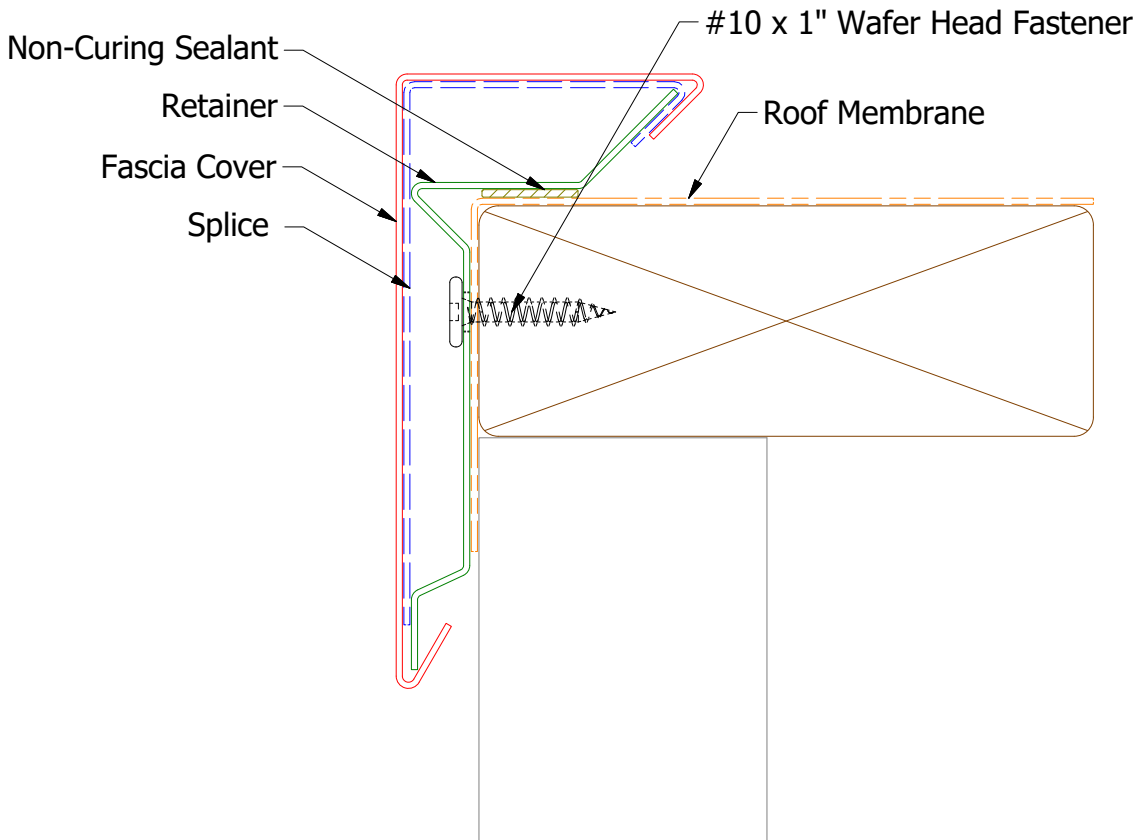
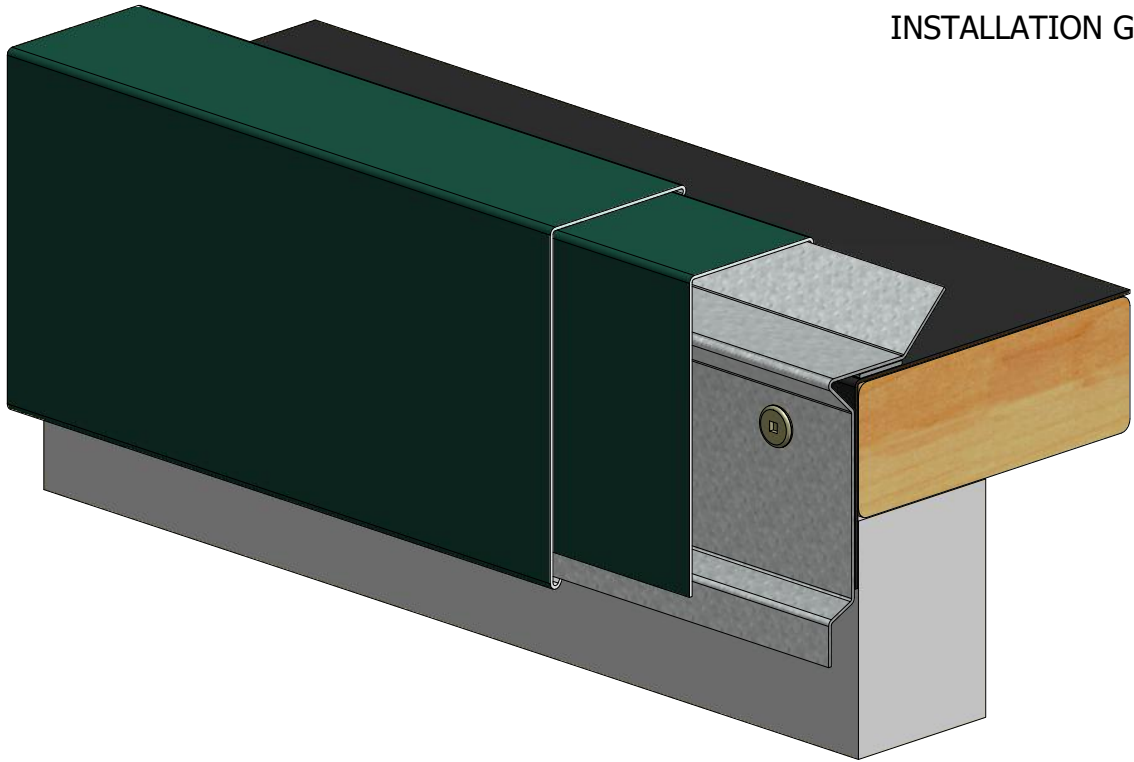
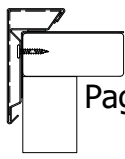


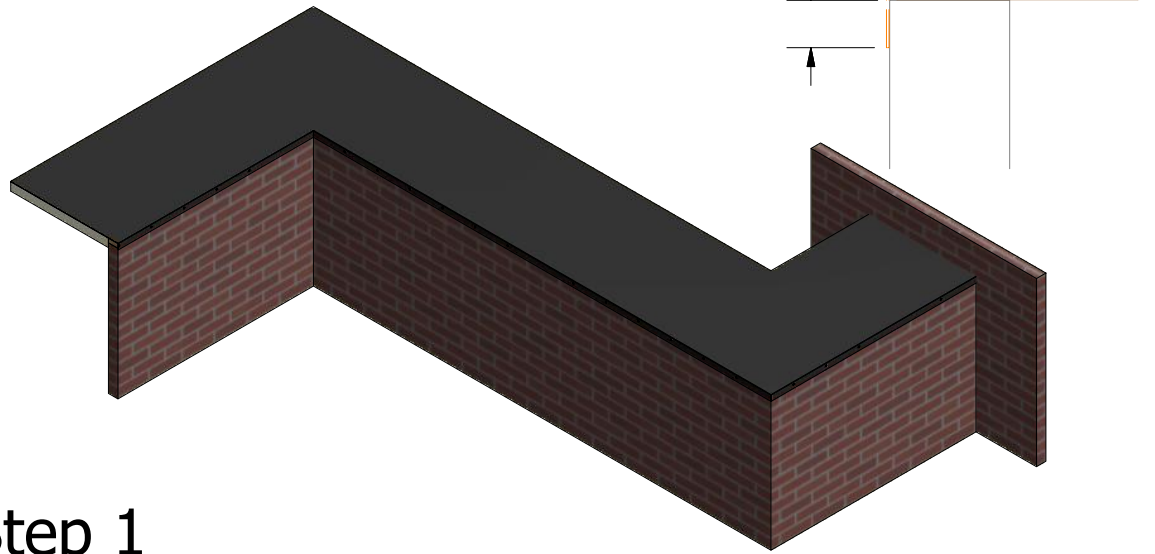


RAPID-LOK FASCIA INSTALLATION GUIDE



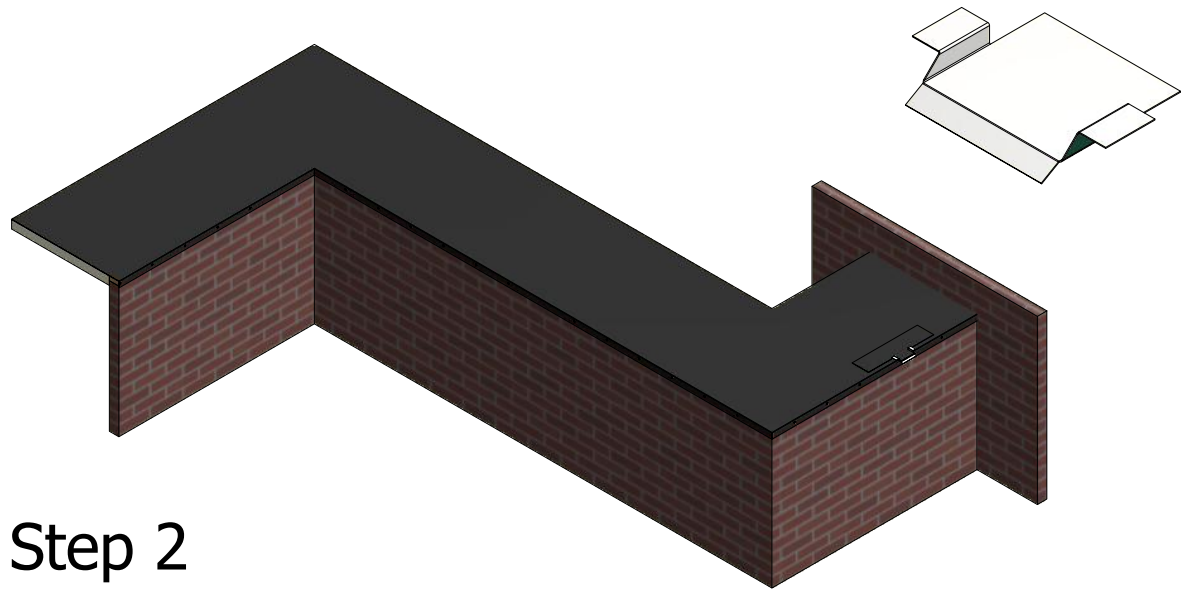


Wood blocking must be flush with the face of the wall below. Roof membrane must cover the wood extending 3/4" below the bottom of the blocking.



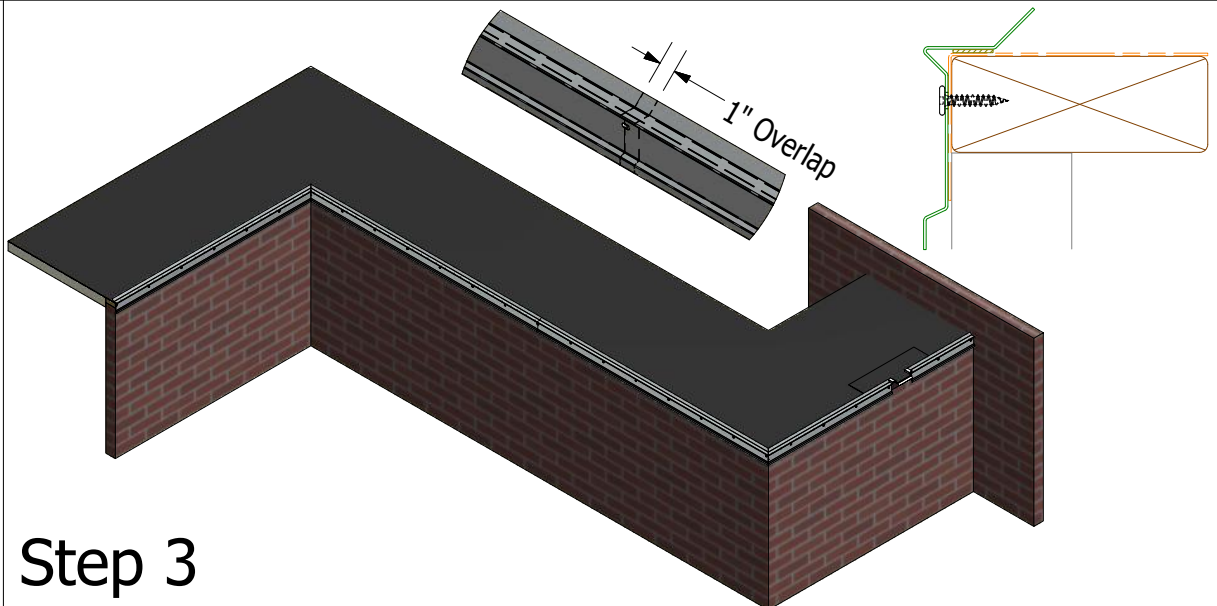
Step 1

Locate and install any scupper spillouts or sump cores, and flash in per membrane manufacturers specifications.



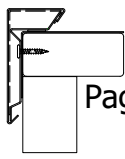
Step 2

Miter retainer at ends as required for corners. Install a heavy continuous bead of non-curing sealant (membrane manufacturer's recommended product) on the bottom side of the retainer flange. Set the retainer on the roof edge over the membrane at the corner, and secure to substrate with provided screws through each pre-punched slot. At corners butt and seal mitered ends of retainer.

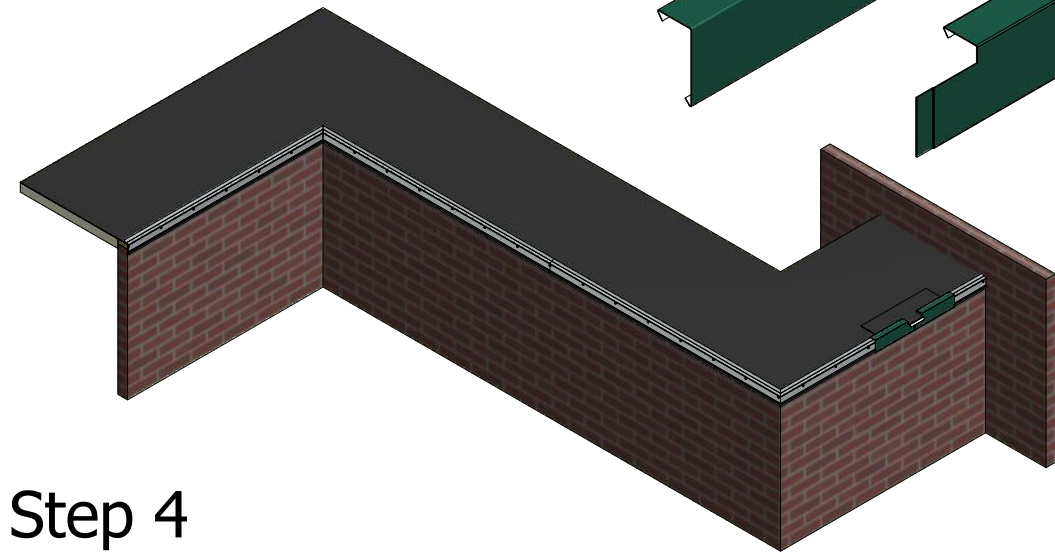


Step 3

Continue installing retainer with sealant, lapping 1" over previously installed retainer and securing with provided screws. Cut retainer sections as needed to fit.

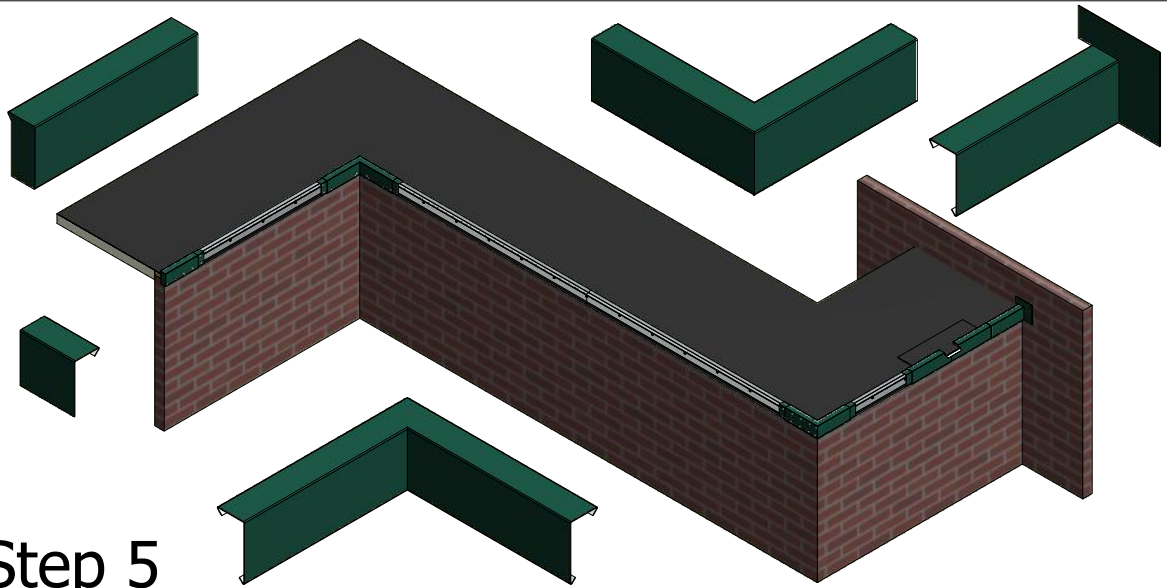


Locate notched covers for scuppers (if applicable) and position a splice in each side of the cover opposite the notch. Hook the top flange of the covers over the top flange of the retainer on either side of the scupper rotating the cover towards the outside of the building. Press down on the top of the cover to snap the bottom hook onto the bottom of the retainer. Make sure the cover is fully engaged on the retainer (see page 4) then slide the notched portion under the scupper.



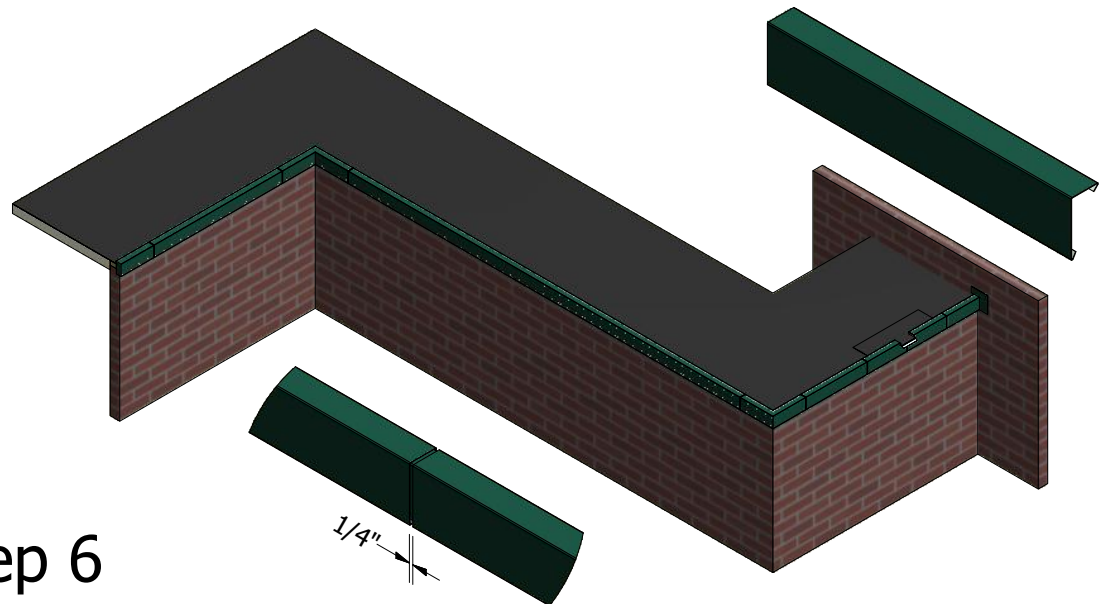
Step 4

Locate covers for miters end closures, and end terms, for appropriate locations and position a splice in the end. Install covers by hooking at top and pressing down to snap into place (see page 4).

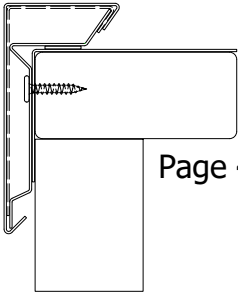


Step 5

12'-0" cover sections are then installed between corners, ends and scuppers cutting to length as needed (plan cover layout to be balanced and to avoid creating short sections). Position a splice in the end of the cover opposite the installed piece, hook the top flange over the top flange of the retainer rotating the cover towards the outside of the building. Press down on the top of the cover to snap the bottom hook onto the bottom of the retainer. Make sure the cover is fully engaged on the retainer. **Allow a 1/4" gap between fascia sections for thermal expansion.**

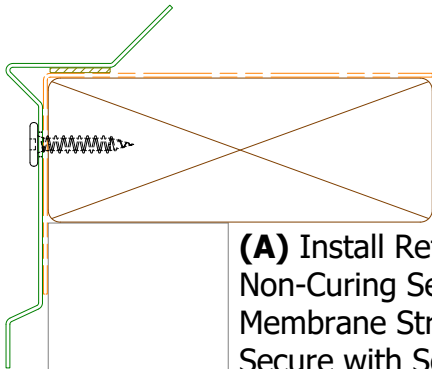


Step 6

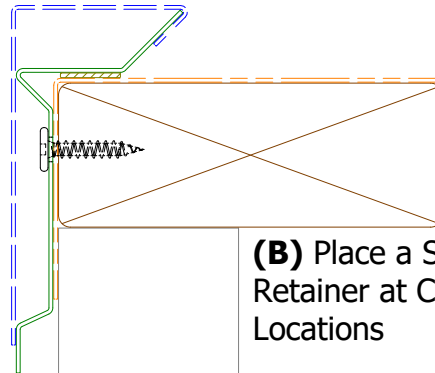


For more information go to: www.atas.com

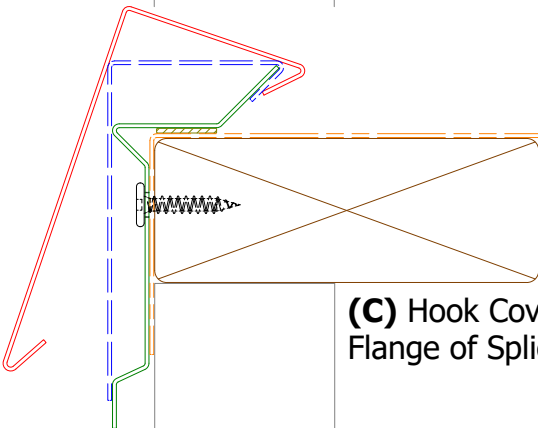
RAPID-LOK FASCIA
ADDITIONAL DETAILS



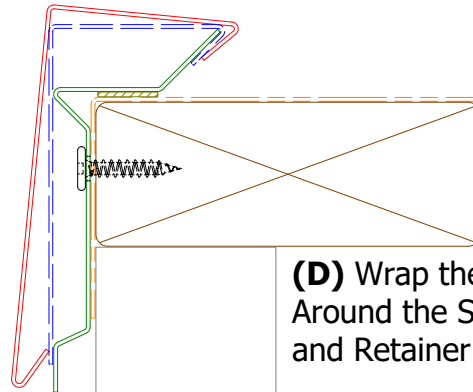
(A) Install Retainer with Non-Curing Sealant over Membrane Strip and Substrate, Secure with Screws at 12" O.C.



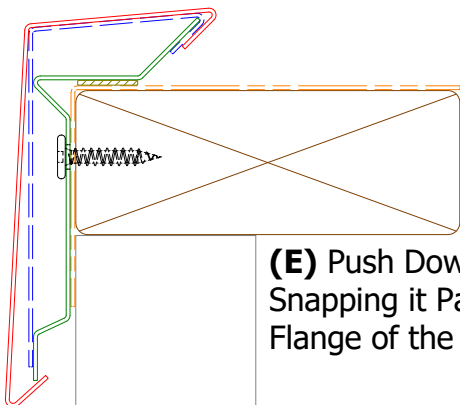
(B) Place a Splice over Retainer at Cover Joint Locations



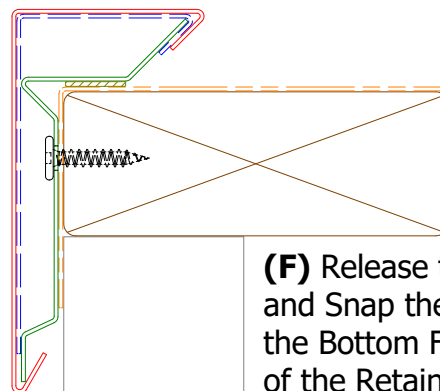
(C) Hook Cover over Top Flange of Splice and Retainer



(D) Wrap the Cover Around the Splice and Retainer



(E) Push Down on the Cover Snapping it Past the Bottom Flange of the Retainer



(F) Release the Cover and Snap the Hook over the Bottom Flange of the Retainer