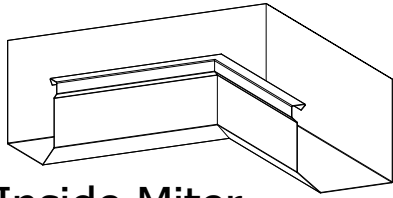


ATAS International, Inc.

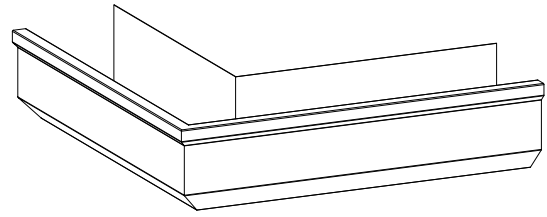
Sustainable Building Envelope Technology

COMMERCIAL GUTTER

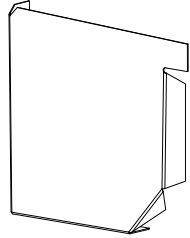
ACCESSORY SUMMARY SHEET



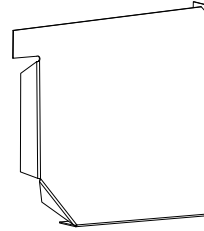
Inside Miter



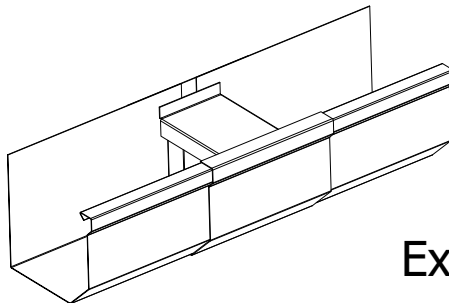
Outside Miter



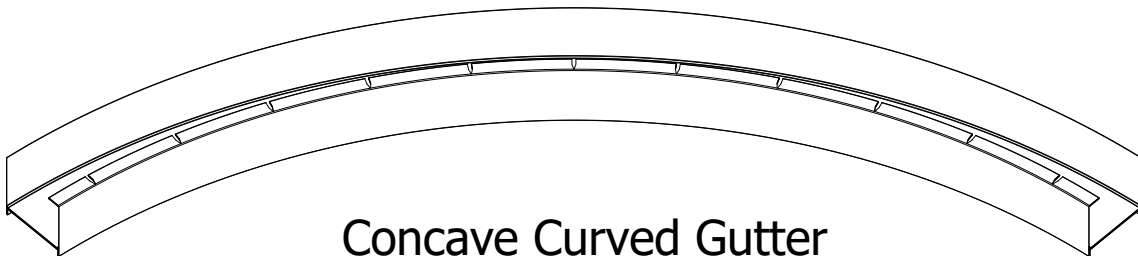
Left End Cap



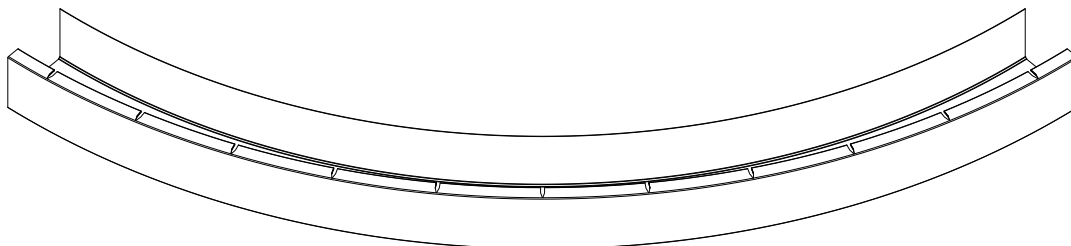
Right End Cap



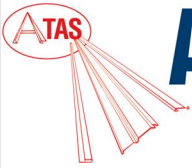
Expansion Joint



Concave Curved Gutter



Convex Curved Gutter



Accessory Type

- Pre-Finished, Fabricated and Sealed
- Welded and Post-Finished *050 & 063 Alum only

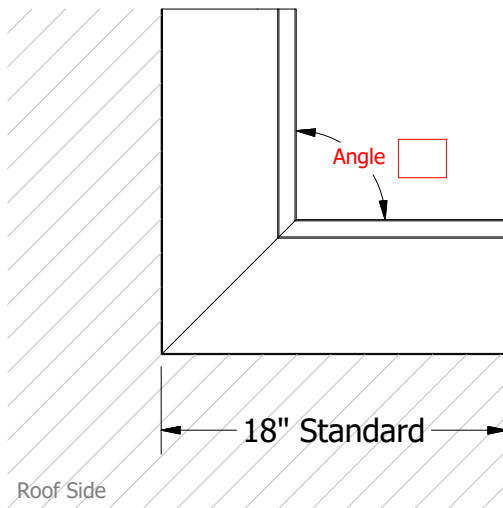
Materials:

- 24 Ga Steel
- 22 Ga Steel
- 0.040 Aluminum
- 0.050 Aluminum
- 0.063 Aluminum
- Other: _____
- Color: _____
- Finish: _____

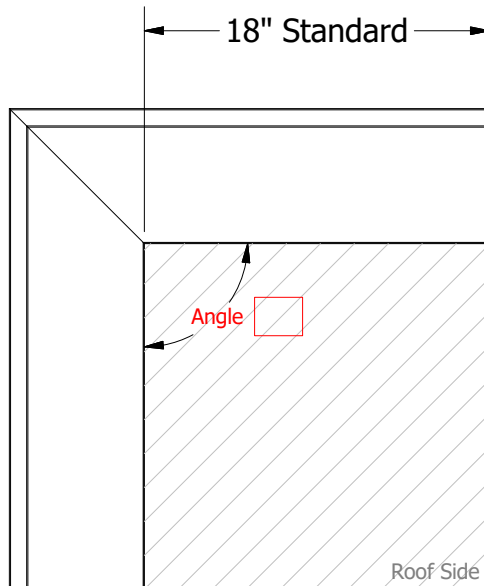
Additional Notes:

Front Face Dimension: _____
 Bottom Face Dimension: _____
 Back Face Dimension: _____
 *see commercial gutter spec sheet for more info

Inside Miter QTY: _____

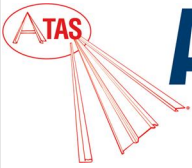


Outside Miter QTY: _____



Additional Notes:

Front Face Dimension: _____
 Bottom Face Dimension: _____
 Back Face Dimension: _____
 *see commercial gutter spec sheet for more info



ATAS International, Inc.

Sustainable Building Envelope Technology

COMMERCIAL GUTTER

LEFT/RIGHT END CAPS
ACCESSORY SHEET

Accessory Type

- Pre-Finished, Fabricated and Sealed

Materials:

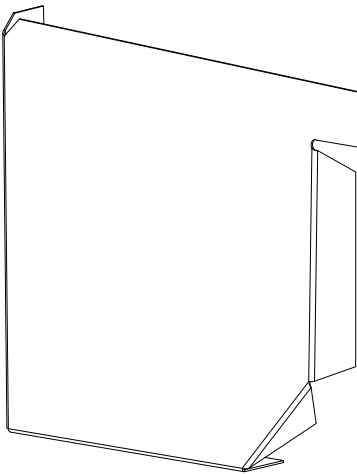
- 24 Ga Steel
- 22 Ga Steel
- 0.040 Aluminum
- 0.050 Aluminum
- 0.063 Aluminum
- Other: _____
- Color: _____
- Finish: _____

Additional Notes:

Front Face Dimension: _____
Bottom Face Dimension: _____
Back Face Dimension: _____
**see commercial gutter spec sheet for more info*

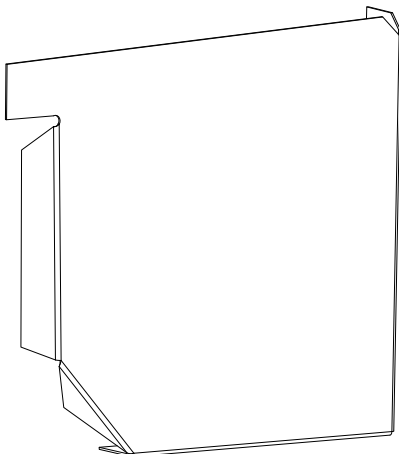
Left End Cap

QTY: _____



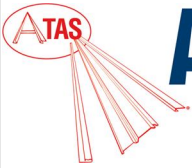
Right End Cap

QTY: _____



Additional Notes:

Front Face Dimension: _____
Bottom Face Dimension: _____
Back Face Dimension: _____
**see commercial gutter spec sheet for more info*



ATAS International, Inc.

Sustainable Building Envelope Technology

COMMERCIAL GUTTER EXPANSION JOINT ACCESSORY SHEET

Additional Notes:

Front Face Dimension: _____
 Bottom Face Dimension: _____
 Back Face Dimension: _____
 *see commercial gutter spec sheet for more info

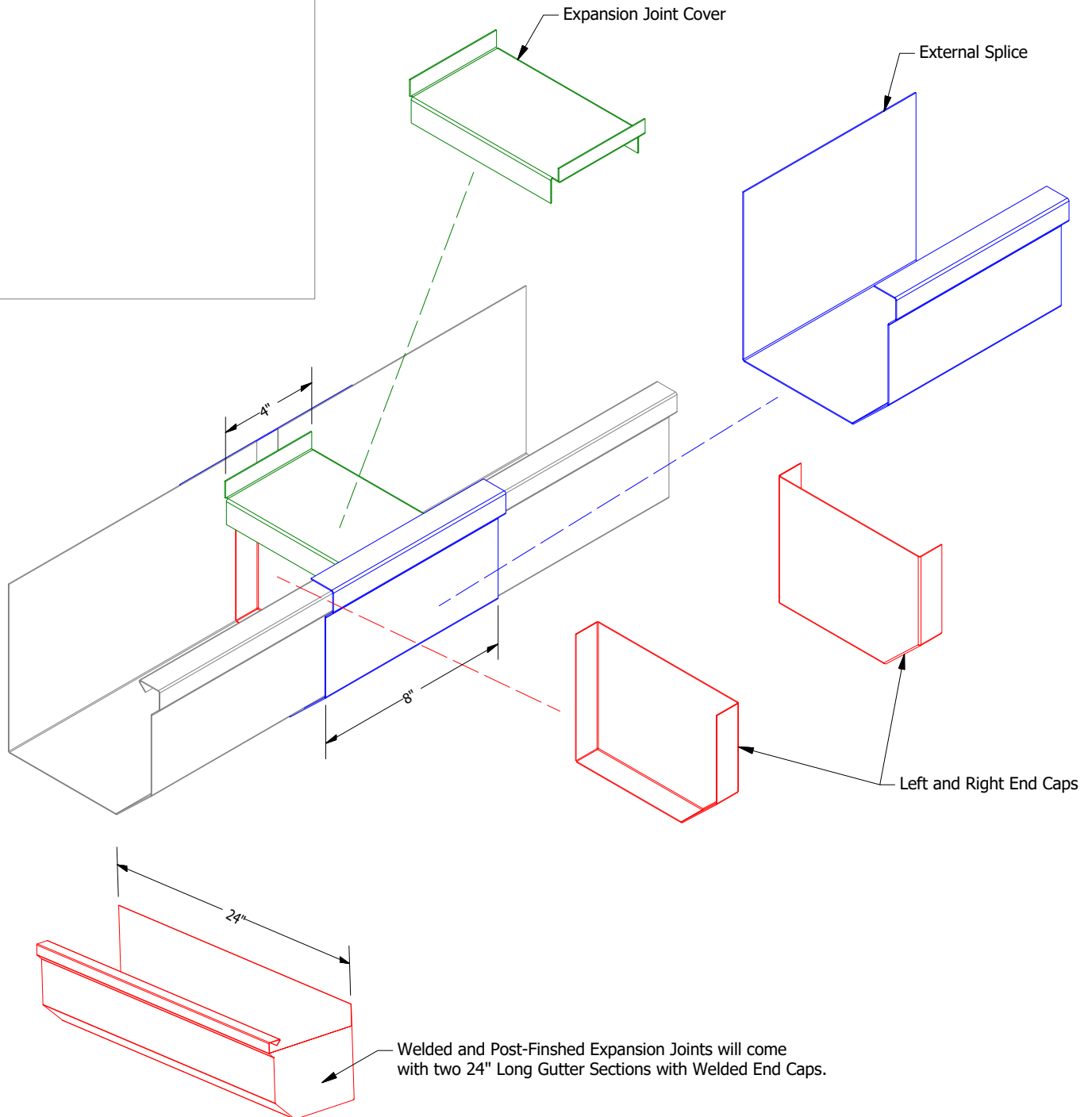
Accessory Type

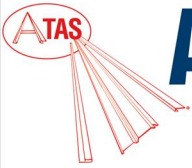
- Pre-Finished, Fabricated and Sealed
- Welded and Post-Finished *050 & 063 Alum only

Materials:

- 24 Ga Steel
- 22 Ga Steel
- 0.040 Aluminum
- 0.050 Aluminum
- 0.063 Aluminum
- Other: _____
- Color: _____
- Finish: _____

QTY: _____





Accessory Type

- Pre-Finished, Fabricated and Sealed
- Welded and Post-Finished *050 & 063 Alum only

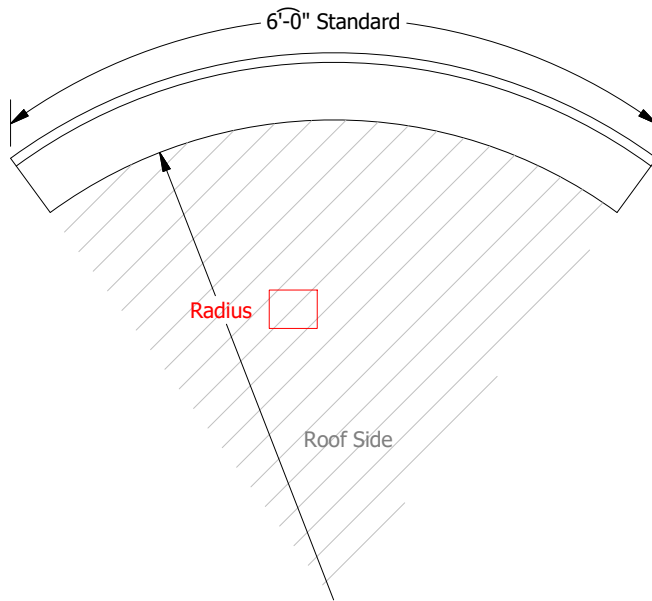
Materials:

- 24 Ga Steel
- 22 Ga Steel
- 0.040 Aluminum
- 0.050 Aluminum
- 0.063 Aluminum
- Other: _____
- Color: _____
- Finish: _____

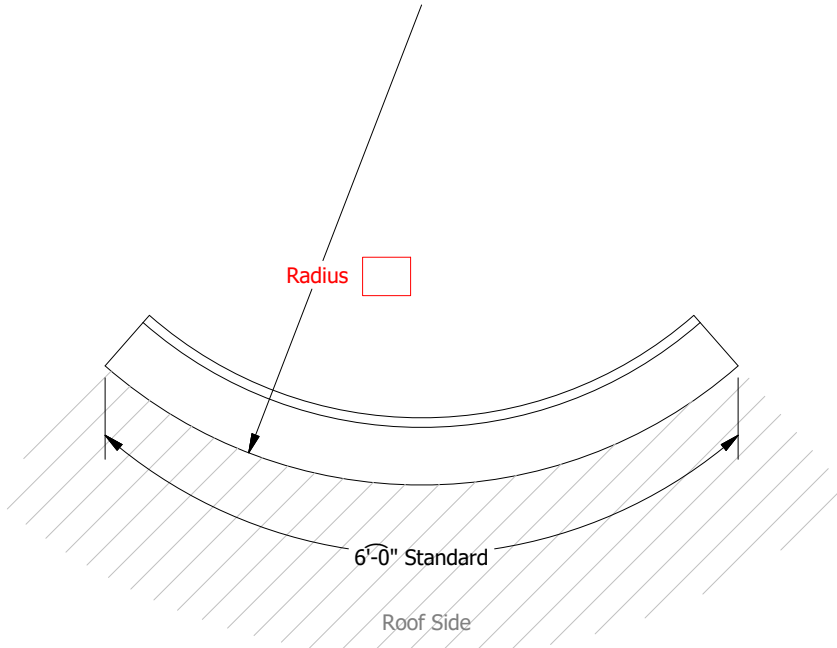
Additional Notes:

Front Face Dimension: _____
 Bottom Face Dimension: _____
 Back Face Dimension: _____
 *see commercial gutter spec sheet for more info

Convex Radius QTY: _____



Concave Radius QTY: _____



Additional Notes:

Front Face Dimension: _____
 Bottom Face Dimension: _____
 Back Face Dimension: _____
 *see commercial gutter spec sheet for more info