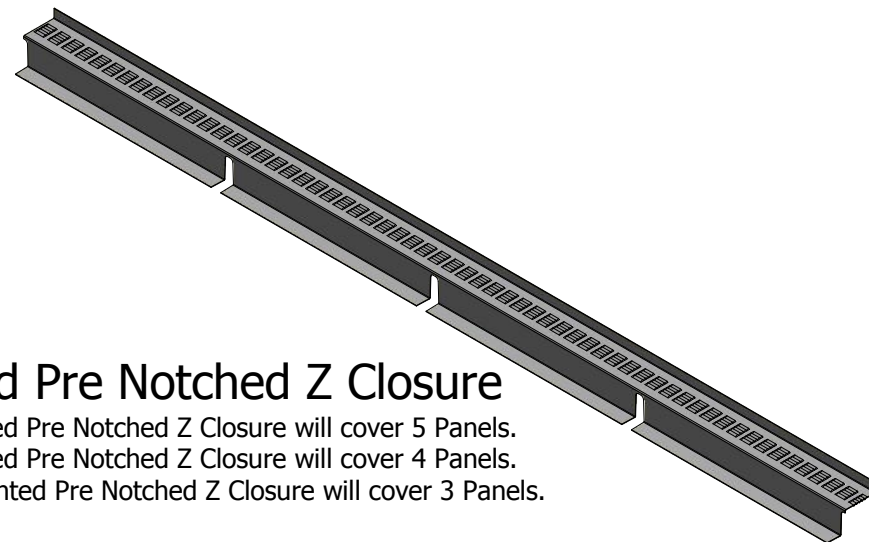
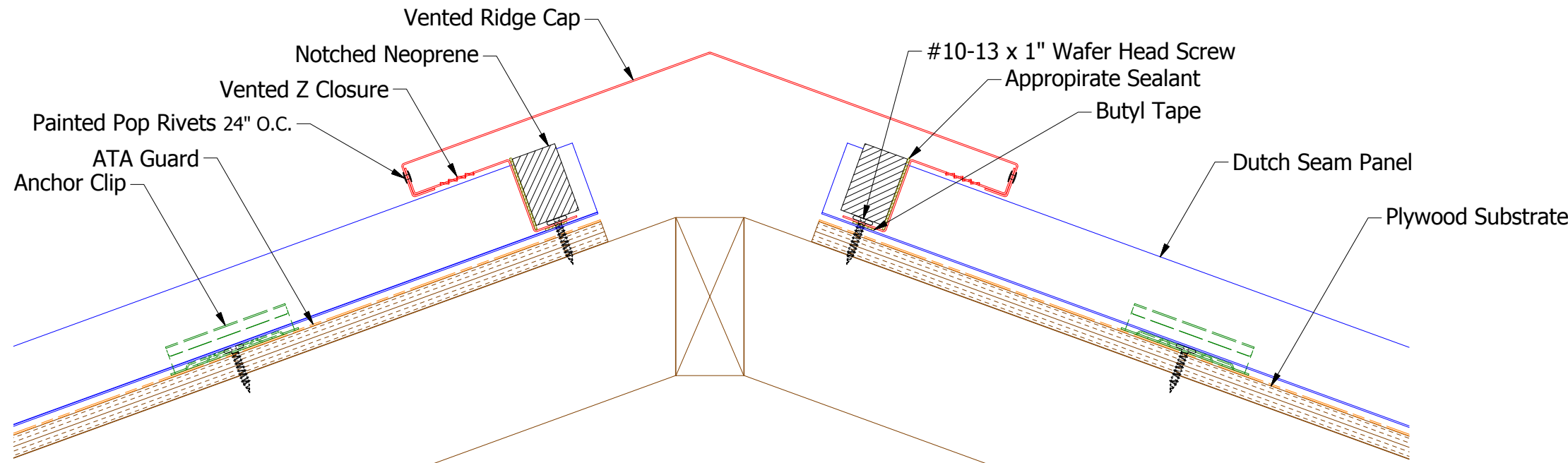


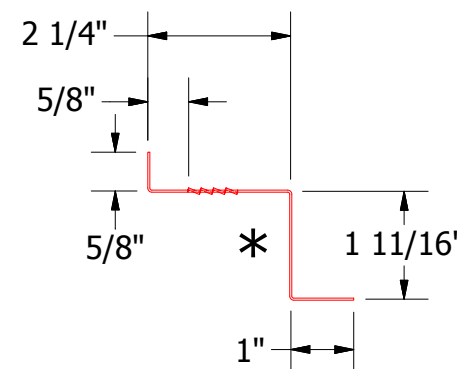
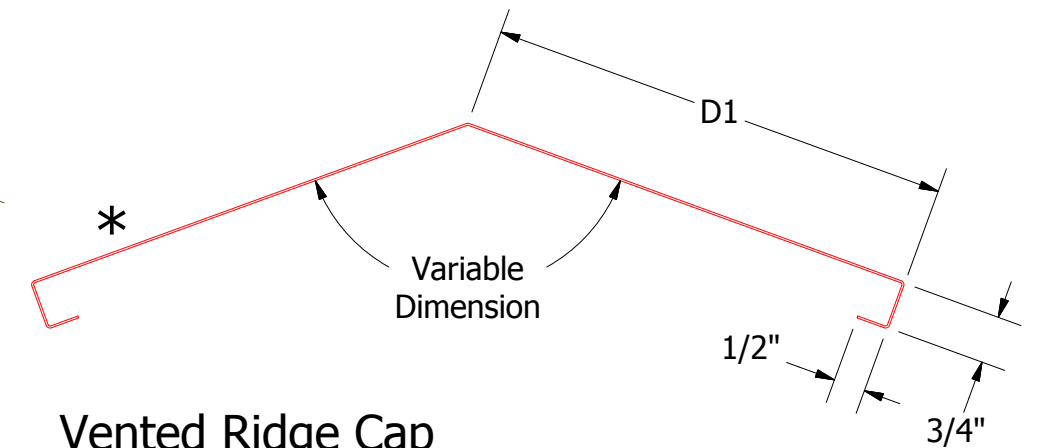
Note: Start/End Vented Z Closure runs with at least 2'-0" of Non-Vent Z Closures.



Factory Vented Pre Notched Z Closure

- 11" Panel** - Factory Vented Pre Notched Z Closure will cover 5 Panels.
- 15" Panel** - Factory Vented Pre Notched Z Closure will cover 4 Panels.
- 19 1/4" Panel** - Factory Vented Pre Notched Z Closure will cover 3 Panels.

Note: Neoprene Closures are not required if Factory Pre Notched Z Closures are utilized.



MDA911-Vented Z Closure

Vented Ridge Cap

- MDA322-2:12 to 6:12 Slope
D1=7 1/4"
- MDA324-6:12 to 9:12 Slope
D1=8 1/4"
- MDA326-9:12 to 12:12 Slope
D1=9 1/4"

		ATAS INTERNATIONAL, INC Allentown PA 610-395-8445 Mesa AZ 480-558-7210	
		TITLE Dutch Seam Vented Ridge Detail	
DWG. NO.	DR	DATE	DATE
	KRK	2/5/2015	
MATERIAL		SH. SIZE	SCALE
		B	X:X

REV. NO.	DATE	DESCRIPTION OF REVISION	BY	APP