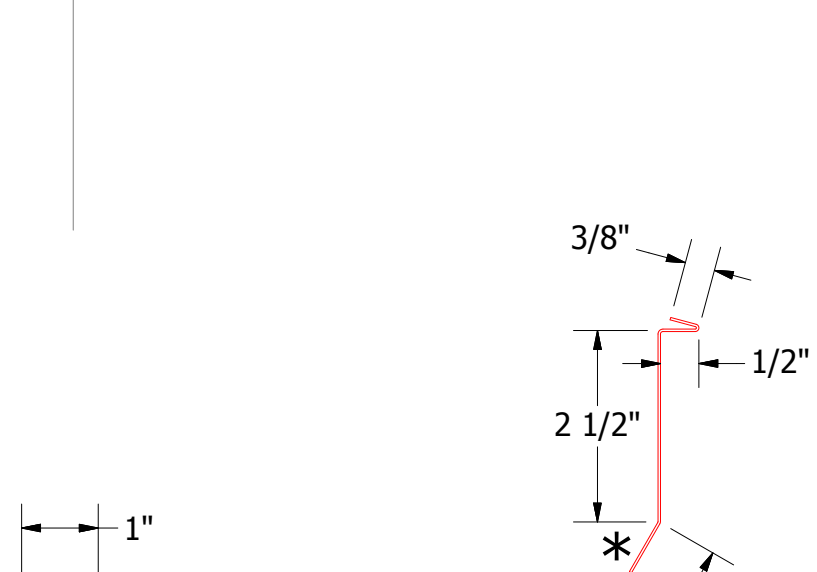


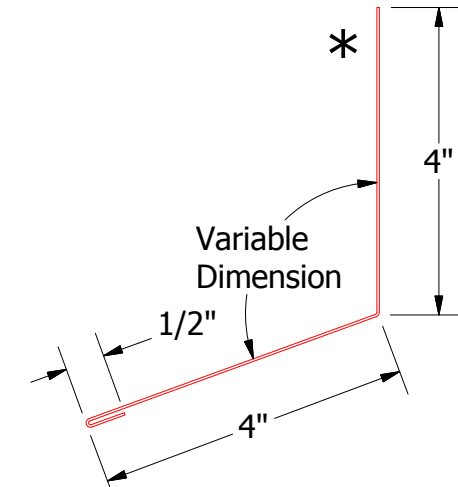
Factory Pre Notched Z Closure

- 11" Panel** - Factory Pre Notched Z Closure will cover 5 Panels.
- 15" Panel** - Factory Pre Notched Z Closure will cover 4 Panels.
- 19 1/4" Panel** - Factory Pre Notched Z Closure will cover 3 Panels.

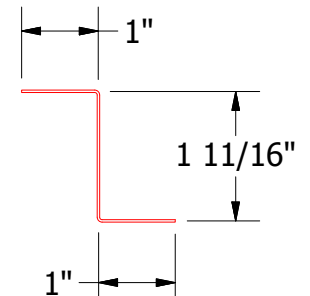
Note: Neoprene Closures are not required if Factory Pre Notched Z Closures are utilized.



MDA980-Counterflashing



MDA500-Headwall Trim



MDA910-Z Closure

REV. NO.	DATE	DESCRIPTION OF REVISION	BY	APP

ATAS ATAS INTERNATIONAL, INC
 Allentown PA
 610-395-8445
 Mesa AZ
 480-558-7210

TITLE **Dutch Seam Headwall Detail**

DWG. NO.	DR	DATE
	KRK	1/27/2015
MATERIAL	APP	DATE
SH. SIZE	B	SCALE
		X:X