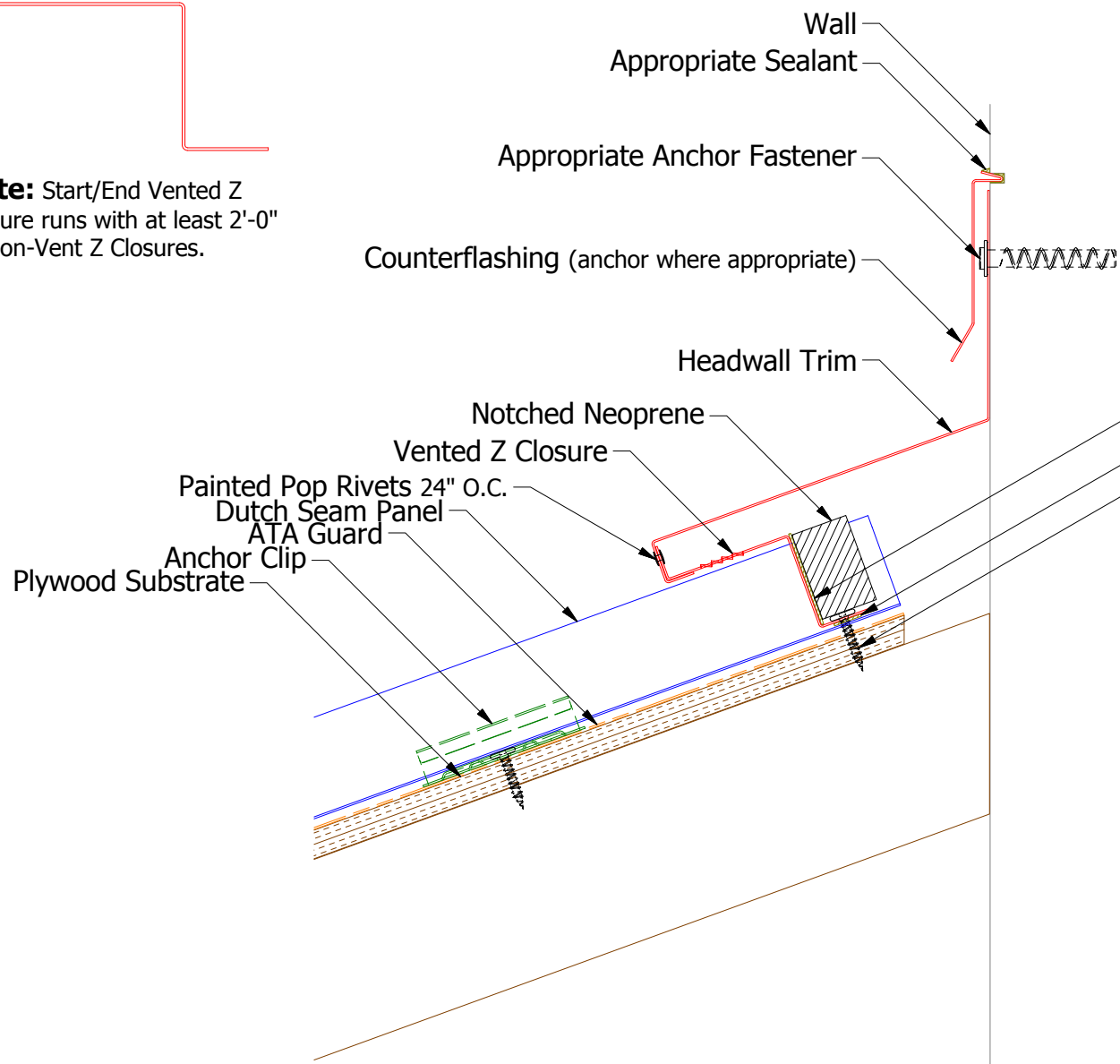
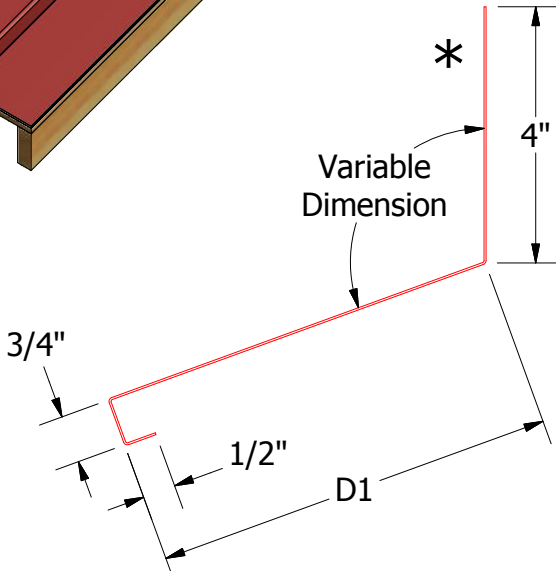
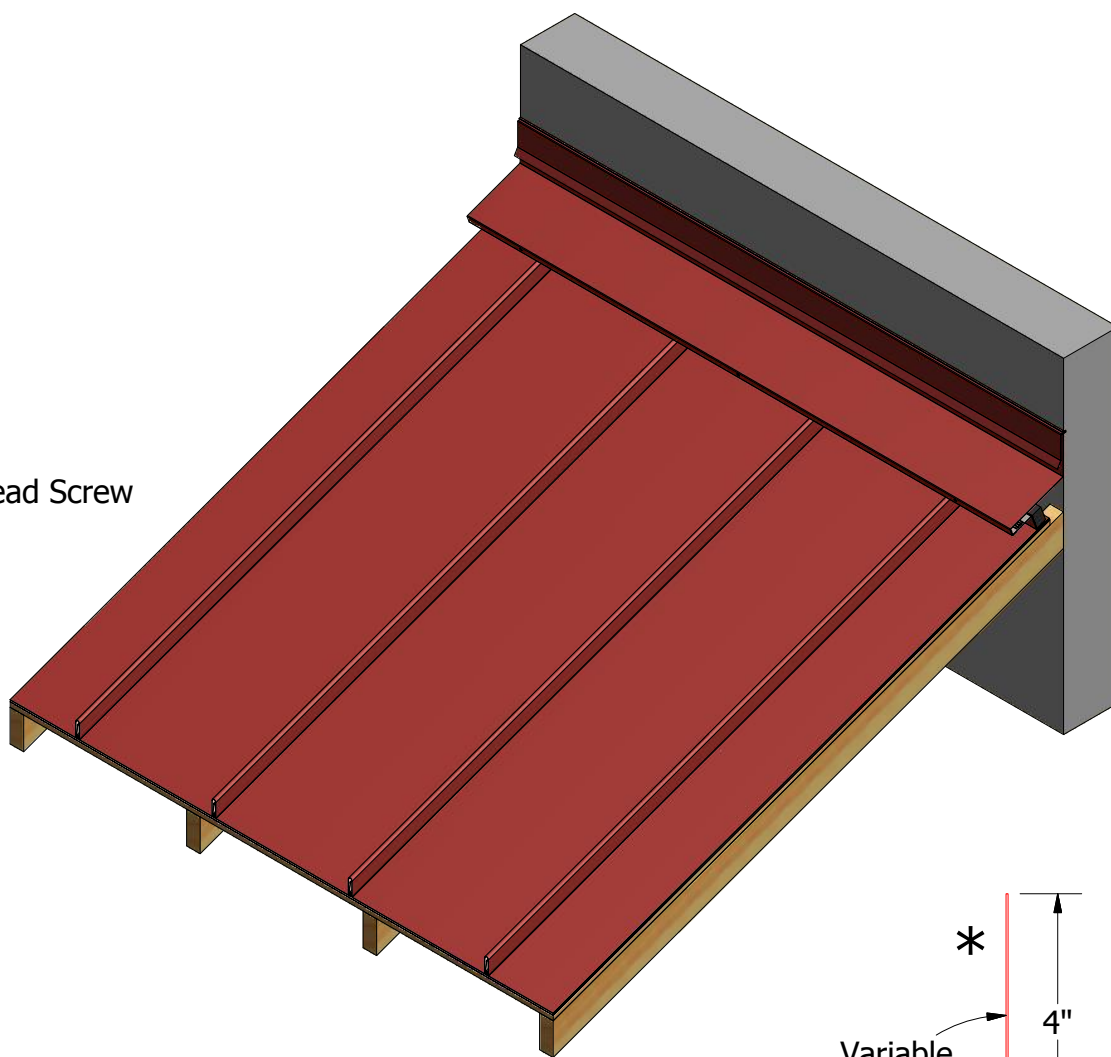


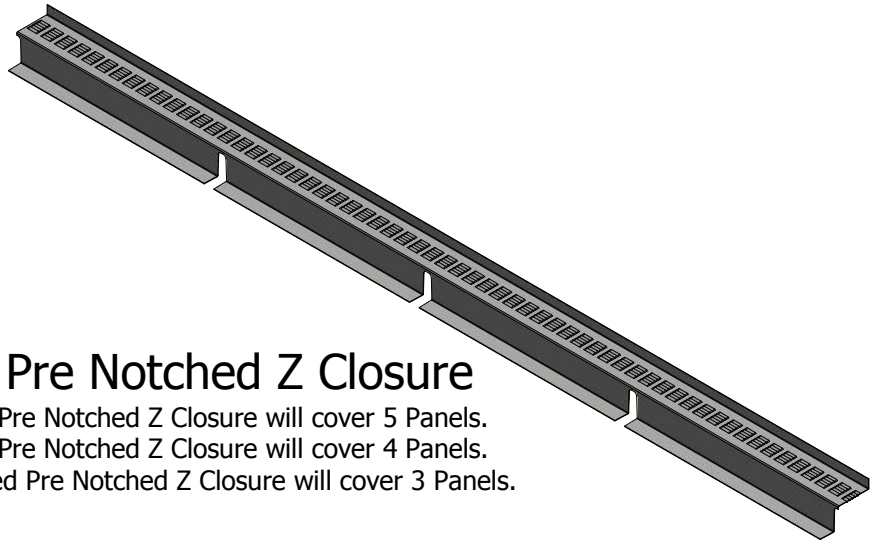
Note: Start/End Vented Z Closure runs with at least 2'-0" of Non-Vent Z Closures.



Appropriate Sealant
Butyl Tape
#10-13 x 1" Wafer Head Screw

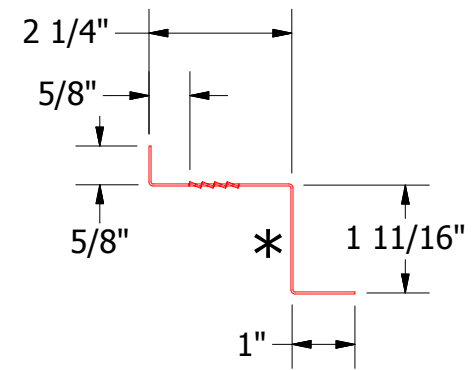


Vented Headwall Trim
MDA510-2:12 to 6:12 Slope
 D1=6 1/2"
MDA514-6:12 to 12:12 Slope
 D1=7 1/2"

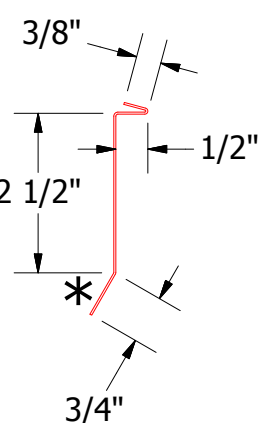


Factory Vented Pre Notched Z Closure

11" Panel - Factory Vented Pre Notched Z Closure will cover 5 Panels.
15" Panel - Factory Vented Pre Notched Z Closure will cover 4 Panels.
19 1/4" Panel - Factory Vented Pre Notched Z Closure will cover 3 Panels.



MDA911-Vented Z Closure



MDA980-Counterflashing

Note: Neoprene Closures are not required if Factory Pre Notched Z Closures are utilized.

ATAS ATAS INTERNATIONAL, INC
 Allentown PA
 610-395-8445
 Mesa AZ
 480-558-7210

TITLE
Dutch Seam Vented Headwall Detail

REV. NO.	DATE	DESCRIPTION OF REVISION	BY	APP

DWG. NO.	DR	DATE
	KRK	2/3/2015
MATERIAL	APP	DATE
SH. SIZE	B	SCALE
		X:X